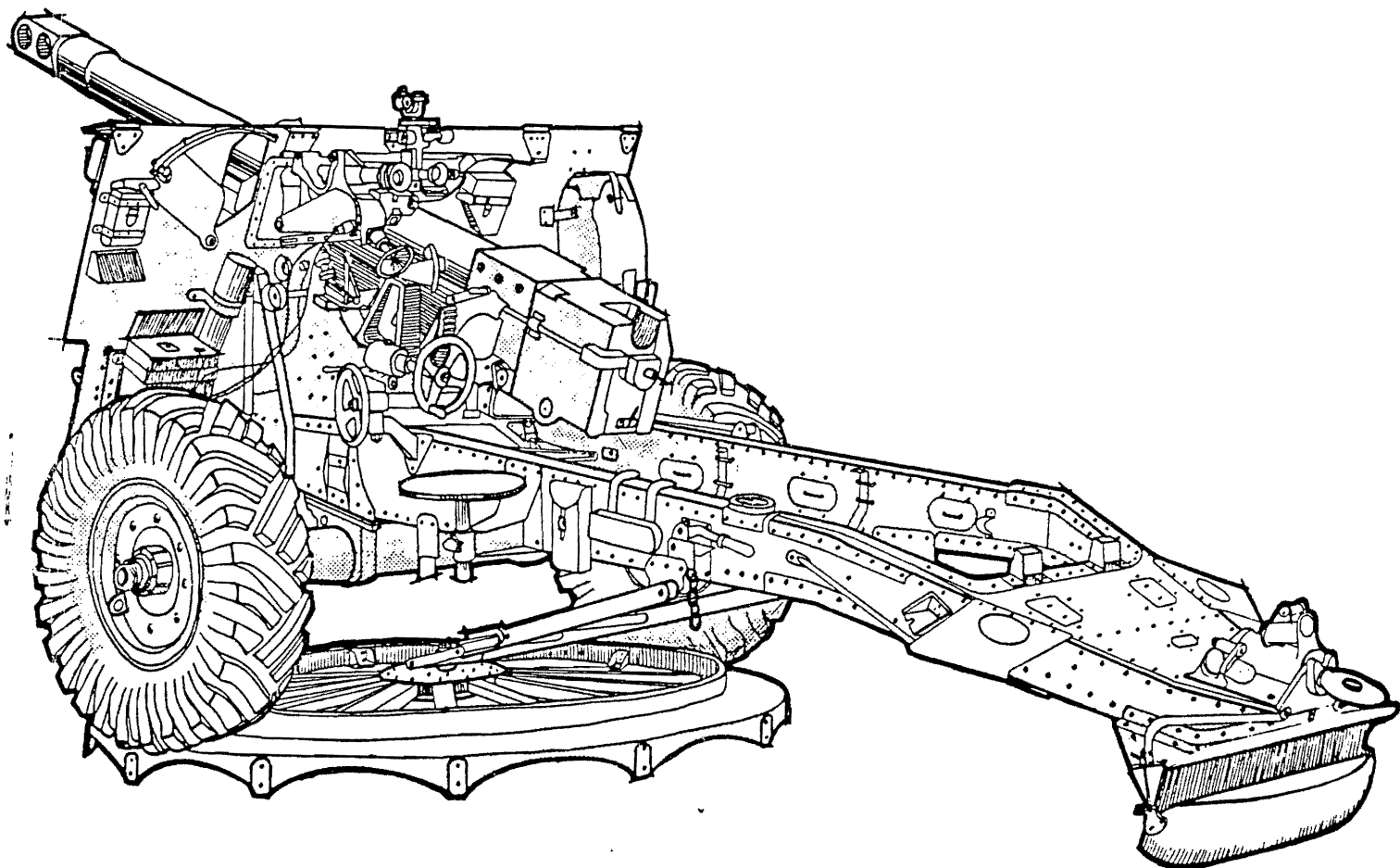




Royal Australian Artillery



Liaison Letter

Edition 1 1991

Distribution:

DARTY	117	
HQ LC Arty	1	
HQ 1 Div Arty	1	
HQ 2 Div Arty	1	
1 Fd Regt	10	3
2/10 Mdm Regt	10	3
4 Fd Regt	10	3
5/11 Fd Regt	10	3
7 Fd Regt	10	3
8/12 Mdm Regt	10	3
16 AD Regt	10	3
23 Fd Regt	10	3
7 Fd Bty	4	1
16 Fd Bty	4	1
48 Fd Bty	4	1
131 Div Loc Bty	6	1
School of Arty	10	5
P & EE Port Wakefield	3	1
P & EE Graytown	3	1
COL COMDT	6	
RAA Associations	2 (per Assoc)	7
RAA Historical Society	2	1

Cambodia 4

Ft SILL
BLISS

LARKHILL

A MESSAGE FROM THE DIRECTOR

Dear Fellow Gunners,

The main issue discussed in the first half of this year has been the Force Structure Review which culminated in the Minister's Statement in May. You will all have been addressed by commanding officers on the broad decisions in the Review particularly those affecting the RAA.

The main changes are:

1st Field Regiment converts to Ready Reserve progressively over five years commencing 1 Jan 92. All three batteries will be Ready Reserve and support Ready Reserve Battalions in 6 Brigade. About 25% of the Regiment will remain ARA.

The batteries of 8/12th Medium Regiment will continue to support their infantry battalions, 3 RAR and 5/7 RAR but will become independent batteries when the medium battery is relocated to Darwin, currently planned for later in the decade. Headquarters of 8/12th Medium Regiment may be reduced but remain in location for some years yet.

16th Air Defence Regiment will be one of only two units outside 6 Brigade to have Ready Reserve. Over five years from 1992, it will convert its ARes, ARes (Special Conditions) and approximately 30 ARA positions to Ready Reserve.

131st Divisional Locating Battery will have a reduced ARA Component which will command the battery and provide support to the ODF, and an ARes element to support the ARes and Ready Reserve Brigades.

Training Command is to lose approximately 20% of its manpower and this percentage is likely to be applied to the School of Artillery. Options to make the changes necessary will be examined over the next 12 months.

On the positive side, the Headquarters of 6/13th Field Regiment in Adelaide is to be authorised with 16th Battery in Tasmania and 48th Battery in Adelaide coming under command. Also one field battery to support 11 Brigade is authorised.

The arrangements for these changes will be detailed in a Land Command Implementation Plan to be issued later this year.

On other matters, the detachments of 111 Air Defence Battery (Light) aboard the HMAS Success and HMAS Westralia returned safely recently, with their reputations enhanced and the RAN very aware of the units capability and flexibility. The unit reacted to the task at very short notice and

has received many compliments on their performance. Congratulations to all involved.

Lieutenant Colonel Andy Hodgkinson also deployed to the Gulf heading the British Army Technical Intelligence team. He has addressed several units on his assessment on the Iraqi artillery and his experiences.

I have represented the Regiment at a number of parades this year. The parade to mark the amalgamation of 2/15th Field Regiment and 10th Medium Regiment was held at the Batman Avenue Barracks in April. Although the loss of a regiment is not a happy occasion, the parade was a success and well attended by guests and families. Both 22 Field Battery (from 2/15th Field Regiment) and 38th Medium Battery (from 10th Medium Regiment) performed extremely well on their ARTEP exercise this year, congratulations.

This month I attended the parade in Townsville to make the award of the US Unit Meritorious Commendation to the 1st Battalion Group earned in South Vietnam in 1965/66. 105 Field Battery was part of the Battalion Group and was represented on the parade in a composite guard comprising gunners, engineers, tankies and aviators and, with a detachment of 161 Field Battery RNZA, manned the guns holding ground for the Battalion Group. All original members of 105 Field Battery and those serving in 105 Field Battery are entitled to wear the Unit Meritorious Commendation on their right breast, congratulations.

Also this month I attended the parade to mark the award of the Freedom of Entry to the Municipality of Rockdale to 23rd Field Regiment. The Regiment is held in high regard in the community and a number of the aldermen on the Rockdale Council, including the Mayor, are former members of the Regiment. Preparation for such an occasion places considerable demands on a unit and all involved are congratulated on a most successful day.

The Corps Conference is being held at North Head from 7 to 9 November with the Master Gunner, St James' Park, General Sir Martin Farndale addressing the Conference on the first day.

Finally, the RAA National Museum is open every Saturday and Sunday from 10am to 4 pm and attracting good numbers. In addition many service groups in Sydney are making visits during the week. If you haven't seen the Museum yet, take the opportunity next time you are in Sydney.

Ubique



R.V. McEVOY

Colonel

Director of Artillery

NOTES FROM THE SO1 ARTY

1. There are a number of issues currently before DARTY relating to Training Requirement Adviser (TRA) and Training Adviser (TA) responsibilities. For those who are unsure of these definitions, the TRA is appointed to decide how many students need to be trained each year on what type of course. The need for a new course is also in the TRAs area of responsibility. The TA on the other hand determines the content of courses. In general, HQ Trg Comd is the TA for non Corps courses with MS and SCMA the TRA. DARTY is the TRA and TA for RAA courses.

2. DARTY in conjunction with Land Command Units, conducted a review of ARA Officer Training in 1990. The review confirmed that we are on the right track with the progression, style and content of our courses. A few changes were considered necessary and have been included in a rewrite of specifications. Concurrently, a study on ARes Officer Training was conducted in Nov 90 with interim training specifications issued in Dec 90. Formal adoption of the review recommendation will be held pending the outcome of the Force Structure Review (FSR) and an analysis of the FSR impact on Officer Training.

3. DARTY is to conduct a major review on RAA Other Rank Training in 1991. The review will examine career progression, as it relates to training, course design and content. The reviews will be dispatched for comment in Aug 91, discussed by an experienced panel in Oct 91 and results issued in Nov 91.

A WORD FROM THE REGIMENTAL MASTER GUNNER

1. Recently I attended a reunion of the 4th Field Regiment (South Vietnam) Association. The reunion was held in Townsville and hosted by 4th Field Regiment. In 1967-68 the gun batteries were 106 and 108, while on the second tour, 106 and 107 were in action. Headquarter Battery was of course operational in both tours and 161 Battery (RNZA) was under command of the Regiment during both trips.

2. The reunion, which lasted a week, was attended by nearly ninety members, their wives and children. The week was a great success mainly due to the efforts of 4th Field Regiment and in particular, 108th Field Battery. Perhaps the highlight of the week for some was the trip to High Range with 108 Battery, and the chance to man the guns during live firing. It was over 20 years in some cases since many had been that close to a gun, but it didn't take long to get the old routine back. One old BQMS - who shall remain nameless, reckons the Hamel gun is nearly as good as the 25 Pounders he used to be a layer on.

3. One thing that was highlighted during the week was the actual lack of recorded history of the Regiment's time in South Vietnam. Many individuals have lots of photos and slides, but there is very little written. This lack of

recorded history is about to be rectified, but it will take someone many hours of research to come up with a history and even then, much could be missed.

4. Similar things are happening today. Here at DARTY we maintain the annual reports from all RAA Units, but some are very brief and sketchy, some I must admit are very good and include press cuttings, nominal roles etc. My point is that today's events are tomorrow's history and unless we record significant events, some poor blighter in 20 years time will have to start all over again.

5. Speaking of history, the RAA Museum is going from strength to strength. Anyone who could spare a few hours every couple of months and would like to be a guide at the museum, get in touch with me and we'll work something out. The job can be very rewarding and anyone can have a go. Civies are worn by all guides so rank doesn't matter at all.

6. Recent happenings at the Museum include the engines from the graveyard being moved down to the engine room, the acquisition of another search light, and work has now started on restoration of the old Number 4 Mark 7 Radar. There is still a long way to go with the Museum, but it's not all going to happen overnight. While money and a labour force are key elements to the Museum's future, your support - at all levels - is vital to the preservation of RAA History.

7. A lot is said by "old" soldiers about the young soldiers of today. What a lot of "old" soldiers forget is that they were once young gunnies or officers themselves. Many were in more trouble than Flash Gordon, but went on to prove themselves - some in action - as they matured. One of the old soldiers at the reunion in Townsville summed it up by saying "the soldiers of today are as good as, if not better, than the soldiers of our era". Given the chance, the "young" soldiers will prove themselves, and go on to be "old" soldiers of tomorrow.

Good Shooting.

NOTES FROM SO2 PERS MAJ S. JOSKE

1. It is an interesting year to be the CA Arty/SO2 Pers DARTY in the Military Secretary's Office. There can be no doubt that the Force Structure Review, Defence Regional Support Review and the slowing of promotion to Lieutenant Colonel and Colonel will all have major impact on the Junior Officer Posting Planning Cycle (JOPPC) and individual career aspirations. It is a time of great uncertainty that will need much of our patience, flexibility and understanding. I wish to highlight a number of issues that have, or will have, affected officer's careers:

a. The second MS Newsletter for 1991 has been published and discusses the recent promotion boards. Officers that were considered by a 1991 PAC should contact the AMS1 or the AMS on (06) 265 4122

or 265 5250 respectively for advice on their grading. Officers are encouraged to discuss their clearance grade with their CO and me, or LTCOL Greg Molyneux, should they have any queries.

- b. The JOPPC is currently behind schedule by one month. The effect of this will be to delay the issue of general appointment posting orders until 30 Jul 91. Posting orders for specialist appointments such as overseas exchange, full time study and RMC/ADFA, are being issued as they are confirmed. The JOPPC is currently into Phase II, where MS2 approves the corps nominations for non-corps and corps appointments. This process should be completed by 30 Jun 91.
- c. The process of dispatching back pages of 1990 EDROs is now complete after a delay of several months caused by staff shortages in MS6. If you have not received your back page by 15 Jun 91 you should advise your unit adjutant/2IC who should then advise me and I will arrange for another copy to be dispatched.
- d. Annual Career Assessments (ACA) will be issued for Captains and Majors this year. The reasoning behind the issue of ACA lies in the volumes of the Cross Report. In short it was felt that officers should be provided with an annual assessment of their overall performance, not their performance in the current reporting period. Last year ACA were introduced for Majors only and they took the form of a narrative letter. This was a time consuming exercise and because they were new they underwent three changes of style and format. Hence they were issued too late and were out of date. This year the format is different and I believe it offers more comparative information. I will have the Captain's ACA issued by 3 Jun 91 and the Majors by 30 Jun 91. The fact that we are issuing them early is designed to offer feedback as soon as possible. This has one side effect, that is that you may find the comments on your future employment (the last section of the ACA) may be overtaken by the effects of the Force Structure Review and the Defence Regional Support Reviews. I will notify any officer who is effected as soon as possible. I ask that you critically examine the structure, style and content of your ACA and feel free to provide me with both positive and negative feedback as deemed necessary.

2. I am happy to answer any questions on postings or career matters at any time (telephone (06) 265 5790). All I ask is that you talk to your BC/CO before and after calling, to ensure that they are aware of our discussion and its outcome.

RESIGNATIONS

235790	LT	LR	Murphy	Resign WEF 21 Dec 90	RAA
183538	LT	DR	McKenzie	Resign WEF 08 Jun 90	RAA
325842	CAPT	NR	Sutton	Resign WEF 30 Nov 90	RAA
49660	CAPT	TJ	Croft	Resign WEF 11 Mar 90	RAA

225799	CAPT	SN	Yates	Resign WEF 19 Jan 90	RAA
55086	CAPT	RV	King	Resign WEF 07 Jan 90	RAA
320843	CAPT	MJ	Brown	Resign WEF 25 Jun 90	RAA
5411600	MAJ	GK	York	Resign WEF 24 Feb 91	RAA
147636	MAJ	HJ	Dicks	Resign WEF 03 Mar 91	RAA
352867	MAJ	DJ	Barrow	Resign WEF 25 Jan 91	RAA
218377	MAJ	JRJ	Orr	Resign WEF 19 Aug 90	RAA
15972	MAJ	DD	Rose	Resign WEF 07 Mar 90	RAA
39519	MAJ	GG	Hill	Resign WEF 08 Jul 90	RAA
312188	MAJ	CNP	Gordon	Retire WEF 18 Feb 90	RAA
2412599	MAJ	JA	Lewis	Resign WEF 30 Sep 90	RAA
218235	MAJ	DA	McInnes	Resign WEF 01 Mar 91	RAA
18257	MAJ	AJ	Campbell	Resign WEF 05 Aug 90	RAA
2788302	MAJ	JD	Fentiman	Resign WEF 14 May 90	RAA
43613	LTCOL	JC	Martin	Retire WEF 18 Feb 90	RAA
511391	LTCOL	JR	Jauncey	Retire WEF 16 Feb 90	RAA
311736	LTCOL	MJ	Hammerton	Retire WEF 09 Mar 90	RAA
2707484	LTCOL	AR	Main	Resign WEF 28 Nov 90	RAA
1200419	LTCOL	PN	Busby	Retire WEF 18 Feb 90	RAA
56183	LTCOL	RV	Jacques	Resign WEF 28 Jan 91	RAA
	LTCOL	B	Lans	Retire WEF Jun 91	RAA

CA RAA SCMA PERS NOTES

RSM Course

1. There is a possibility that two RSM Courses will be conducted in 1992. In the past WO2 in either RSM or BSM equivalent positions have been nominated to attend the course. With an increased Corps individual training requirement it is expected, in the long term, that WO2 in their second appointment will be panelled for the course.
2. It is a requirement to qualify on the RSM's course prior to an appointment as an RSM in the RAA.
3. DARTY have suggested that the course syllabus be examined and reduced from ten to eight weeks.

Farewell to WO1 "Junior" Suthers

4. The RAA have not only the senior soldier in the RSM of the Army but also the senior soldier in length of service in the Army. WO1 'Junior' Suthers has taken his retirement after more than 37 years service in the RAA. The Corps wishes both Junior and Beryl well for the future, they are currently building and intend settling in the Canungra area.

PSO Congratulations

5. Congratulations to the following successful 1991 PSO candidates:
 - a. WO1 P.J. Bruce, OAM, to be posted Career Adviser, SCMA;
 - b. WO1 P.K. Dover to be posted QM 131 Divisional Locating Battery;
and
 - c. WO1 G.J. Ford to be posted QM 23 Fd Regt.

The Annual RAA Promotion Series

6. At the Annual Promotion Series, all soldiers who are qualified for promotion to SGT or above by 30 June of the current year and who are recommended on their last annual PR66 are considered for promotion. It is a fact of life that not everyone can be promoted and that some soldiers who perhaps feel they deserve promotion, will not be promoted. They may be good quality soldiers, but there are limits to the number of establishment positions available. Generally there are many good soldiers available to fill positions, although some ECN and ranks are occasionally in short supply. Therefore, everyone must be given equal consideration and only the best soldiers are selected for promotion. That is why the promotion system is based on merit. To maintain a small, quality force ready for war requires that only the best be promoted.

7. Prior to the Promotion Series the Career Advisers RAA and the SO2 independently conduct a review of all soldiers recommended for promotion and develop their own recommendations for clearance for promotion. They examine:

- a. quality and consistency of performance, particularly over the last three years;
- b. the written comments contained in the report especially those made by the soldier's CO;
- c. the experience the soldier has gained in trade and rank;
- d. performance on courses:
 - (1) Subj 1 provides an evaluation of the soldier against his peers in an all corps environment;
 - (2) Subj 4 gives an indication of trade ability.
- e. any offences, including when they occurred, the nature of the offence and penalty imposed;

- f. the unit and job in which the soldier was employed;
- g. any compassionate or medical circumstances which may have effected performance;
- h. any information regarding the harshness or leniency of the Assessing Officers or Commanding Officers; and
- i. the soldier's peers to gain a perception of relative merit.

The Personnel Advisory Committee (Other Ranks) (PAC(OR))

8. Once the independent review has been completed, the PAC (phase 1) meets. Headed by the SO1 of PM GP, the PAC (Phase 1) includes the career Advisers, RMG and the SO2 of PM3, the section of SCMA responsible for the RAA. During the PAC (Phase 1), candidates for promotion are discussed and compared. Following this comparison, adjustments are made to any recommendations and these become the PAC's recommendation to the PAC (Phase 2).

9. While the authority for promotion lies with CO SCMA, a PAC (Phase 2) is formed to assist in the process of ensuring that the principle of merit is applied fairly.

10. The CO SCMA and the PAC (Phase 2) meet immediately after the PAC (Phase 1). The CO SCMA is assisted by DARTY, the CAs, RMG and the SO1 PM GP SCMA. During this process, soldiers are considered for promotion clearance. The recommended adjustments to the promotion recommendations made by the PAC (Phase 1) are considered and any differences of opinion between SCMA and Corps not resolved during PAC (Phase 1) are again discussed before a final decision is made by CO SCMA. The final clearances for promotion are made by CO SCMA.

11. At each level of consideration, the factors examined in paragraph 7 above are again reviewed.

N.B: There is no Reference to numerical scores, only performance statements and wordpictures or appraisals in various forms.

12. When the Promotion Authority has made a determination as to the clearance/non-clearance status of each soldier, PM3 carries out the following action:

- a. If the soldier is cleared and is filling an authorised establishment position at the higher rank, SCMA will raise an RO2 authorising the substantive, provisional or temporary promotion. A Promotion Series result letter may be dispatched if written confirmation is necessary and/or more information should be passed on to the soldier; or

b. If the soldier is not an authorised establishment position of a higher rank, or is not cleared, he may expect a Promotion Series Result letter giving details of this.

Promotion Series Result Letters

13. After the RAA session during the Annual Promotion Series PM3 prepares a letter on each soldier considered, which outlines the details of the clearance/non-clearance and, where appropriate, details of the reasons for the decision under normal circumstances. The letters will be released to the soldier via his CO within four weeks of the conclusion of the corps session.

14. These letters should be used as a basis for counselling your soldiers. The soldier should initial the letter as having seen it and it should then be placed on the soldier's unit personal file.

Order of Promotion

15. Clearance in the Promotion Series does not mean immediate promotion unless the soldier is filling an authorised establishment position of the higher rank. Army needs may result in a soldier being promoted before one or more soldiers who cleared higher. When this occurs, and the soldier/s who cleared higher are not promoted before the next series, the soldier/s will be considered by the Promotion Authority for carry-over of the clearance. If authorised they will be placed at the top of next year's promotion list. This is happening more often as a result of the ACPERS-A three year posting tenure guideline.

16. If a soldier is offered a posting on promotion and refuses that posting for other than accepted compassionate reasons, then the soldier is by passed and the position is offered to the next soldier in line for promotion.

Withdrawal of Clearance

17. **Automatic.** All soldiers who were cleared at the Annual Promotion Series but were not promoted before 1 February of the next year will have their clearance automatically withdrawn. The only exception to this rule is described at paragraph 15 above.

18. **Formal.** Should a soldier be cleared for promotion and later fails to meet the requirements of that clearance or fails to continue to perform at a level worthy of promotion, CO SCMA may order that soldier's clearance be withdrawn.

FIELD ARTILLERY EQUIPMENT UPDATE

Hamel Gun

1. Issue to units of the new 105mm light field gun began in December 1988 when six guns were issued to the School of Artillery. 1 Fd Regt, 4 Fd Regt and 8/12 Mdm Regt have been equipped. This completes Phase 3 of the project, with 59 guns. Other Phase are:

Phase 4. The production of 46 guns for the ARes was approved in the 1986/87 Budget. The proposed issue schedule is:

- * School of Artillery - 1 gun in Aug 91;
- * 5/11 Fd Regt - 6 guns in Oct 91, and
6 guns in Dec 91;
- * 7 Fd Regt - 6 guns in Mar 92, and
6 guns in May 92;
- * 23 Fd Regt - 6 guns in Jul 92, and
6 guns in Sep 92.

Phase 5. The mandatory purchase of 10 000 rounds of Abbot Mk2 ammunition from the UK is complete.

Phase 6 and 7. These phases seek the Australian production of Abbot MK2 ammunition and the establishment of a Capability Reserve (CR). The phases are beyond the Five Year Development Plan (FYDP), and have not been approved.

Phase 8. The production of a further 43 guns for the ARes is covered by this phase. Again, the phase is beyond the FYDP.

Computer, Fire Control (CFC) / Portable All Arms Calculator (PAAC)

2. CFC and PAAC both refer to the same piece of equipment which is a hand held, special purpose computer which provides data for artillery fire control. Within the RAA, PAAC will remain as the commonly referred to name. In 1 Div, PAAC will be the back-up for the batteries equipped with IGC and eventually FACCS. For the ARes it will be the principle form of computing. PAAC uses software developed by the Proof & Experimental Group and the Defence Science and Technology Organisation (DSTO), with hardware produced by the Engineering Development Establishment and British Aerospace Australia (BAeA). The School of Artillery has been involved in software production and validation.

3. Conversion training for PAAC by a mobile team of instructors from the School of Artillery will start with the issue of PAAC, expected in late 1991.

Interim Gunnery Computer (IGC)

4. This artillery computer is an interim replacement for FACE until FACCS is available. The computer will use 'off-the-shelf' hardware and the software developed for PAAC. The IGC has a greater capacity than PAAC, with features that include:

- * the ability to interchange software in the field;
- * larger memory;
- * target records;
- * fire planning capability including a print-out;
- * bigger and better screen display; and
- * ability to exchange information between IGC's.

5. IGC should be introduced in RAA Regiments in early 1992.

Field Artillery Computerised Control System (FACCS)

6. The requirement for a computerised fire control system for artillery is being developed through FACCS. The central element of FACCS will be a ballistic computer at the field artillery batteries. In addition, an automated system of computers will be located in divisional, brigade, regimental, battery, and locating troop command posts. Interactive Hand Held Terminals (HHT) will be provided for remote cells, such as command parties and OP's. All equipment will be compatible with AUSTACCS.

7. A FACCS Test Bed has been established at the Artillery Centre. The Test Bed staff will produce the User Requirement Specifications, test prototypes for the man-machine interface, and co-ordinate DSTO research tasks. In addition, six monthly Progress Reports are produced. DSTO have given the project a high priority and have placed an engineering officer at the Test Bed to assist with the development.

8. FACCS will replace IGC. The planned date for issue is 1995-6.

Muzzle Velocity Measuring Equipment (MVME)

9. The MVME has replaced the obsolescent EVA radar. The doppler radar, which is either tripod mounted or can be fitted to the barrel of a gun, will measure the velocity of fired rounds. Fairey Australasia developed the equipment from in-service Firing Tables. Two MVME are allocated to each ARA Regiment, and six are located at the School of Artillery for training and use by the ARes.

Fall Of Shot Simulator (FOSS)

10. FOSS was developed by the Scientific Adviser at HQ 1 Div with assistance from 1 Fd Regt in 1984. BAeA has taken over the development of the project, with the Commonwealth to receive royalties from sales. The system consists of an inexpensive computer, slide projector, video projector, screen and tape readers; and will simulate indirect fire missions. FOSS I is in-service with:

- * RMC,
- * 1 Fd Regt,
- * 4 Fd Regt,
- * 8/12 Mdm Regt,
- * Inf Centre,
- * Avn Centre,
- * Armd Centre (purchased by Unit), and
- * Trg Gp's.

11. FOSS II has been issued to the following units:

- * RMC,
- * 1 Fd Regt,
- * 4 Fd Regt,
- * 8/12 Mdm Regt, and
- * Inf Centre.

12. Software upgrades to FOSS II are continuing, although it should be noted a Fire Planning capability is not available, nor is there a capability for amendments during the sequence. BAeA are addressing this deficiency as part of the contract, and at no cost will upgrade the software for the Commonwealth.

13. DArty has raised an Equipment Entitlement Variation (EEV) to upgrade FOSS to FOSS II. A redistribution will result. It will be recommended that the latest versions have a 'PC Viewer (Electroboard)' for use with an Over Head Projector machine. Depending on costs, these items could be introduced in mid 1992.

Impulse Noise Hearing Protection

14. This is a long term project to provide equipment for the protection against the impulse noise of artillery. DSTO have gathered scientific evidence, especially conclusive medical results, to support the project. A proposal for equipment procurement is currently being drafted.

Capability Analysis Papers

15. Brief mention needs to be made of Capability Analysis Papers because they are a major project for the Directorate, and therefore the RAA. Although the development of these papers is the responsibility of Force Development in HQ ADF, much assistance has to be obtained from the Heads of Corps. The papers will influence the direction of the RAA in the future, so it is imperative they are well planned, researched and persuasively written. It will be just as important that other RAA organisations collaborate in their development to guarantee the best solution. From the Capability Analysis Papers, deficiencies can be identified and options offered to resolve deficiencies.

16. In the ADF the process of changing the structure of the 'force-in-being' is by the process of Force Development. Strategic guidance now clearly directs the ADF's attention to operations in the defence and security of Australia. Therefore, through Capability Analysis Papers the RAA must address its military capabilities, and they include:

- * organisation,
- * doctrine,
- * materiel,
- * training,
- * readiness,
- * sustainment,
- * facilities, and
- * logistics.

17. The Directorate has started on the first of these Papers, titled Indirect Fire Support. The aim of the paper is to analyse the requirement for artillery in accordance with Australia's Defence Policy. In addition, papers on artillery survey and ammunition are being written and others will follow.

WHY DIDN'T YOU CALL!!!!!!

18. Finally, although most problems and issues become known to us in time, and are addressed through the chain of command, if you wish to discuss a matter please call. As the advertisement states WE ARE ONLY A PHONE CALL AWAY.....

Tel MAJ John Platt SO2 Surface to Surface (Plans) 976 1273
MAJ Roy Davies SO2 Surface to Surface (Operations) 976 1305

AIR DEFENCE EQUIPMENT UPDATE

Force Structure Review

1. The Air Defence Capability was confirmed by the Force Structure Review in Mar 91. The manpower question remains unresolved with changes probable in the near future.

Rapier

2. MEA and EDE are continuing to examine the reason for Rapier equipment/missile failures in past firings. It is noted that the 110 AD Bty Rapier firings from 6-8 May 91 achieved an 85% success rate.

Rapier Mode IV IFF

3. The Army Development Committee (ADC) is scheduled to consider the proposal for Mk 12 Mode 4 IFF systems on 21 Nov 91. With the life of Rapier equipment being approved to the year 2000, the procurement of Mode IV IFF has been given a high priority by DARTY-A as a necessary means to make Rapier compatible with other ADF IFF users.

VLLADS Alerting And Cueing System (VACS)

4. The Army Capability Proposal (ACP) was considered by the ADC in Mar 91 with the requirement being acknowledged. Although being upgraded to a major capability requirement, it is anticipated that money will be allocated in 92/93 for its procurement. VACS is again being considered by the ADC on 3 Oct 91. Work on procuring night sights for RBS 70 is also continuing.

Rapier Target Tracking Trainer

5. The unreliability and high servicing costs associated with the Tracker Trainers held at the AD Wing and 16 AD Regt has resulted in DARTY-A submitting an EEV for its replacement. It is possible that it will be replaced by a system similar to that used in the UK known as the Rapier Classroom Air Defence Tracker Trainer which requires minimal maintenance and instructor support.

RAA CORPS SHOP

1. The items listed below are for sale in the Corps Shop. The prices listed are subject to change without notice. It is suggested that the Corps Shop be contacted prior to ordering to confirm the price of items being ordered. We will endeavour to keep you updated with price changes and additions to stock.
2. The Shop is open for business between 1230 hr and 1330 hr Monday to Friday each week. Contact for the shop is BDR Thompson on 976 1215 or during working hours 976 1241.
3. Phone orders are to be placed through WO2 Abel or WO2 Kilgour on 976 1304 and 976 1127 respectively during work hours.
4. Any enquiries regarding items of stock can be made by contacting BDR Thompson.

1.	Artillery Flag	\$116.00
2.	Artillery Standard	\$170.00
3.	Ashtray Glass with Arty Badge Print	\$7.25
4.	Badge Arty Brass (sml) with Clips	\$3.40
5.	Badge Arty Brass (lge) with Clips	\$4.50
6.	Badge Marcasite/Silver in Case	\$88.00
7.	Baseball Cap Arty Colours with Printed Badge	\$3.50
8.	Beer Tankard (Pewter) Teak Base with Arty Badge	\$37.00
9.	Beer Tankard (sml) with Arty Badge	\$36.00
10.	Belt Polyester	\$1.50
11.	Beret Kent Small, Medium and Large	\$10.50
12.	Blue Arty Jumpers with Arty Badge	\$33.25
13.	Book Guns Middle Head Georges Heights	\$2.00
14.	Brassard DPU LBDR	\$6.50
15.	Brassard DPU BDR	\$6.50
16.	Brassard DPU SGT	\$6.50
17.	Brassard DPU SSGT	\$7.00
18.	Brassard DPU WO2	\$7.00
19.	Brassard DPU WO1	\$7.00
20.	Cam Rank LTCOL DPU	\$6.50
21.	Cam Rank MAJ DPU	\$6.50
22.	Cam Rank CAPT DPU	\$6.50
23.	Cam Rank LT DPU	\$6.50
24.	Cam Rank WO1 DPU	\$3.80
25.	Cam Rank WO2 DPU	\$3.30
26.	Cam Rank SSGT DPU	\$3.30
27.	Cam Rank SGT DPU	\$3.00
28.	Cam Rank BDR DPU	\$2.25
29.	Cam Rank LBDR DPU	\$2.00
30.	Car Sticker 4 1/2 x 3 1/2 Shield Shape Red over Blue with Gold Badge	\$1.70
31.	Chevron LBDR (Poly)	\$0.40

32.	Chevron BDR (Poly)	\$2.25
33.	Chevron LBDR (SD)	\$3.20
34.	Chevron SGT (BD)	\$1.70
35.	Coasters Metal Backed with Felt	\$10.00
36.	Crown SSGT (BD)	\$1.50
37.	Crown WO2 (Poly)	\$1.50
38.	Cummerbunds	\$21.00
39.	Envelop RAA White with Blue Badge on Back Flap	\$0.25
40.	Embroidered Badge in Gold Frame School of Artillery	\$25.00
41.	Embroidered Badge in Gold Frame Royal Australian Artillery	\$24.00
42.	Grenade Marcasite/Silver in Plastic Box	\$81.00
43.	Hat Badge Anodised (Offr)	\$7.00
44.	Hat Badge Anodised (OR)	\$4.50
45.	Hip Flask (Large) in Wooden Case	\$55.00
46.	Hip Flask (Small)	\$40.00
47.	Insignia Collar OR Service Dress (Pr)	\$2.00
48.	Key Ring Black Leather with Blue Badge Medallion	\$3.00
49.	Key Ring Pewter Gun	\$6.00
50.	Lackies	\$1.50
51.	Lanyard White	\$3.10
52.	Lighter "ZIPPO" Plain	\$25.00
53.	Lighter "Jerrycan" Fluid Type	\$6.00
54.	Paper 10 x 8 White Blue Arty Badge Printed on Top Corner	\$0.08
55.	Paper 5 x 8 White with Blue Arty Badge Printed on Top Corner	\$0.08
56.	Plaque Royal Australian Artillery with Plate	\$32.80
57.	Plaque Wooden with Pewter Arty Badge	\$20.00
58.	Print North Head Entrance	\$0.20
59.	Prints Arty Officers Set of 6 plus Information Sheet in Plastic Envelope	\$5.00
60.	Pewter Figures	\$42.00
61.	Pewter Pen Set with Figure	\$57.00
62.	Pewter Pen Set	\$28.00
63.	Shoe Shine	\$5.50
64.	Slides Officer Green Various (Pr)	\$9.10
65.	Studs Officer Gold (Small)	\$8.30 each
66.	Studs Officer Gold (Large)	\$8.30
67.	T-Shirt Arty	\$11.00
68.	Tie Royal Australian Artillery 3 Months Delay on Ties	\$12.00
69.	Title Anodised RAA	\$4.50 pr
70.	Wallet Leather	\$25.90
71.	Wallet Vinyl	\$5.30
72.	Wallet Camouflage	\$4.60
73.	Artillery Address Book	\$13.00
74.	Set of 4 D's	\$0.50
75.	Gunners Do It With A Bigger Bang Sticker	\$1.75
76.	Bag Arty with Badge	\$25.00
77.	Vest Cam	\$40.00

**WO/SNCO MANNING
AS AT 29 MAY 91**

WO1	PJ	Prewett, OAM	Office of CGS (AO)
WO1	TG	Hampton	Local Admin (AO)
WO1	KD	Browning	LHQ
WO1	G	Mason	HQ Trg Comd
WO1	ME	Whiteley	HQ 1 MD
WO1	JAA	Hodgson	HQ 2 MD
WO1	PC	Kline	HQ 3 MD
WO1	RJ	Brearley	DSU Rockhampton
WO1	BW	Plant	DSU Liverpool
WO1	RJ	Cook	SCMA
WO1	MC	Warren	SCMA
WO1	BE	Flewell-Smith	DSU Sydney
WO1	GG	Brown	4 Trg Gp
WO1	DJ	Devine	1 Trg Gp
WO1	P	Cimbaljevic	HQ 1 Div Arty
WO1	GJ	Ford	1 Fd Regt
WO1	K	Martin	1 Fd Regt
WO1	GL	Carroll	2/10 Mdm Regt
WO1	JS	Hansen	2/10 Mdm Regt
WO1	DR	Bowden	4 Fd Regt
WO1	SR	Finch	4 Fd Regt
WO1	DW	Bowman	7 Fd Regt
WO1	KE	Williams	7 Fd Regt
WO1	GJ	Johnstone	23 Fd Regt
WO1	GV	Field	5/11 Fd Regt
WO1	H	Lynas	131 Div Loc Bty
WO1	PK	Dover	8/12 Mdm Regt
WO1	HF	Watson	8/12 Mdm Regt
WO1	GD	Chillingsworth, OAM	16 AD Regt
WO1	GT	Sobey	16 AD Regt
WO1	RJ	Hayes	School of Arty
WO1	JW	Holder	School of Arty
WO1	CJ	Jobson	School of Arty
WO1	PJ	Bruce, OAM	HQ Arty Centre
WO1	BE	Johnston	HQ Arty Centre
WO1	IR	Marston	LWC
WO1	JE	Suthers	LWC
WO1	JD	Mulholland	2 ARU
WO1	GJ	Floyd	P & EE Port Wakefield
WO1	NM	Goller	P & EE Port Wakefield
WO1	VW	Shields	P & EE Port Wakefield
WO1	RJ	Chaney	P & EE Graytown
WO1	HKJ	Pregnell	P & EE Graytown
WO1	RG	Bell	HQ Trg Comd

WO2	MA	Pasteur	DCGS Div
WO2	LKP	Ramsdale	DCGS Div
WO2	JR	Anderson	HQ LSF
WO2	CJ	Cocking	HQ 9 Bde
WO2	SD	Walters	HQ Trg Comd
WO2	PW	Kam	HQ 1 MD
WO2	WJ	Slape	HQ 1 MD
WO2	IB	Leonard	HQ 3 MD
WO2	GB	Leach	HQ 5 MD
WO2	SC	Farmer	DSG NQ
WO2	RJ	Shine	DSU Liverpool
WO2	NA	Campbell	DSU Albury/Wodonga
WO2	KJ	Gibbs	SCMA
WO2	NP	Maher	DSU Singleton
WO2	BT	Palmer	DSU Brisbane
WO2	MD	Tuck	5 Trg Gp
WO2	AG	Chappell	DSU NA
WO2	GJ	Attwater	1 Fd Regt
WO2	RD	Dunlop	1 Fd Regt
WO2	DG	Harvey	1 Fd Regt
WO2	DJ	Kelly	1 Fd Regt
WO2	MJ	Mahady	1 Fd Regt
WO2	BR	McCarthy	1 Fd Regt
WO2	RG	McDowall	1 Fd Regt
WO2	DT	Moran	1 Fd Regt
WO2	BS	Raines	1 Fd Regt
WO2	PR	Steele	1 Fd Regt
WO2	RS	Grant	2/10 Mdm Regt
WO2	MJ	Hayes	2/10 Mdm Regt
WO2	AG	Ingram	2/10 Mdm Regt
WO2	SJ	May	2/10 Mdm Regt
WO2	AH	Renwick	7 Fd Bty
WO2	RB	Field	4 Fd Regt
WO2	AT	Godfrey	4 Fd Regt
WO2	MA	Jones	4 Fd Regt
WO2	RJ	Poppy	4 Fd Regt
WO2	KF	Shoene, OAM	4 Fd Regt
WO2	RW	Shanahan	4 Fd Regt
WO2	PP	Spaulding	4 Fd Regt
WO2	DJ	Toseland	4 Fd Regt
WO2	GJ	Wren	4 Fd Regt
WO2	AS	Fagan	7 Fd Regt
WO2	FW	Fry	7 Fd Regt
WO2	AL	Ward	7 Fd Regt
WO2	LR	Worger	7 Fd Regt
WO2	CM	Page	16 Fd Bty
WO2	TJ	West	16 Fd Bty
WO2	NS	Wheeler	48 Fd Bty
WO2	KM	Clements	23 Fd Regt

WO2	PT	Kennedy	23 Fd Regt
WO2	RA	Scott	23 Fd Regt
WO2	JE	Brown	5/11 Fd Regt
WO2	WG	Franks	5/11 Fd Regt
WO2	GV	Lakey	5/11 Fd Regt
WO2	RJ	Splatt	5/11 Fd Regt
WO2	MJ	Spring	5/11 Fd Regt
WO2	MA	Boston	131 Div Loc Bty
WO2	GR	Brooks	131 Div Loc Bty
WO2	DM	Carroll	131 Div Loc Bty
WO2	MB	Gates	131 Div Loc Bty
WO2	RB	Jones	131 Div Loc Bty
WO2	LG	McMullen	131 Div Loc Bty
WO2	MS	Scott	131 Div Loc Bty
WO2	M	White	131 Div Loc Bty
WO2	SL	Booth	8/12 Mdm Regt
WO2	PE	Gribble	8/12 Mdm Regt
WO2	NR	Hannah	8/12 Mdm Regt
WO2	RJ	Hunt	8/12 Mdm Regt
WO2	TJ	James	8/12 Mdm Regt
WO2	KJ	Kerley	8/12 Mdm Regt
WO2	WL	Parker	8/12 Mdm Regt
WO2	PT	Washford	8/12 Mdm Regt
WO2	WJ	Degenaro	2/10 Mdm Regt
WO2	SJ	Reimers	2/10 Mdm Regt
WO2	RL	Weaver	2/10 Mdm Regt
WO2	JD	Butt	16 AD Regt
WO2	JP	Finochiaro	16 AD Regt
WO2	KW	Hogan	16 AD Regt
WO2	DA	Jones	16 AD Regt
WO2	JJM	Leckning	16 AD Regt
WO2	RJ	Purcell	16 AD Regt
WO2	PE	Thomas	16 AD Regt
WO2	TM	Nolan	111 AD Bty (Lt)
WO2	PA	Matthysen	ADFA (AC)
WO2	TW	Krake	RMC
WO2	GM	Dudycz	C & SC
WO2	AG	Abel	School of Arty
WO2	EK	Bateman	School of Arty
WO2	ID	Biggs	School of Arty
WO2	RJ	Carsburg	School of Arty
WO2	PJV	Cole	School of Arty
WO2	IK	Cossart	School of Arty
WO2	RJ	Deane	School of Arty
WO2	RD	Dunne	School of Arty
WO2	GD	Evans	School of Arty
WO2	HM	Evans	School of Arty
WO2	RI	Fulford	School of Arty
WO2	MH	Gowling	School of Arty
WO2	E	Griffin	School of Arty

WO2	AP	Holm	School of Arty
WO2	CWG	Joseph	School of Arty
WO2	I	Kilgour	School of Arty
WO2	DE	Larter	School of Arty
WO2	D	Martin	School of Arty
WO2	GD	Metcalf	School of Arty
WO2	MA	Neate	School of Arty
WO2	GJ	Nunn	School of Arty
WO2	TA	O'Brien	School of Arty
WO2	VS	Quinn	School of Arty
WO2	KB	Roberts	School of Arty
WO2	WC	Tooke	School of Arty
WO2	MH	Towns	School of Arty
WO2	EJ	Webb	School of Arty
WO2	PT	Winters	School of Arty
WO2	BT	Marshall	School of Infantry
WO2	AD	Battersby	LWC
WO2	SJ	Crawford	LWC
WO2	DA	Robinson	LWC
WO2	BJ	Yovkoff	LWC
WO2	P	Hawula	1 RTB
WO2	AJ	Croot	ArmyTAFE
WO2	RN	Kampmann	Broadmeadows Log Bn
WO2	GS	Morgan	1 ARU
WO2	MMG	Leonard	2 ARU
WO2	MR	Blaxland	3 Army Rec Unit
WO2	BA	Anderson	P & EE Port Wakefield
WO2	GJ	Mitchell	P & EE Graytown
WO2	M	Scott	P & EE Graytown
WO2	GL	Saun	DCP (AC)
WO2	JA	Brewer	4 Trg Gp
WO2	DM	Spain	UL 1 MD
WO2	WG	Johnson	UL 4 MD

SSGT	PN	Schmidt	DSG NQ
SSGT	GR	Ellis	SCMA
SSGT	PK	McDonald	DSU Adelaide
SSGT	CH	Shier	DSU Perth
SSGT	GG	Day	11 Trg Gp
SSGT	DH	Pike	4 Trg Gp
SSGT	RWJ	Beckers	HQ 1 Div Arty
SSGT	PG	Dorsett	1 Fd Regt
SSGT	J	Flett	1 Fd Regt
SSGT	RR	Moore	1 Fd Regt
SSGT	GP	Scott	1 Fd Regt
SSGT	EJ	Stainsby	1 Fd Regt
SSGT	ME	Collyer	7 Fd Bty
SSGT	BT	Austin	4 Fd Regt
SSGT	WJ	Rowe	4 Fd Regt
SSGT	SJ	Williamson	4 Fd Regt

SSGT	AK	McLean	48 Fd Bty
SSGT	DL	Curtis	8/12 Mdm Regt
SSGT	KC	Hoskins	8/12 Mdm Regt
SSGT	DT	Hyde	8/12 Mdm Regt
SSGT	AP	Schmidt	8/12 Mdm Regt
SSGT	T	Walker	8/12 Mdm Regt
SSGT	ME	Ponder	2/10 Mdm Regt
SSGT	DS	Cameron	16 AD Regt
SSGT	BM	Johnston	16 AD Regt
SSGT	GO	Sexton	111 AD Bty (Lt)
SSGT	DF	Griffin	12/40 RTR
SSGT	MR	Duggan	1 Div Int Coy
SSGT	MJ	Madden	RMC
SSGT	SA	Swan	1 RTB
SSGT	R	Styles	1 ARRU
SSGT	PA	Boyle	4 ARRU
SSGT	PN	Webster	UL 1 MD
SGT	RC	Howle	Mat Div
WO2	RJ	Summerton	Local Admin (AO)
SGT	GJ	O'Dell	LHQ
SGT	RS	Reid	HQ 1 Div
SGT	SW	Plumb	HQ 2 MD
SGT	MC	Asker	HQ 4 MD
SGT	H	Mitterer	HQ 4 MD
SGT	SP	Kemp	DSG NQ
SGT	WD	Allen	SCMA
SGT	MA	Swan	SCMA
SGT	MT	Watt	SCMA
SGT	DK	Badcock	4 Trg Gp
SGT	PR	Bradshaw	5 Trg Gp
SGT	RN	Skelton	1 Trg Gp
SGT	RSJ	Skelton	B Sqn 3/4 Cav Regt
SGT	GW	Beale	HQ 1 Div Arty
SGT	SGT	Horton	HQ 1 Div Arty
SGT	GVJ	Saint	HQ 1 Div Arty
SGT	FA	Agnew	1 Fd Regt
SGT	W	Ahnon	1 Fd Regt
SGT	MHW	Ball	1 Fd Regt
SGT	LM	Bentley	1 Fd Regt
SGT	GL	Boyce	1 Fd Regt
SGT	J	Burch	1 Fd Regt
SGT	SJ	Clark	1 Fd Regt
SGT	REM	Constantin	1 Fd Regt
SGT	AD	Dinnie	1 Fd Regt
SGT	I	Gardiner	1 Fd Regt
SGT	AJ	Groenhuijzen	1 Fd Regt
SGT	RG	Hart	1 Fd Regt
SGT	SG	Leech	1 Fd Regt
SGT	DR	Lehr	1 Fd Regt

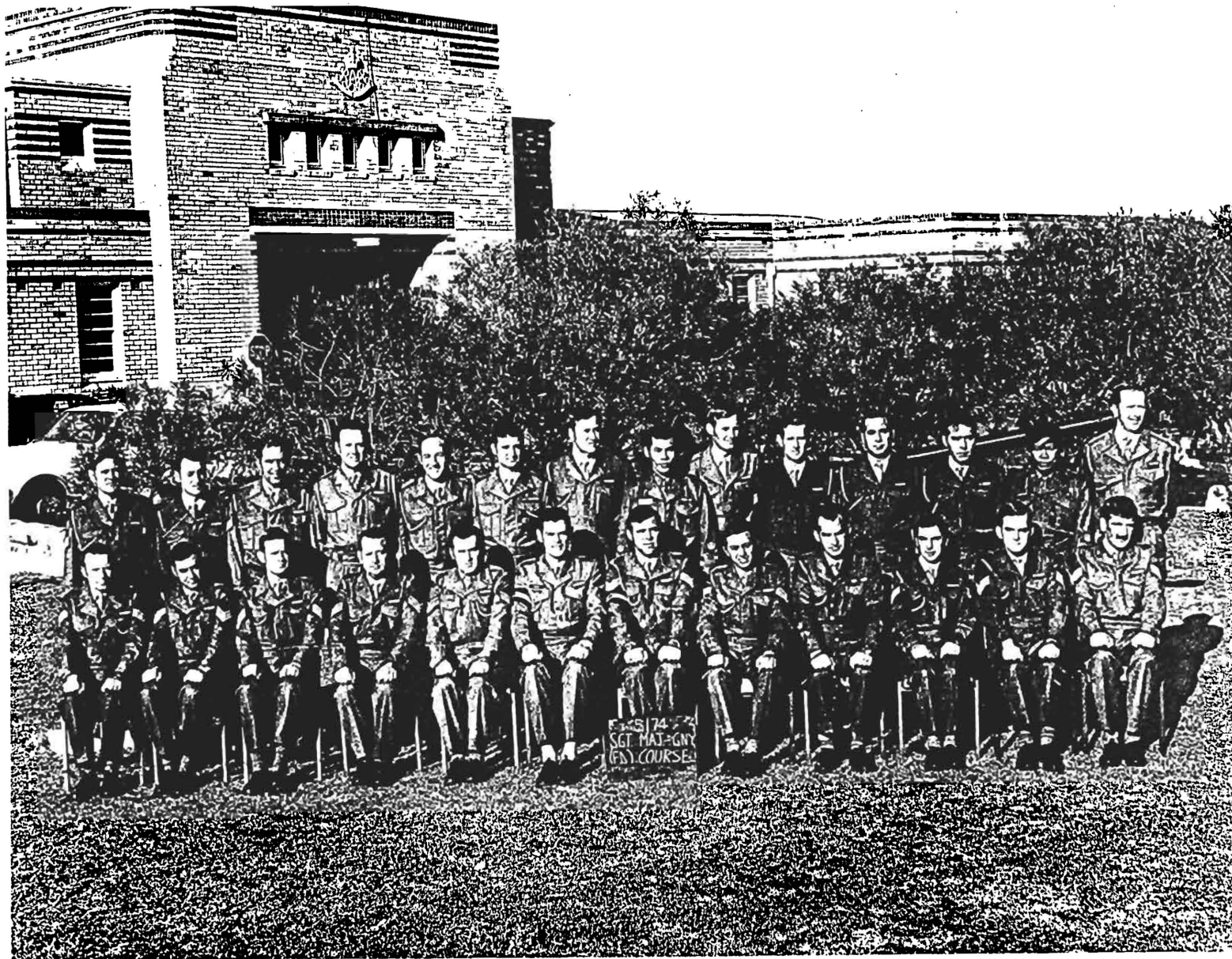
SGT	GD	Lilley	1 Fd Regt
SGT	BF	Maurer	1 Fd Regt
SGT	NF	McCreadie	1 Fd Regt
SGT	RP	McDowell	1 Fd Regt
SGT	M	McPherson	1 Fd Regt
SGT	DF	Piroquet	1 Fd Regt
SGT	RW	Randall	1 Fd Regt
SGT	FNW	Ratatagia	1 Fd Regt
SGT	PM	Robertson	1 Fd Regt
SGT	PA	Robson	1 Fd Regt
SGT	PH	Ryan	1 Fd Regt
SGT	BJ	Stewart	1 Fd Regt
SGT	CK	Talbot	1 Fd Regt
SGT	CW	Watson	1 Fd Regt
SGT	TJ	Whish	1 Fd Regt
SGT	TC	Kew	2/10 Mdm Regt
SGT	PG	McIntosh	2/10 Mdm Regt
SGT	TR	Jones	7 Fd Bty
SGT	KD	Allen	4 Fd Regt
SGT	EC	Anu	4 Fd Regt
SGT	JH	Armistead	4 Fd Regt
SGT	M	Balfe	4 Fd Regt
SGT	DM	Bannerman	4 Fd Regt
SGT	JM	Barlow	4 Fd Regt
SGT	LE	Bello	4 Fd Regt
SGT	A	Benton	4 Fd Regt
SGT	PN	Buskell	4 Fd Regt
SGT	DB	Callaghan	4 Fd Regt
SGT	CW	Flavel	4 Fd Regt
SGT	BA	Franklin	4 Fd Regt
SGT	DJ	Lyons	4 Fd Regt
SGT	JF	Morrison	4 Fd Regt
SGT	GR	Mulder	4 Fd Regt
SGT	W	Pine	4 Fd Regt
SGT	JA	Porter	4 Fd Regt
SGT	KJ	Reed	4 Fd Regt
SGT	LV	Ritchie	4 Fd Regt
SGT	LC	Scott	4 Fd Regt
SGT	KJ	Smith	4 Fd Regt
SGT	MD	Smith	4 Fd Regt
SGT	RJ	Thompson	4 Fd Regt
SGT	KJ	Williams	4 Fd Regt
SGT	RN	Wilson	4 Fd Regt
SGT	JE	Young	4 Fd Regt
SGT	RM	Fraser	7 Fd Regt
SGT	KJ	Chatfield	16 Fd Bty
SGT	PO	Filtness	16 Fd Bty
SGT	JR	Wilkinson	23 Fd Regt
SGT	WA	Durrant	5/11 Fd Regt
SGT	DJ	Henderson	5/11 Fd Regt

SGT	M	Tauletta	5/11 Fd Regt
SGT	WA	Allen	131 Div Loc Bty
SGT	GR	Beahan	131 Div Loc Bty
SGT	W	Broadbent	131 Div Loc Bty
SGT	RG	Crowe	131 Div Loc Bty
SGT	MD	Fowler	131 Div Loc Bty
SGT	ME	Horne	131 Div Loc Bty
SGT	RJ	Kiernan	131 Div Loc Bty
SGT	AW	McKay	131 Div Loc Bty
SGT	LC	Patten	131 Div Loc Bty
SGT	SW	Riley	131 Div Loc Bty
SGT	CK	Whetton	131 Div Loc Bty
SGT	GP	Applewhite	8/12 Mdm Regt
SGT	GB	Armstrong	8/12 Mdm Regt
SGT	PJ	Armstrong	8/12 Mdm Regt
SGT	GB	Audsley	8/12 Mdm Regt
SGT	GC	Boyle	8/12 Mdm Regt
SGT	PL	Clark	8/12 Mdm Regt
SGT	PW	Crijns	8/12 Mdm Regt
SGT	SR	Driscoll	8/12 Mdm Regt
SGT	JJ	Hennessy	8/12 Mdm Regt
SGT	MI	Johnson	8/12 Mdm Regt
SGT	DA	Jones	8/12 Mdm Regt
SGT	GL	Knight	8/12 Mdm Regt
SGT	RJ	Morland	8/12 Mdm Regt
SGT	RC	Nelson	8/12 Mdm Regt
SGT	BG	O'Connor	8/12 Mdm Regt
SGT	PJ	Osborne	8/12 Mdm Regt
SGT	MG	Phillips	8/12 Mdm Regt
SGT	MA	Pitt	8/12 Mdm Regt
SGT	PM	Simic	8/12 Mdm Regt
SGT	BAG	Skelly	8/12 Mdm Regt
SGT	PB	Standen	8/12 Mdm Regt
SGT	GJ	Thompson	8/12 Mdm Regt
SGT	CA	Walsh	8/12 Mdm Regt
SGT	GD	Warry	8/12 Mdm Regt
SGT	AM	Wittkopp	8/12 Mdm Regt
SGT	DS	Broad	2/10 Mdm Regt
SGT	SR	Baldock	16 AD Regt
SGT	ML	Beshara	16 AD Regt
SGT	MW	Bioletti	16 AD Regt
SGT	MR	Clayton	16 AD Regt
SGT	GD	Goddard	16 AD Regt
SGT	DJ	Hicks	16 AD Regt
SGT	PJ	Hill	16 AD Regt
SGT	BH	Jung	16 AD Regt
SGT	KJ	McGarry	16 AD Regt
SGT	CW	Mayfield	16 AD Regt
SGT	AS	Mears	16 AD Regt
SGT	SJ	Morse	16 AD Regt

SGT	AJ	Parsons	16 AD Regt
SGT	BA	Pearson	16 AD Regt
SGT	TJ	Pepper	16 AD Regt
SGT	GM	Potter	16 AD Regt
SGT	RG	Pryor	16 AD Regt
SGT	MW	Sherer	16 AD Regt
SGT	TJ	Stapleton	16 AD Regt
SGT	CIM	Thompson	16 AD Regt
SGT	GC	Thompson	16 AD Regt
SGT	RK	Topperwien	16 AD Regt
SGT	RJ	Zillman	16 AD Regt
SGT	L	Bozsoki	111 AD Bty (Lt)
SGT	PJ	Briers	111 AD Bty (Lt)
SGT	PHJ	Cannon	111 AD Bty (Lt)
SGT	PW	Kimball	111 AD Bty (Lt)
SGT	ST	Murcott	111 AD Bty (Lt)
SGT	PD	Renfrey	111 AD Bty (Lt)
SGT	MA	Sanders	111 AD Bty (Lt)
SGT	WP	Watkins	111 AD Bty (Lt)
SGT	MF	Watt	111 AD Bty (Lt)
SGT	PL	Williams	5/6 RVR
SGT	MJ	Wallace	ADFA (AC)
SGT	DC	Carter	RMC
SGT	GF	Dengate	RMC
SGT	MI	Kemp	RMC
SGT	TJ	Law	RMC
SGT	SJ	Smith	RMC
SGT	CFJ	Watego	RMC
SGT	SP	Wilson	RMC
SGT	DG	Ainston	School of Arty
SGT	HJ	Baker	School of Arty
SGT	SJ	Black	School of Arty
SGT	SJ	Bootes	School of Arty
SGT	SL	Boyd	School of Arty
SGT	MA	Britton	School of Arty
SGT	DJ	Brown	School of Arty
SGT	RW	Chambers	School of Arty
SGT	SM	Cooper	School of Arty
SGT	NG	Fisher	School of Arty
SGT	PW	Jackson	School of Arty
SGT	DR	Jones	School of Arty
SGT	DA	King	School of Arty
SGT	BC	Krywood	School of Arty
SGT	CJH	Minion	School of Arty
SGT	WT	Morris	School of Arty
SGT	IC	Pennington	School of Arty
SGT	G	Pisani	School of Arty
SGT	WC	Rodgers	School of Arty
SGT	NG	Romaro	School of Arty
SGT	DB	Singh	School of Arty

SGT	RL	Van Veen	School of Arty
SGT	MJ	Wicks	School of Arty
SGT	CL	Bateman	HQ Arty Centre
SGT	WL	Graham	LWC
SGT	IS	Lawes	LWC
SGT	BL	Armstrong	1 RTB
SGT	GA	Cook	1 RTB
SGT	GJ	Kent	1 RTB
SGT	MS	Streets	1 RTB
SGT	R	Van Oppen	1 RTB
SGT	BP	Hennessy	Army School of Tpt
SGT	RJ	Scott	Army TAFE
SGT	GJ	Wilson	Army TAFE
SGT	DJ	Mann	1 Avn Regt
SGT	CJ	Turner	1 GL Gp
SGT	BL	Bracewell	1 ARU
SGT	AJ	Price	1 ARU
SGT	CR	Burgess	2 ARU
SGT	PJ	Grills	2 ARU
SGT	KG	Hart	2 ARU
SGT	PA	Hayes	2 ARU
SGT	DJ	McGeown	2 ARU
SGT	RJM	Wedemeyer	3 Army Rec Unit
SGT	JD	Hogg	P & EE Port Wakefield
SGT	K	Phelan	P & EE Port Wakefield
SGT	SJ	Yale	P & EE Port Wakefield
SGT	P	Bennett	P & EE Graytown

FACES FROM THE PAST



Only three of the Australians are still serving. How many of the course can you name? Answers on the next page.

5/74 SGT MAJ GNY (FD) COURSE

FRONT ROW (L TO R)

Skeeter Humphries, Alan Hutchenson, Col Hansen, Ashley Spann, Harry Smith, Arthur Burke, George Gardner, Terry Lewis, Jim Lawler, Phil Sparkes, Ken Sterland, Terry Waters

BACK ROW (L TO R)

Steve Hitchcock, Earl Scholl, Barry Thompson, Max Franklin, Don Love, Ted Watson, John Mottershead, Anzor, Bruce Johnston, Kev Lakey, Jim Booth, Brian Ranson, Chien, Jim Ritchie

RAA CORPS LIST as at 05 JUN 91

Svc No..	W/RANK	SURNAME.....	INIT	KNOWN.AS..	POSTNOMINALS.....	COHORT..	W/RANK DATE	CURRENT/NEXT POSTINGS	M/I DATE.
43740	COL	MCEVOY	RV	BOB	MBE, ADC, psc	COL87	05 NOV 87	COMDT, HQ ARTY CENTRE	20/02/90
235403	COL	STEVENS	BG	BRYAN	jssc, psc, BA, Dip Mil Stud	COL88	03 JAN 91	COMD, HQ 1 DIV ARTY	15/01/91
111261	LTCOL	BURKE	AR	ARTHUR	psc, qtc, G	LTCOL82	28 MAR 83	ASST COMD, 1 TRG GP	31/01/90
64357	LTCOL	LOWRY	RW	BOB	psc, psc(RI)	LTCOL82	14 MAY 84	SO1 (ABCA), DCGS DIV (AO)	07/03/90
38924	LTCOL	FEAKES	WD	WARREN	qtc	LTCOL83	23 JAN 84	DDTRIALS-A, SCM DIV DOD(CEN)	15/12/90
17162	LTCOL	PATCH	DF	DARYL	psc, Dip Mil Stud	LTCOL83	11 JUN 84	COFS, HQ 6 MD	31/08/87
217438	LTCOL	MCCLELLAND	AW	ALAN	psc, Dip Mil Stud	LTCOL83	14 JAN 85	LTS, JSSC CSE NO 43/91 14/01/91SUPERNUMERARY AWAITING REPOST, LOCAL ADMI15/07/91	
235374	LTCOL	COLLINS	RJ	BOB		LTCOL84	06 FEB 89	SO1 (COORD), PERS DIV (AO)	02/03/90
3795645	LTCOL	MORRISON	DA	DENIS	psc, Dip Phys Ed	LTCOL84	03 DEC 84	D COMDT, LWC	31/01/90
235408	LTCOL	YATES	S	STEPHEN	jssc, psc, Dip Mil Stud	LTCOL84	04 FEB 85	SUPERNUMERARY FOR DUTY AS PROJ OFFR (FORC15/12/90	
217718	LTCOL	FOXALL	WJ	BILL	psc	LTCOL84	20 JAN 86	SO1 (OPS)-LHQ	04/04/91
55341	LTCOL	WARNER	AG	GERRY	LVO, psc, BSc(Hons), Dip Mil Stud	LTCOL85	03 MAR 86	SO1 (SR0M), PERS DIV (AO)	15/12/90
218234	LTCOL	LAWRENCE	PJ	PETER	psc, BA	LTCOL85	08 AUG 86	SUPERNUMERARY FOR DUTY AS DIRECTED BY LCA15/01/91INSTR, STAFF COLLEGE (CANADA) 15/06/91	
621870	LTCOL	BURNS	IW	IAN	qtc	LTCOL85	08 DEC 86	SO1 (P&E GP), HQ LOG COMD	15/01/90
44670	LTCOL	COX	JR	JOHN	jssc, PhD, BSc(Mil)	LTCOL85	17 FEB 86	CO, 8/12 MDM REGT	15/12/90
238618	LTCOL	HEWITT	BJL	BRIAN	psc, G, BA, Dip Mil Stud	LTCOL85	10 APR 89	SO1 (DESTB-A), DCGS DIV (AO) 07/03/90LTS, JSSC CSE NO 44/91 15/07/91	
218230	LTCOL	HAY	GC	GEOFF	MVO, psc, G, Dip Mil Stud	LTCOL85	08 DEC 86	LTS, JSSC CSE NO 43/91 14/01/91SUPERNUMERARY FOR DUTY AS	

RAA CORPS LIST as at 05 JUN 91

Svc No..	W/RANK	SURNAME.....	INIT	KNOWN.AS..	POSTNOMINALS.....	COHORT..	W/RANK DATE	CURRENT/NEXT POSTINGS	M/I DATE.
1201856	LTCOL	RANKINE	AH	ANDREW	psc, BA(Mil), Grad Dip Acct	LTCOL85	23 JUN 86	DDRP,DDFRP,DEV08/07/91 INSTR, C&SC	15/04/91
3794201	LTCOL	KILPATRICK	PR	PETER	psc, G	LTCOL85	11 JAN 88	SO1 (DEVELOPMENT)-LHQ	04/04/91
45044	LTCOL	HOWELL	RW	DICK	psc	LTCOL86	18 JAN 88	INSTR, C&SC	31/01/89
2147498	LTCOL	WYNEN	JB	HANS	psc, qtc	LTCOL86	22 AUG 88	SO1 (MAT), ADS LONDON	29/09/90
220103	LTCOL	JOHNSON	ILJ	IAN	psc, BEC	LTCOL86	01 DEC 88	PROJ OFFR, DEFENCE REGIONAL SUPPORT REVIE	15/03/91
1202162	LTCOL	LANS	B	BEN	psc	LTCOL86	27 JUN 88	SUPERNUMERARY FOR DUTY AS DIRECTED BY DDI04/03/91RETIRE, RSL 2MD (CANBERRA) 15/06/91	
55632	LTCOL	GIBBONS	VJ	VIC	jssc, psc, Dip Mil Stud	LTCOL86	30 MAR 87	DDPFS, DEV DIV HQ ADF	15/12/90
2794726	LTCOL	FARRAR	KJ	KEV	psc, qtc, Grad Dip Admin	LTCOL86	18 JAN 88	SO1 (ANALYSIS&FE), DCGS DIV (AO)	07/03/90
313132	LTCOL	AYERBE	AW	TONY	jssc(US), psc	LTCOL86	30 APR 87	PRIMARY STD OFFR, AAS WASHINGTON	27/09/90
313862	LTCOL	CATCHLOVE	JH	JIM	psc, G, BSc(Mil)	LTCOL86	07 DEC 87	CO, 4 FD REGT	05/01/90
1203071	LTCOL	FORSTER	DM	DAVID	psc, BA(Mil)	LTCOL86	15 FEB 88	CO, 2/15 FD REGT (ARES)	15/12/90
138049	LTCOL	HICKEY	JF	JOHN	psc	LTCOL86	21 APR 87	SO1 (COORD), JMOP DIV HQ ADF 31/01/89LTS, JSSC CSE NO 44/91 15/07/91	
220192	LTCOL	ROBERTS	FX	FRANK	psc, G, MSc, BE(Civ)	LTCOL86	18 JAN 88	CO, 1 FD REGT	15/12/90
5717661	LTCOL	POPE	SC	STEVE	psc	LTCOL87	09 JAN 89	SUPERNUMERARY FOR DUTY AS DARR, PERS DIV 21/09/90LTS, JSSC CSE NO 44/91 15/07/91	
224275	LTCOL	WILLIAMS	VH	VINCE	psc, G, BA(Mil)	LTCOL87	01 JAN 90	CO/CI, SCHOOL OF ARTY	15/12/90
220847	LTCOL	MURRAY	DJ	DON	psc, G	LTCOL87	15 DEC 89	SO1 (ARTY), LHQ	05/01/90
314416	LTCOL	CROSS	KR	KEN	psc, G(a)	LTCOL87	01 DEC 88	CO, 16 AD REGT	15/12/90

RAA CORPS LIST as at 05 JUN 91

Svc No..	W/RANK	SURNAME.....	INIT	KNOWN.AS..	POSTNOMINALS.....	COHORT..	W/RANK DATE	CURRENT/NEXT POSTINGS	M/I DATE.
1203066	LTCOL	KEANE	PWM	PETER	psc, BA(Mil)	LTCOL87	04 JAN 88	AWAITING ABSORPTION-HQ 7 BDE	20/02/91
220944	LTCOL	LLOYD	TR	TREVOR	psc, BA(Mil)	LTCOL87	21 NOV 88	LO (TRADOC), AAS WASHINGTON	26/09/90
220208	LTCOL	NICOLLS	SW	STEVE	psc, BA(Mil)	LTCOL87	19 SEP 88	DDAI, DCGS DIV (AO)	15/12/90
314592	LTCOL	MCKENNA	TJ	TIM	psc, PhD, BSc(Mil)	LTCOL87	01 JAN 90	SO1 (CLOSE CBT), DEV DIV HQ ADF	22/02/90
2799016	LTCOL	VICKERS	WR	RICK	psc, G, Dip Phys Ed	LTCOL87	03 JUL 89	SO1 (CBT SPT), OPS DIV HQ ADF	15/12/90
4722388	LTCOL	DINNISON	MP	MIKE	psc(CA)	LTCOL88	08 JAN 90	INSTR (EXCH), RAAFSC	08/01/90
220189	LTCOL	MARTIN	GK	GARY	psc	LTCOL88	01 JAN 91	SO1 (JOPS/PLANS)-HQ ADF (AC)	16/04/91
1202466	LTCOL	OVERSTEAD	PL	PETER	psc	LTCOL88	17 DEC 90	SO1 (OPS SPT)-DIO (AC)	05/06/91
1203828	LTCOL	PIERCY	AT	AL		LTCOL88	28 MAY 90	SO1 (ACCN), HQ 2 MD	15/05/90
221620	LTCOL	HALL	BML	BRIAN	psc, qtc, BA(Mil)	LTCOL88	02 JUL 90	SO1 (AMMO/ARMT), MAT DIV (AO)	09/07/90
520172	LTCOL	BAMFORD	NR	NEIL		LTCOL88	10 DEC 90	SO1 (ARTY), HQ ARTY CENTRE	15/12/90
127689	LTCOL	HOME	LE	LARRY	psc, Dip App Sc	LTCOL88	03 DEC 90	OPS OFFR, EDE	03/12/90
218710	LTCOL	NEWTON	RE	BOB	psc	LTCOL88	03 JUL 89	SO1 (STR MNGT), PERS DIV (AO)	02/03/90
221628	LTCOL	RETTOR	PB	PAUL	psc(US), G, BA(Mil)	LTCOL88	10 DEC 90	SO1 (PROJ PLANS), DCGS DIV (AO)	15/12/90
1204033	LTCOL	KENNEDY	DG	DEREK	psc, qtc	LTCOL88	10 DEC 90	SO1 (GUNS/GW), MAT DIV (AO)	10/12/90
221598	LTCOL	BURGESS	P	PAUL	adp, Grad Dip Comp Stud, BA(Mil)	LTCOL89	12 FEB 90	SO1 (CPTN SPT), HQ TRG COMD	12/02/90
318476	LTCOL	TYRELL	PR	PHILIP	psc, G	LTCOL89	29 APR 91	SO1 (TRG POL & PLANS)-DCGS DIV	29/04/91
411672	LTCOL	FOSTER	RJ	REG	psc	LTCOL89	03 DEC 90	SO (TRADOC), AAS WASHINGTON	03/12/90

RAA CORPS LIST as at 05 JUN 91

Svc No..	W/RANK	SURNAME.....	INIT	KNOWN.AS..	POSTNOMINALS.....	COHORT..	W/RANK DATE	CURRENT/NEXT POSTINGS	M/I DATE.
352978	LTCOL	COX	DSK	DARYL	qtc	LTCOL89	05 JUL 89	SO1 (MAT MNGT), HQ LOG COMD	19/10/90
2800864	LTCOL	HODGKINSON	AM	ANDY	psc	LTCOL89	01 APR 91	HEAD WPN SYS-DIO (AC)	05/06/91
235409	MAJ	BENSLEY	RH	BOB	BA	MAJ80	11 DEC 78	SO2 (AW)-DOD (AC)	06/03/91
3165987	MAJ	LEAHY	AJ	ANDY		MAJ82	06 JUL 81	SO2 (OPS), HQ 13 BDE	15/01/91
219695	MAJ	SMITH	DC	DAVID		MAJ83	11 JAN 82	SO2 (TRG)-HQ 1 MD	15/01/91
1735832	MAJ	ENSOR	LD	LANCE	psc	MAJ83	12 JAN 81	SO2 (OPS), HQ 1 DIV ARTY	15/01/91
213135	MAJ	FLATTERS	CJ	COL		MAJ83	11 JAN 82	SO2(COORD), LHQ	15/12/86
220196	MAJ	CAMPBELL	GE	GRAHAM		MAJ84	09 JAN 84	SO2 (AIR), HQ 2 MD	15/01/91
29435	MAJ	KING	JA	JIM		MAJ84	10 JAN 83	SO2 (PERS/LOG), 1 TRG GP	15/12/89
221248	MAJ	DONNELLY	PR	PETER		MAJ85	14 JAN 85	SO2 (AW), DOD (CEN) PT 2	15/12/89
220971	MAJ	JOSKE	RA	ROBERT	BA(Mil)	MAJ85	18 MAR 85	SO2(OPS), HQ 2 MD	12/10/87
221618	MAJ	FOWLER	RK	RON	qtc, BA(Mil)	MAJ85	14 JAN 85	SO2 (SURVL), MAT DIV (AO)	15/01/90
221257	MAJ	REID	WA	BILL	qtc	MAJ85	14 JAN 85	INSTR, AJWE	
318037	MAJ	MCGUIGAN	JM	JON		MAJ86	15 DEC 86	SO2 (COORD)-HQ 3 MD	15/01/91
46750	MAJ	LUZ-RAYMOND	CNC	CHRIS	psc	MAJ86	14 JAN 85	SO2 (EMP POLICY), PERS DIV (AO)	15/12/89
2795704	MAJ	BAKKER	TJP	TIM		MAJ86	24 JUN 85	AWAITING REPOST-HQ 4 MD	04/03/91
222705	MAJ	BAGULEY	RM	ROSS	qtc, BA(Mil)	MAJ86	01 JAN 86	2IC, 8/12 MDM REGT	
316024	MAJ	CAIRNS	SJ	STEVE		MAJ86	13 JAN 86	2IC, 4 FD REGT	15/12/90

RAA CORPS LIST as at 05 JUN 91

Svc No..	W/RANK	SURNAME.....	INIT	KNOWN.AS..	POSTNOMINALS.....	COHORT..	W/RANK DATE	CURRENT/NEXT POSTINGS	M/I DATE.
222282	MAJ	DONKIN	CD	CHRIS		MAJ86	28 JAN 86	OC(SPT WG), SCHOOL OF ARTY	15/01/89
223432	MAJ	DAVIES	DR	ROY		MAJ86	16 DEC 85	SI(LOC WG), SCHOOL OF ARTY	15/01/89
222726	MAJ	MCDONAGH	JH	JOCK	BA(Mil)	MAJ86	15 DEC 86	SO2(AD/TASK COORD), 1 GL GP	15/11/88
56568	MAJ	TAYLOR	BR	BRUCE		MAJ86	01 FEB 86	RSL (RETIREMENT)-RSL 5MD	26/04/91
219874	MAJ	NORTON	WJO	BILL		MAJ86	14 DEC 84	SO2(POLICY & RECORDS)MS, PERS BR (AO)	
46757	MAJ	PARAMOR	MF	MIKE	psc, G, BA(Mil)	MAJ86	04 MAR 85	SO2 (ARMY PLANS), HQ ADF	15/01/91
61584	MAJ	BARNARD	WC	BARNY		MAJ86	28 MAR 86	OC, DSU HOBART	15/12/87
175384	MAJ	TIPPETTS	GW	GRAHAM	psc, ptsc, Dip Cartography	MAJ86	13 JAN 86	SO2 (ANALYSIS), DCGS DIVISION	12/02/90
222704	MAJ	TAYLOR	MK	MIKE	BA(Mil)	MAJ86	16 DEC 85	SO2 (GEN STORES), MAT BR (AO)	15/01/90
222741	MAJ	RYAN	MC	MARK	BA(Mil)	MAJ86	19 AUG 85	SO2 (DOCTRINE)-DCGS DIV	07/02/91
5719559	MAJ	GREENFIELD	LW	LEW	psc	MAJ86	17 MAR 86	SUPERNUMERARY FOR DUTY AS DIRECTED BY CO10/05/91	
223681	MAJ	LOVELL	MG	MICK	G(y), BA(Mil)	MAJ87	15 DEC 87	LTS, STAFF COLLEGE FORT LEAVENWORTH	15/07/90
1202160	MAJ	POLSON	HA	HUGH		MAJ87	09 JAN 84	OC, 1 ARU	15/01/90
223768	MAJ	JOSKE	SK	STEVE	psc, BA(Mil)	MAJ87	13 JAN 86	SO2 (CAREERS ADVISER), PERS DIV	15/01/91
223665	MAJ	BATTEN	LE	LEN	psc, G(y)	MAJ87	13 JAN 87	BC, 131 DIV LOC BTY	15/01/90
57904	MAJ	VIKINGUR	EG	EINAR	psc, gw, BA, BSc, MSc	MAJ87	16 JUN 86	INSTR TAC WING, LWC	15/01/91
35865	MAJ	BREHERTON	AJ	ARTHUR	OAM	MAJ87	06 JAN 87	SO3(PERS MNGT), CARO	15/01/90
424943	MAJ	AKERS	GM	GLEN		MAJ87	18 JAN 88	GLO, 1 GL GP	15/01/90

RAA CORPS LIST as at 05 JUN 91

Svc No..	W/RANK	SURNAME.....	INIT	KNOWN.AS..	POSTNOMINALS.....	COHORT..	W/RANK DATE	CURRENT/NEXT POSTINGS	M/I DATE.
67186	MAJ	FRANKLIN	PR	PETER		MAJ87	28 APR 86	SO2 (PERS/LOG), HQ 1 DIV ARTY	
223697	MAJ	VERCOE	TW	TODD	psc, G, BA(Mil)	MAJ87	01 AUG 85	SO2 FIRE SPT AND AD, HQ ADF	15/01/91
47178	MAJ	THWAITES	AA	TONY	psc, G	MAJ87	03 DEC 86	SI GNRV WING, SCHOOL OF ARTY	15/01/90
57725	MAJ	PALLOT	GC	GUS	psc	MAJ87	13 JAN 86	SO2 (TECH INT), PSD PART 3	01/01/91
222671	MAJ	PLATT	JC	JOHN	psc, G(y)	MAJ87	12 JAN 87	SO2 (ARTY), HQ ARTY CENTRE	15/01/90
223727	MAJ	APPLETON	PF	PAUL	psc, G(a), BA(Mil), BSc	MAJ87	05 MAY 86	SO2 (NON CORPS POST), PERS DIV	15/01/91
179252	MAJ	EVANS	DL	DAVID	psc	MAJ88	16 DEC 88	BC, 1 FD REGT	15/01/90
47804	MAJ	MAPLE	AH	TONY	BA(Mil), Grad Dip Data Proc	MAJ88	01 JAN 88	LTS, C&SC, QUEENSCLIFF	15/01/91
317253	MAJ	GUSTAFSON	P	PETER		MAJ88	31 AUG 88	GLO, 1GL GP	
1205665	MAJ	MCKAY	PD	PETER	BA(Mil)	MAJ88	12 DEC 88	LTS, CIV SCH (AS) UNI OF CANBERRA (GRAD D15/01/91	
318065	MAJ	EVERED	DJ	DAVE	BA(Mil)	MAJ88	15 JUN 87	LTS, OJT STORES AND CLOTHING , SCRDE	15/01/91
47141	MAJ	RYAN	DC	DAN		MAJ88	01 JAN 88	LTS, RAAF STAFF COLLEGE, FAIRBAIRN	15/01/91
224953	MAJ	STEVENS	CM	CRAIG	BA(Mil)	MAJ88	26 SEP 88	SO2 (ADMIN POLICY)-HQ ADF (AC)	18/05/91
57902	MAJ	GRAHAM	HL	HUGH	G, BE(Elec)	MAJ88	08 JUL 87	LTS, C&SC, QUEENSCLIFF	15/01/91
224834	MAJ	COLLINSON	GG	GARY	qtc, BA(Mil)	MAJ88	27 JAN 87	LTS, C&SC, QUEENSCLIFF	
179455	MAJ	VERETENNIKOFF	PN	PETER	qtc, BApp Sc	MAJ88	01 JAN 88	OC & PROOF OFFR, P & EE GRAYTOWN	15/11/90
536194	MAJ	COOK	R	RAY	Grad Dip Bus Comp	MAJ88	01 JAN 88	SO2 (CPTR), LHQ	15/01/91

RAA CORPS LIST as at 05 JUN 91

Svc No..	W/RANK	SURNAME.....	INIT	KNOWN.AS..	POSTNOMINALS.....	COHORT..	W/RANK DATE	CURRENT/NEXT POSTINGS	M/I DATE.
226608	MAJ	FOLKARD	GM	GREG	BA	MAJ88	15 DEC 87	SO2 (OPS), HQ 2 DIV ARTY	15/01/90
318047	MAJ	POWER	BA	ASHLEY	BA(Mil)	MAJ88	01 JAN 88	LTS, STAFF COLLEGE BANGKOK	15/07/90
318048	MAJ	PARROTT	RA	ROSCOE	BA(Mil)	MAJ88	01 JAN 88	LTS, STAFF COLLEGE HAMBURG, FRG	15/08/90
223359	MAJ	KEMP	TAG	TIM	psc	MAJ88	01 DEC 87	TRG OFFR, SCHOOL OF ARTY	15/01/91
552171	MAJ	JOHNS	GM	GRAEME		MAJ89	15 DEC 89	BC, 111 AD BTY (LT)	15/01/91
224582	MAJ	BARTELS	GK	GREG	qtc	MAJ89	01 JAN 89	ASST PD, MAT BR (AO)	15/12/89
216464	MAJ	GARLAND	PK	PHIL		MAJ89	13 DEC 88	QM ADVISER, HQ 2 MD	15/01/91
59823	MAJ	DARLINGTON	AR	TONY		MAJ89	15 DEC 87	SI REGIMENTAL TRAINING WING, SCHOOL OF AR	15/01/91
362160	MAJ	LEITH	AR	ANDY	BA(Mil)	MAJ89	15 DEC 88	SUPERNUMERARY FOR DUTY AS SO2 MSBS, PERS	13/05/91
63073	MAJ	CRANE	MP	MICK	psc, G, BSc(Hons)	MAJ89	01 DEC 89	BC, 4 FD REGT	15/01/91
322064	MAJ	MORGAN	DR	DAVID	qtc, BSc	MAJ89	15 OCT 88	PROJ OFFR-EDE	18/03/91
318514	MAJ	MUELLER	HJ	HEINZ	G	MAJ89	01 JAN 89	LTS, C&SC, QUEENSCLIFF	15/01/91
211738	MAJ	PIERCE	DW	DAVID	BA(Mil)	MAJ89	15 DEC 87	LTS, STAFF COLLEGE PARIS ESGI FRANCE	15/01/90
54418	MAJ	BERSON	GF	GERRY		MAJ89	01 NOV 88	SO2(PERS), HQ 5 MD	01/11/88
67416	MAJ	SHEVAK	ML	MICK		MAJ89	15 DEC 88	BC, 7 FD REGT	15/01/90
224822	MAJ	SCHAFFER	MJ	MARK	G(y), BSc(Mil)	MAJ89	15 DEC 87	COY COMD, RMC 15/01/90LTS, STAFF COLLEGE CAMBERLY UK 15/11/91	
1205963	MAJ	COLLEY	FG	FRANK	G	MAJ89	15 DEC 88	LTS, STAFF COLLEGE CAMBERLEY, UK	

RAA CORPS LIST as at 05 JUN 91

Svc No..	W/RANK	SURNAME.....	INIT	KNOWN.AS..	POSTNOMINALS.....	COHORT..	W/RANK DATE	CURRENT/NEXT POSTINGS	M/I DATE.
318058	MAJ	LYNCH	IA	IAN	BA(Mil)	MAJ89	01 DEC 88	2IC, 16 AD REGT 15/01/91LTS, C&SC, QUEENSCLIFF 15/01/92	
294531	MAJ	MCAULEY	WJ	WAYNE	gw, BSc, MSc	MAJ89	01 JAN 89	SO2(AAGW), MAT BR(AO)	15/07/88
224968	MAJ	BASSETT	GJ	GEOFF		MAJ89	15 DEC 87	2IC, 1 FD REGT	15/12/89
322073	MAJ	MALCOMSON	IW	IAN	Dip Teach	MAJ89	03 DEC 88	BC, 23 FD REGT	
223698	MAJ	WALTON	MStC	MARKHAM		MAJ89	15 DEC 88	SO2. (TRG METH), HQ TRG COMD	15/01/91
227125	MAJ	WIDELEWSKI	PR	PETER		MAJ89	18 DEC 87	INSTR ROYAL SCH ARTY, LARKHILL PSD PT 3 15/12/89LTS, C&SC, QUEENSCLIFF 15/01/92	
1206169	MAJ	MCCULLAGH	TJ	TERRY	BA(Mil)	MAJ89	15 JUN 88	INSTR JUNIOR STAFF WING, LWC 15/01/90LTS, STAFF COLLEGE MALAYSIAN STAFF COLLEG15/12/91	
1206231	MAJ	GRATTON	MC	MARK	BA(Mil)	MAJ90	15 DEC 89	AWAITING REPOST, HQ ADF	09/08/90
317907	MAJ	MAW	PR	PETER		MAJ90	15 JAN 91	BC, 8/12 MDM REGT	15/01/91
228119	MAJ	ARMSTRONG	BM	BRUCE	Dip Teach	MAJ90	15 JAN 90	BC 1 FD REGT 15/01/90LTS, C&SC, QUEENSCLIFF 15/01/92	
1206258	MAJ	GOLTZ	ST	STEVE		MAJ90	15 JAN 89	INSTR 2ND CLASS GEN STUDIES, RMC	15/01/91
47868	MAJ	PATTI	PD	PAUL		MAJ90	08 DEC 88	ASST COMD, 6 TRG GP	15/01/91
322517	MAJ	MEEHAN	PW	PAT	BA(Hons)	MAJ90	13 MAR 90	AWAITING ABSORPTION, FOR DUTY AS SO2 (NBC15/01/91	
17400	MAJ	ZIEBARTH	KP	KEN	BSc(Mil)	MAJ90	01 JAN 90	SO2 (RESOURCES), DCGS DIV	15/01/91
48361	MAJ	MARTINEK	J	JIRI	BA(Mil)	MAJ90	01 JAN 90	SO2 (ANALYSIS), HQ TRG COMD	10/04/90
226833	MAJ	JONES	GP	GEOFF	BA(Mil)	MAJ90	15 DEC 89	BC, 8/12 MDM REGT 15/12/89LTS, C&SC, QUEENSCLIFF	

RAA CORPS LIST as at 05 JUN 91

Svc No..	W/RANK	SURNAME.....	INIT	KNOWN.AS..	POSTNOMINALS.....	COHORT..	W/RANK DATE	CURRENT/NEXT POSTINGS	M/I DATE.
225735	MAJ	PHELPS	ML	MIKE	qtc, BA(Mil)	MAJ90	01 JAN 90	15/01/92 PROJ OFFR (GUN), MAT BR (AO) 15/01/90LTS, C&SC, QUEENSCLIFF 15/01/92	
17396	MAJ	STUART	DG	STUART	qtc, BSc(Hons)	MAJ90	01 JAN 90	SO2 (TRIALS), DOD (CENTRAL) (AC) PT 2	18/07/90
179536	MAJ	MULHERIN	GD	GEOFFREY	BSc(Hons)	MAJ91A	02 JUN 90	SI DEVELOPMENT WING, SCHOOL OF ARTY	
312323	MAJ	CAINE	MJ	MIKE	G(a)	MAJ91A	15 DEC 89	SO2 (PERS EMP/SPT)-HQ 3 MD	
179974	MAJ	BRENNAN	DT	TERRY		MAJ91A	15 DEC 89	SO2 SPECIAL WARFARE, HQ ADF	01/02/90
226774	MAJ	HOLLOWAY	SR	STEVE	BA(Mil)	MAJ91A	01 JAN 91	LTS, GEN TRG,RMCS SHRIVENHAM UK,DIV II	
554056	MAJ	REYNOLDS	CN	CHARLES	BMus, AMusA	MAJ91A	01 JAN 91	BC, 5/11 FD REGT	15/01/91
180640	MAJ	BRADSHAW	DB	DALE	G(y)	MAJ91A	01 JAN 91	SO2 (PUBS), HQ TRG COMD	15/01/91
316211	MAJ	GOSS	IP	IAN		MAJ91A	15 JAN 90	BC, 4 FD REGT	
226831	MAJ	JENVEY	GS	GORDON	BA(Mil), Grad Dip Info Sys	MAJ91A	01 JAN 91	LTS, CIV SCH, ADFA, MASTER OF INFO SCIENC	15/01/91
610998	MAJ	MILLINGTON	RJ	RICHARD	BA(Mil)	MAJ91A	24 JAN 90	BC, 4 FD REGT	15/01/90
227508	MAJ	TAYLOR	BW	BRIAN	Grad Dip Bus Comp	MAJ91A	01 JAN 91	SO2 (CPTR), RMC	15/01/91
226791	MAJ	WICKMAN	GR	GRANT	qtc, BE(Elec)	MAJ91A	15 JUN 90	PROJ OFFR, EDE	15/06/90
1205394	MAJ	MIDDLETON	MW	MAL		MAJ91A	01 JAN 91	SO2 (OR ANALYSIS), HQ TRG COMD	15/01/91
226516	MAJ	WINTER	PD	PHIL	BA, MLitt	MAJ91A	15 MAR 90	BC, 8/12 MDM REGT	15/03/90
2111793	MAJ	SIMMONS	LJ	LEN		MAJ91A	01 JAN 91	SO2 (SYS), PERS DIV	15/01/91

RAA CORPS LIST as at 05 JUN 91

Svc No..	W/RANK	SURNAME.....	INIT	KNOWN.AS..	POSTNOMINALS.....	COHORT..	W/RANK DATE	CURRENT/NEXT POSTINGS	M/I DATE.
453032	MAJ	HURRELL	DA	DAVID	G(a), BA	MAJ91B	15 DEC 90	SI AIR DEFENCE WING-SCHOOL OF ARTY	15/12/90
168502	MAJ	GIBBINGS	TJ	TIM	qtc	MAJ91B	15 NOV 90	OC & PROOF OFFR, P & EE PORT WAKEFIELD	15/11/90
321692	MAJ	HARRIS	PD	PAUL	BSc	MAJ91B	28 NOV 90	LO, US ARMY FIELD ARTILLERY SCHOOL, FORT	15/01/91
139377	MAJ	COOPER	GB	GLENN	BApp Sc	MAJ91B	01 JAN 91	LTS, CIV SCH, UNI OF SQ, GRAD DIP BUSINES	29/10/90
229241	MAJ	FOGARTY	GP	GERARD		MAJ91B	01 JAN 91	BC 110 AD BTY, 16 AD REGT	15/01/91
320847	MAJ	HOSKING	IP	IAN	BSc	MAJ91B	01 JAN 91	SO2 (ARTY), HQ ARTY CENTRE	18/02/91
48369	MAJ	WHITE	AF	TONY		MAJ91B	01 JAN 91	INSTR OFFR TRG WNG, PNG DEFENCE ACADEMY,	15/01/91
179894	MAJ	WHITE	RH	BOB		MAJ91B	14 SEP 90	LTS, GEN TRG UK, RMCS DIV 11 PLUS BALLIST	15/02/91
320863	MAJ	VOLK	PA	PHILIP	BA, Grad Dip Mngt Sc	MAJ91B	10 APR 91	BC, 104 FD BTY, 1 FD REGT	10/04/91
180048	MAJ	LOGAN	JDJ	JEREMY	BA	MAJ91B	01 JAN 91	SO2 (OPS), HQ SF	15/01/91
434506	MAJ	OSBORNE	GE	GEORGE		MAJ91B	01 JAN 91	BC-16 AD REGT	15/01/91
321690	MAJ	SYMON	PB	PAUL	BA	MAJ91B	01 JAN 91	BC, 1 FD REGT	15/01/91
228549	MAJ	STITZ	JM	JAMES		MAJ91B	01 JAN 91	BC, 2/15 FD REGT	15/01/91
2257147	CAPT	SARELIUS	CA	CARL		CAPT85	14 JAN 85	SO3 (OPS), HQ 3 MD	30/01/90
433551	CAPT	STANHOPE	RH	DICK		CAPT86	14 JAN 85	ADJT, 4 FD REGT	
228536	CAPT	LANDFORD	PT	PAUL		CAPT86	14 JAN 85	BTY CAPT, 131 DIV LOC BTY	15/01/90
227617	CAPT	DUTTON	M	MARTIN	BSc	CAPT86	13 JAN 86	INSTR, SCHOOL OF ARTY	

RAA CORPS LIST as at 05 JUN 91

Svc No..	W/RANK	SURNAME.....	INIT	KNOWN.AS..	POSTNOMINALS.....	COHORT..	W/RANK DATE	CURRENT/NEXT POSTINGS	M/I DATE.
218653	CAPT	QUIRK	DA	DAVE		CAPT86	01 JAN 86	ADMIN OFFR, 1 ARU	15/01/90
227649	CAPT	LITTLEWOOD	NR	NEIL	BA	CAPT86	13 JAN 86	ADJT, 8/12 MDM REGT	
321604	CAPT	GUNN	JH	JOHN		CAPT87	01 JAN 87	ADJT, 16 AD REGT	
63666	CAPT	MANTON	RM	ROB		CAPT87	13 JAN 86	AWAITING ABSORPTION, 8/12 MDM REGT	
227637	CAPT	MAURICE	RA	DICK	BA	CAPT87	01 JAN 87	SO3 (TRG PROG), RMC	
322472	CAPT	DELANEY	KS	KARL	BSc	CAPT87	01 JAN 87	SO3 (OPS), HQ TRG COMD	
322501	CAPT	SMITH	JP	JOHN	G(y), BA	CAPT87	01 JAN 87	INSTR, SCHOOL OF ARTY	
360855	CAPT	TAGGART	C	CRAIG		CAPT87	07 JUL 86	SO3 (OPS), HQ 1 DIV ARTY	
4400779	CAPT	GIBSON	RG	ROBERT	BSc, Grad Dip Cml Comp	CAPT87	01 JAN 87	INSTR DEV WNG, SCHOOL OF ARTY	
226828	CAPT	COOMBE	IW	IAN	BSc	CAPT87	24 FEB 86	BTY CAPT, 4 FD REGT	
324190	CAPT	LEICHSENRING	M	MICHAEL		CAPT87	01 JAN 87	BTY CAPT, 111 AD BTY (LT)	
228600	CAPT	PHILLIPS	GK	GRAEME	G, BSc (Hons)	CAPT87	01 JAN 87	INSTR GNY WNG, SCHOOL OF ARTY	
213291	CAPT	TUCKER	K	KEVIN		CAPT87	01 JAN 87	QM, SCHOOL OF ARTY	
229742	CAPT	STEWART	IM	MICHAEL	BA	CAPT88	01 JAN 88	ADJT-1 FD REGT	

RAA CORPS LIST as at 05 JUN 91

Svc No..	W/RANK	SURNAME.....	INIT	KNOWN.AS..	POSTNOMINALS.....	COHORT..	W/RANK DATE	CURRENT/NEXT POSTINGS	M/I DATE.
553914	CAPT	COGHLAN	DP	DAVID	BA	CAPT88	01 JAN 88	INSTR, AD CENTRE, FORT BLISS, TX, PSD PAR.	
181781	CAPT	WILTSHIRE	PJ	PETER		CAPT88	15 DEC 87	BTY CAPT, 7 FD BTY	
231099	CAPT	GOODMAN	WL	WAYNE		CAPT88	12 JUN 87	INSTR-RMC	
4401302	CAPT	LOWE	DB	DON	BSc	CAPT88	01 JAN 88	INSTR, SCHOOL OF ARTY	
1201252	CAPT	GRIMES	WH	MICK		CAPT88	01 JAN 88	ADJT, SCHOOL OF ARTY	
554628	CAPT	MCCALLUM	RD	DAVE		CAPT88	01 JAN 88	ADJT, 7 FD REGT	
2109828	CAPT	MURPHY	PJ	PETER	BA(Hons)	CAPT88	01 JAN 88	BTY CAPT, 8/12 MDM REGT	
213973	CAPT	MCVEY	RJ	RAY		CAPT88	01 JAN 88	QM, 16 AD REGT	
230733	CAPT	QUAGLIA	SMP	SIMON		CAPT88	12 JAN 87	-INSTR 1ST CLASS TACTICS, RMC	
168299	CAPT	JENKINS	DA	DAVID	Assoc Dip(Elec Eng)	CAPT88	01 JAN 88	AWAITING REPOST-SCHOOL OF ARTY	
180485	CAPT	RUGG	PG	PETER		CAPT88	20 FEB 87	QM, DSU MELBOURNE	
325049	CAPT	ROWE	R	ROBERT		CAPT88	12 DEC 88	ADJT, 10 MDM REGT	
229823	CAPT	JONES	WN	WARWICK	BA	CAPT88	01 JAN 88	INSTR GUNNERY, LHQ	
229733	CAPT	BLACK	JPC	JON	BA	CAPT88	01 JAN 88	INSTR, SCHOOL OF ARTY	
415997	CAPT	AMOR	SP	SHANE		CAPT88	01 JAN 88	BTY CAPT, 6/13 FD REGT	
231578	CAPT	SADDINGTON	SM	STEPHEN		CAPT88	27 DEC 87	INSTR-SCHOOL OF ARTY	

RAA CORPS LIST as at 05 JUN 91

Svc No..	W/RANK	SURNAME.....	INIT	KNOWN.AS..	POSTNOMINALS.....	COHORT..	W/RANK DATE	CURRENT/NEXT POSTINGS	M/I DATE.
4401376	CAPT	PICKFORD	TD	TIM	BA(Hons)	CAPT88	15 JAN 89	BTY CAPT-16 AD REGT	
16807	CAPT	CANE	BD	BARRY		CAPT88	01 JAN 88	ADMIN OFFR, LOCAL ADMIN	
46188	CAPT	WINCHESTER	RAH	ROD		CAPT88	01 JAN 88	QM, 1 FD REGT	15/01/90
282798	CAPT	LAIRD	IG	IAN	BSc	CAPT88	18 MAY 87	BTY CAPT, 8/12 MDM REGT	
120368	CAPT	SPENCER	PW	PETE		CAPT88	12 DEC 88	SO3 (COLLECTIVE TRG)-LHQ	20/02/91
230809	CAPT	LERAY-MEYER	AD	TONY	BA(Hons)	CAPT89	01 JAN 89	DIV OFFR, ADFA	15/01/91
282945	CAPT	MCDONAGH	RS	RICHARD	BA	CAPT89	16 DEC 88	TRG OFFR, 1 TRG GP	15/01/91
230812	CAPT	MCLACHLAN	PD	PAUL		CAPT89	15 DEC 88	LTS, LANGUAGE TRG (AS) JAPANESE	
214920	CAPT	BONSER	DH	DAVE		CAPT89	07 DEC 88	RSL (LWOP)-RSL 2MD	15/04/91
223776	CAPT	NARRAMORE	DR	DENIS		CAPT89	07 DEC 88	QM, 4 FD REGT	15/01/89
230835	CAPT	SMITH	DJ	DON	BA	CAPT89	15 DEC 88	RSL (LWOP)-RSL 2MD	10/01/91
214397	CAPT	LAKEY	KT	KEV		CAPT89	07 DEC 88	TRG DEVELOPMENT OFFR, SCHOOL OF ARTY	15/01/91
45211	CAPT	MALLEE	FFB	FRANK		CAPT89	07 DEC 88	ENLIST OFFR, 4 ARU	15/01/89
453092	CAPT	ROACH	S	DON	BSc	CAPT89	15 DEC 88	LO, HQ 6 BDE	15/01/91
2241517	CAPT	HUME	SJ	STEVEN	BA	CAPT89	02 DEC 88	SO3 (COORD)-1 RTB	
111932	CAPT	RYAN	JF	JOHN		CAPT89	07 DEC 88	QM, 131 DIV LOC BTY	

RAA CORPS LIST as at 05 JUN 91

Svc No..	W/RANK	SURNAME.....	INIT	KNOWN.AS..	POSTNOMINALS.....	COHORT..	W/RANK DATE	CURRENT/NEXT POSTINGS	M/I DATE.
2784181	CAPT	GREEN	A	AL		CAPT89	07 DEC 88	2IC-RMC	26/02/91
230826	CAPT	BAILEY	BJ	BRIAN	BA	CAPT89	15 DEC 88	ADJT, 23 FD REGT	15/01/91
3100166	CAPT	HILL	JC	JONATHAN		CAPT89	15 DEC 87	ADJT, 2/15 FD REGT	
228452	CAPT	BERMINGHAM	DJ	DAVID		CAPT89	15 DEC 87	BTY CAPT, 1 FD REGT	15/01/91
453554	CAPT	TEAKLE	DJ	DOMINIC		CAPT90	13 NOV 89	ADC TO CDF, HQ ADF	03/12/90
1202849	CAPT	TURNER	AC	TONY	OAM, G(y)	CAPT90	06 DEC 89	INSTR-SCHOOL OF ARTY	
326517	CAPT	PALMER	JP	JEREMY		CAPT90	09 JAN 89	SO3 (TRG), DSG NQ	
325326	CAPT	BILTON	GC	GREG	BA	CAPT90	15 DEC 89	LTS, TO ATTEND GUNNERY STAFF CSE (LOC)	
262915	CAPT	POTTER	GG	GARY		CAPT90	15 JAN 89	FO, 1 FD REGT	
233891	CAPT	QUAGLIA	PA	PAUL		CAPT90	01 DEC 89	SO3 (OPS), HQ 1 DIV	15/01/91
64025	CAPT	DONNELLY	SP	SIMON	BA	CAPT90	15 DEC 89	BTY CAPT, 4 FD REGT	
2793612	CAPT	RICHARDS	RC	BOB		CAPT90	17 DEC 89	SO3(CAREER ADVISER), CARO	
453091	CAPT	HODSON	RF	RUSSELL	BSc	CAPT90	15 DEC 89	BTY CAPT-1 FD REGT	
2102045	CAPT	CONNERY	DK	DAVID		CAPT90	20 FEB 89	BTY CAPT, 6/13 FD REGT	15/01/91

RAA CORPS LIST as at 05 JUN 91

Svc No..	W/RANK	SURNAME.....	INIT	KNOWN.AS..	POSTNOMINALS.....	COHORT..	W/RANK DATE	CURRENT/NEXT POSTINGS	M/I DATE.
221413	CAPT	MCMURTRIE	WJ	BILL		CAPT90	06 DEC 89	QM, 10 MDM REGT	
2102988	CAPT	GATES	PC	PETER		CAPT90	15 DEC 89	FO, 4 FD REGT	15/01/90
182474	CAPT	BEASLEY	KP	KENT	BA	CAPT90	15 DEC 89	FO, 4 FD REGT	15/12/89
3167030	CAPT	ANDERSEN	CW	CHRIS		CAPT90	15 DEC 88	CPTR DVLPT OFFR, SCHOOL OF ARTY	30/11/90
453798	CAPT	HARRISON	BA	BRETT		CAPT90	15 DEC 89	CPO, 16 AD REGT	15/12/89
418805	CAPT	MILDRED	AR	TONY		CAPT90	16 APR 90	LTS, TO ATTEND GUN STAFF CSE (GUIDED	
37999	CAPT	CARLISLE	RJ	ROGER		CAPT90	06 DEC 89	ADMIN OFFR, DSU MELBOURNE	15/01/90
238475	CAPT	MOON	LJ	LARRY	BA	CAPT90	15 DEC 89	LTS, UNI OF WEST SYD, GD COMPUTING	
231675	CAPT	MOORE	DJ	DAVE		CAPT90	01 JAN 89	LTS, TO ATTEND GUNNERY CSE (LOC)	
312669	CAPT	SMITH	PJ	PETER		CAPT90	06 DEC 89	INSTR, SCHOOL OF ARTY	
231680	CAPT	SHANAHAN	RD	RODGER	BSc	CAPT90	15 DEC 89	SO3 (OPS), HQ 1 BDE	15/01/91
4400966	CAPT	MCNICHOLAS	DJ	DES		CAPT90	07 JAN 91	SNR ASST PROOF OFFR-P & EE PT WAKEFIELD	07/01/91
4100029	CAPT	KIDD	GW	GRAHAM	BA	CAPT91	17 SEP 90	RANGE OFFR, DSU PUCKAPUNYAL	17/09/90
182680	CAPT	BURNS	DJ	DAN	BA(Hons)	CAPT91	01 JAN 91	FO, 4 FD REGT	15/01/91
183535	CAPT	HARRIS	GP	BOOTS	Cert Draft Stud	CAPT91	01 JAN 91	FO, 1 FD REGT	

RAA CORPS LIST as at 05 JUN 91

Svc No..	W/RANK	SURNAME.....	INIT	KNOWN.AS..	POSTNOMINALS.....	COHORT..	W/RANK DATE	CURRENT/NEXT POSTINGS	M/I DATE.
2102982	CAPT	GARSIDE	DL	DAVID		CAPT91	01 JAN 91	FO, 8/12 MDM REGT	15/01/91
554699	CAPT	COLMER	AC	ACE	BA	CAPT91	01 JAN 91	FO-1 FD REGT	25/01/91
234384	CAPT	ASHTON	DJR	DEAN		CAPT91	01 JAN 91	FO-8/12 MDM REGT	15/01/91
45404	CAPT	STRAUME	AE	ANDY		CAPT91	01 JAN 91	QM-5/11 FD REGT	
233888	CAPT	CARTER	GJ	GAVIN		CAPT91	01 JAN 91	FO, 4 FD REGT	
218563	CAPT	DOBBS	PE	PETER		CAPT91	01 JAN 91	BTY CAPT-1 FD REGT	15/01/91
62012	CAPT	WILLIAMS	EG	ERIC		CAPT91	01 JAN 91	QM-DSU WATSONIA	15/12/90
454041	CAPT	WEBB	JJC	JEREMY		CAPT91	01 JAN 91	ARTY CON, 16 AD REGT	15/01/91
554702	CAPT	CLINGAN	SE	SCOTT	BA	CAPT91	01 JAN 91	FO-8/12 MDM REGT	
46872	CAPT	CORNISH	SG	STEVE		CAPT91	01 JAN 91	QM-23 FD REGT	
234900	CAPT	NICHOLS	TM	TERRY		CAPT91	01 JAN 91	TP COMD, 131 DIV LOC BTY	15/01/91
236021	CAPT	SWINSBURG	PR	PHIL		CAPT91	01 JAN 91	TP COMD, 131 DIV LOC BTY	15/01/91
555631	CAPT	MURDOCH	DM	DUNCAN		CAPT91	01 JAN 91	CPO, 111 AD BTY (LT)	
234388	CAPT	GEE	CD	CAMERON		CAPT91	01 JAN 91	TP COMD, 131 DIV LOC BTY	15/01/91
454509	CAPT	KIRBY	SRJ	SIMON		CAPT91	01 JAN 91	FO-8/12 MDM REGT	
233400	LT	PALMER	GN	GRANT		LT88	13 DEC 88	ASST ADJT, 4 FD REGT	

RAA CORPS LIST as at 05 JUN 91

Svc No..	W/RANK	SURNAME.....	INIT	KNOWN.AS..	POSTNOMINALS.....	COHORT..	W/RANK DATE	CURRENT/NEXT POSTINGS	M/I DATE.
556156	LT	PLANT	A A	ANDREW		LT88	13 DEC 88	GPO, 4 FD REGT	
454039	LT	ROACH	DA	DUNCAN		LT88	13 DEC 88	TP COMD, 111 AD BTY (LT)	
183019	LT	SCHEFE	BJ	BRADLEY		LT88	21 JUN 88	IO-8/12 MDM REGT	
149168	LT	KINGSFORD	MJ	MICHAEL	BSc	LT88	21 JUN 88	AWAIT ABSORP, 4 FD REGT	15/07/88
235784	LT	FINNEY	GW	GRAEME		LT88	21 JUN 88	SVY OFFR, 4 FD REGT	15/07/88
554989	LT	FISKE	RA	ROB	BA	LT88	13 DEC 88	GPO-8/12 MDM REGT	
183016	LT	GARRAD	AW	ANDREW	BSc	LT88	13 DEC 88	ASST GPO, 1 FD REGT	
556155	LT	HEALY	MB	MARK		LT88	13 DEC 88	PL COMD, 1 RTB	15/01/91
232337	LT	COWLEY	CGE	CHRIS	BA	LT88	13 DEC 88	PL COMD, 1 RTB	
2303268	LT	CRAWFORD	RJ	ROB		LT88	13 DEC 88	FO, 4 FD REGT	
184223	LT	CARRODUS	M	MATTHEW		LT88	21 JUN 88	GPO, 1 FD REGT	
328504	LT	BAGNALL	SA	STUART		LT88	13 DEC 88	GPO-8/12 MDM REGT	
2305637	LT	CLEVERLY	JW	JEFF		LT88	13 DEC 88	IO, 16 AD REGT	15/01/89

RAA CORPS LIST as at 05 JUN 91

Svc No..	W/RANK	SURNAME.....	INIT	KNOWN.AS..	POSTNOMINALS.....	COHORT..	W/RANK DATE	CURRENT/NEXT POSTINGS	M/I DATE.
233396	LT	WALKER	SP	STEVEN	BA	LT88	13 DEC 88	SECT COMD, 131 DIV LOC BTY	
5101163	LT	LIGHT	GM	GARY		LT88	21 JUN 88	ASST ADJT, 16 AD REGT	15/07/88
233401	LT	MADDEN	DC	DARA	BA	LT88	13 DEC 88	LO, HQ 1 BDE	
454712	LT	MCKAY	PD	PAUL		LT88	21 JUN 88	TP COMD, 111 AD BTY(LT)	15/07/88
326684	LT	NEES	CL	CHRIS	BA	LT88	13 DEC 88	TP COMD, 16 AD REGT	15/01/89
1101391	LT	KENDALL	SGC	STEVE		LT88	13 DEC 88	IO, 1 FD REGT	15/01/89
238013	LT	O'BRIEN	JG	JAMES		LT89	12 DEC 89	ASST ADJT, 1 FD REGT	15/01/90
2307495	LT	OVERHEU	RW	RICHARD		LT89	12 DEC 89	BTY LDR, 1 FD REGT	15/01/90
327312	LT	FLOYD	NH	NICK		LT89	12 DEC 89	SVY OFFR-8/12 MDM REGT	25/02/91
237158	LT	BURCH	IW	IAN		LT89	21 JUN 89	GPO, 1 FD REGT	03/07/89
237149	LT	MOWLE	DR	DAMIEN		LT89	21 JUN 89	SIG OFFR, 1 FD REGT	15/01/91
234523	LT	D'CRUZ	AR	ANDRE		LT89	12 DEC 89	ASST GPO-8/12 MDM REGT	25/02/91
3206004	LT	JONES	MD	MATTHEW		LT89	21 JUN 89	BTY LDR, 4 FD REGT	24/01/90
237138	LT	CONNOLLY	CT	CHRIS		LT89	21 JUN 89	TP COMD, 16 AD REGT	
554976	LT	REID	DW	DAMON		LT89	21 JUN 89	PL COMD, 1 RTB	
5101578	LT	RICHARDS	PS	PAUL		LT89	12 DEC 89	SECT COMD, 131 DIV LOC BTY	15/01/91
6100493	LT	HARDING	SE	SHAUN		LT89	21 JUN 89	SECT COMD, 131 DIV LOC BTY	15/01/91

RAA CORPS LIST as at 05 JUN 91

Svc No..	W/RANK	SURNAME.....	INIT	KNOWN.AS..	POSTNOMINALS.....	COHORT..	W/RANK DATE	CURRENT/NEXT POSTINGS	M/I DATE.
237133	LT	SELL	WL	WARWICK		LT89	21 JUN 89	FO, 4 FD REGT	24/01/90
556591	LT	SUTHERLAND	TJ	TIM		LT89	12 DEC 89	GPO, 4 FD REGT	15/01/90
234376	LT	BLANCH	RA	RICHARD		LT89	21 JUN 89	SIG OFFR, 4 FD REGT	
2302858	LT	DAVIS	JP	JAMES	BComm	LT89	12 DEC 89	ASST ADJT-8/12 MDM REGT	25/02/91
238418	LT	SUMMERSBY	SA	STEVEN		LT90	26 JUN 90	AWAITING ABSORPTION, 4 FD REGT	
238817	LT	GRIGGS	TD	TIM		LT90	11 DEC 90	DUTY, 4 FD REGT	15/01/91
238563	LT	WEST	CR	CHRIS		LT90	26 JUN 90	AWAITING ABSORPTION, 4 FD REGT	
238564	LT	WILTON	DHR	DAVID		LT90	26 JUN 90	AWAITING ABSORPTION, 8/12 MDM REGT	
186023	LT	NICHOLS	SJ	STEPHEN		LT90	11 DEC 90	, REGT DUTY, 4 FD REGT	15/01/91
3207812	LT	BOLLARD	AM	ARRAN		LT90	11 DEC 90	, REGT DUTY, 1 FD REGT	15/01/91
186417	LT	BOLTON	GM	GREG		LT90	11 DEC 90	, REGT DUTY, 4 FD REGT	15/01/91
328909	LT	FRENCH	MD	MICHAEL		LT90	11 DEC 90	REGT DUTY, 16 AD REGT	15/01/91
238547	LT	BIRCH	MD	MATTHEW		LT90	26 JUN 90	IO-16 AD REGT	20/05/91
235861	LT	ROHAN-JONES	SG	STEPHEN	BA	LT90	11 DEC 90	LTS, HONS YEAR, ADFA	
329900	LT	RYAN	ST	SEAN		LT90	11 DEC 90	, REGT DUTY, 1 FD REGT	15/01/91
2308512	LT	McINTOSH	SA	STUART		LT90	11 DEC 90	, REGT DUTY, 1 FD REGT	15/01/91

RAA CORPS LIST as at 05 JUN 91

Svc No..	W/RANK	SURNAME.....	INIT	KNOWN.AS..	POSTNOMINALS,.....	COHORT..	W/RANK DATE	CURRENT/NEXT POSTINGS	M/I DATE.
329899	LT	McINERYE	AP	TONY		LT90	11 DEC 90	, REGT DUTY, 1 FD REGT	15/01/91
235834	LT	BOURQUIN	MR	MARTIN	BSc	LT90	11 DEC 90	LTS, HONS YEAR, ADFA	
183783	LT	GOODLACE	A	ANDREW		LT90	26 JUN 90	ASST GPO-8/12 MDM REGT	25/02/91
556682	LT	POLICH	AJW	ANTHONY		LT90	26 JUN 90	BTY LDR-8/12 MDM REGT	25/02/91
4102428	LT	PLUMMER	MJ	MARC	BA	LT90	11 DEC 90	, REGT DUTY, 16 AD REGT	15/01/91
235845	LT	FURINI	CD	CRAIG	BSc	LT90	11 DEC 90	BTY LDR-8/12 MDM REGT	25/02/91

ACTIVE ARES RAA CORPS LIST as at 10 JUL 91

Svc No..	W/RANK	SURNAME.....	INIT	POSTNOMINALS.....	COHORT..	W/RANK DATE	CURRENT/NEXT POSTINGS	M/I DATE.	MD
181315	CAPT	LAIRD	RJ		CAPT90	17 JUN 90	BTY CAPT, FIELD BATTERY (THREE), 5/11 FD	12/04/91	1
1736469	CAPT	LATTER	KJ		CAPT84	03 MAY 83	FO, FIELD BATTERY (THREE), 5/11 FD REGT	12/04/91	1
149210	CAPT	OWEN	WG		LT87	09 JAN 90	IO, REGIMENTAL HEADQUARTERS, 5/11 FD REGT	16/06/91	1
54170	CAPT	SALTER	KJ		CAPT82	01 JAN 82	TP COMD (CAPT) WPN LOC TP HQ - 131 DIV L	02/02/88	1
111806	CAPT	SIMONDS	KD		CAPT89	01 FEB 89	BTY CAPT, FD BTY - 5/11 FD REGT	10/07/89	1
169218	CAPT	TESSIER	SC		CAPT91	11 SEP 90	STUDENT, HEADQUARTERS RSCS, HQ TRG COMD	15/06/91	1
118750	LT	ADCOCK	AI	BA	LT89	25 DEC 86	FO, FIELD BATTERY (THREE), 5/11 FD REGT	16/06/91	1
168492	LT	BIGGIN	AG	BApp Sc	LT89	23 AUG 87	SO3 (OPS), OPERATIONS, HQ 11 BDE	15/06/91	1
1103799	LT	BIZZELL	SG		LT90	19 DEC 89	FO, FIELD BATTERY (THREE), 5/11 FD REGT	12/04/91	1
1104704	LT	BROCKETT	R		LT90	14 MAR 91	BTY LDR (LT) FD BTY - 1 FD REGT	09/11/89	1
1102913	LT	COLLINGWOOD	SD		LT88	08 NOV 88	AWAITING REPOST, SUPERNUMERARY MANPOWER,	18/06/91	1
1101466	LT	CROWLEY	GV		LT90	27 MAY 90	CP OFFR (LT), SND RANGE TP - 131 DIV LOC	19/07/90	1
280739	LT	GILLETT	PR		LT77	03 MAR 77	SUPERNUMERARY, 1 ARRU	07/09/90	1
1101527	LT	GIRLE	AJ		2LT90	08 APR 90	BTY LDR, FIELD BATTERY (THREE), 5/11 FD R	12/04/91	1
148855	LT	HALL	IR		LT88	30 JAN 86	FO, FIELD BATTERY (THREE), 1 FD REGT	16/06/91	1
1100404	LT	KENDALL	AR		LT90	02 MAY 88	GPO, FIELD BATTERY (THREE), 5/11 FD REGT	12/04/91	1
1103972	LT	LO SCHIAVO	JP		LT91	14 JUN 91	SUPERNUMERARY - 5/11 FD REGT	11/03/90	1
1104962	LT	MOORE	RS		LT91	14 JUN 91	ASST GPO, FIELD BATTERY (THREE), 5/11 FD	12/04/91	1
1102224	LT	O'BRIEN	TC		LT89	02 MAY 88	FO, FIELD BATTERY (THREE), 5/11 FD REGT	12/04/91	1

ACTIVE ARES RAA CORPS LIST as at 10 JUL 91

Svc No..	W/RANK	SURNAME.....	INIT	POSTNOMINALS.....	COHORT..	W/RANK DATE	CURRENT/NEXT POSTINGS	M/I DATE.	MD
114829	LT	O'CONNELL	MJ		LT91	14 JUN 91	GPO, FIELD BATTERY (THREE), 5/11 FD REGT	12/04/91	1
1106587	LT	PERKINS	SN		LT91	14 JUN 91	SVY OFFR, HEADQUARTERS BATTERY, 5/11 FD R12/04/91		1
118809	LT	ROGERS	DJ		LT86	12 AUG 84	2IC, ADMINISTRATION COMPANY HEADQUARTERS, 15/06/91		1
1103812	LT	STEWART	DM		LT89	02 MAY 88	ASST ADJT, REGIMENTAL HEADQUARTERS, 5/11	17/05/91	1
118720	LT	WILSON	MK		LT88	08 MAY 87	FO, FIELD BATTERY (THREE), 5/11 FD REGT	01/07/91	1
1106569	2LT	BLISS	SK		-489	12 NOV 89	ASST GPO, FIELD BATTERY (THREE), 5/11 FD	12/04/91	1
2307548	2LT	DE LA SALA	ERP	BBus	2LT91	21 APR 91	ASST ADJT, REGIMENTAL HEADQUARTERS, 7 FD	28/05/91	1
1102199	2LT	FINCH	M		2LT90	18 AUG 90	OCDT, OCTU - 1 TRG GP	01/01/89	1
1106502	2LT	TAYLOR	AK		2LT90	08 APR 90	ASST GPO(LT)FD BTY - 1 FD REGT	30/05/90	1
1108154	OCDT	MADSEN	MK		-489	01 DEC 89	SECT COMD, RADAR SECTION (THREE), 131 DIV	21/04/91	1
1108131	OCDT	MANDIKOS	MN		-489	01 DEC 89	SECT COMD, SURVEY SECTION (TWO), 131 DIV	21/04/91	1
2116548	BRIG	KEEFE	JP	RFD	BRIG90	01 APR 90	COMD 8 BDE	01/04/90	2
217433	COL	COCHRANE	MJ	psc, G(a), BA(Mil)(Stud)	COL90	01 JUL 90	COMD, CDA,	01/07/90	2
147241	COL	ENGLISH	AW		COL86	01 JAN 86	COMD LC ARTY - LHQ	01/01/88	2
235294	LTCOL	BEDFORD	DJ	jssc, psc, BA	LTCOL80	01 JUL 80	PROJ OFFR (LTCOL) RSG, DOD (AO)	06/03/89	2
2147398	LTCOL	BROADHEAD	KJ	RFD, jssc, BEC	LTCOL81	03 JUL 81	INSTR (MAJ) MIL OPS DUTY, RCSC - 2 TRG G	21/03/90	2
2152794	LTCOL	FAIRLESS	JAL		LTCOL90	06 NOV 90	CO, REGIMENTAL HEADQUARTERS, 7 FD REGT	06/11/90	2
256924	LTCOL	HAWKINS	N		LTCOL80	08 JUL 80	RSL 2MD	21/03/90	2
254625	LTCOL	HILL	RJ		LTCOL86	13 AUG 86	RSL - RSL 2MD	11/05/88	2

ACTIVE ARES RAA CORPS LIST as at 10 JUL 91

Svc No..	W/RANK	SURNAME.....	INIT	POSTNOMINALS.....	COHORT..	W/RANK DATE	CURRENT/NEXT POSTINGS	M/I DATE.	MD
2787429	LTCOL	JACKSON	RG	psc	LTCOL86	17 NOV 86	PROJ OFFR (LTCOL) RSG	13/07/87	2
56183	LTCOL	JAQUES	RV	psc(a), qtc, -BSc(Mil)	LTCOL86	22 FEB 88	RETIRE, RSL 2 MD (CANBERRA)	15/01/91	2
1201126	LTCOL	KAHLER	PJ	psc, BA, Grad Dip Admin, Dip Mil Stud	LTCOL84	17 DEC 84	PROJ OFFR (LTCOL) RSG	01/09/90	2
2801529	LTCOL	KARIKS	AJ	RFD, BBus	LTCOL90	24 FEB 90	SO1 (PLANS), PLANS PROJECT CELL, HQ 2 DIV04/06/91		2
218323	LTCOL	KIRKWOOD	JC	psc, BA(Mil)(Stud), Dip Occ Hlth/Safety	LTCOL90	01 JUL 90	CO (LTCOL) RHQ, 23 FD REGT	01/07/90	2
448239	LTCOL	NOELL	KD		LTCOL91	01 JAN 91	SO1 (STR MNGT), ARES STR AND PERS MNGT, H01/01/91		2
352867	MAJ	BARROW	DJ		MAJ85	11 JAN 83	SO2 COORD, HQ 2 DIV	15/01/90	2
2192531	MAJ	BRENNAN	RJ		CAPT87	01 JAN 90	BC (MAJ) FD BTY - 23 FD REGT	01/01/90	2
2186018	MAJ	CHAPMAN	P		CAPT82	06 AUG 86	2IC (MAJ) RHQ - 23 FD REGT	14/12/88	2
2410981	MAJ	COASTER-GARTON	MJ		MAJ90	17 NOV 88	SI (MAJ), NCO TRG SECT - 2 TRG GP	23/02/90	2
2147569	MAJ	CORBETT	RM		MAJ91	13 APR 90	2IC, REGIMENTAL HEADQUARTERS, 7 FD REGT	17/12/90	2
112031	MAJ	FITZGERALD	MJ		MAJ86	01 JUL 86	INSTR (MAJ) MIL OPS DUTY - 2 TRG GP	12/09/90	2
2201868	MAJ	GILL	GA		CAPT84	01 JAN 90	BC (MAJ) FD BTY	10/09/90	2
39519	MAJ	HILL	GG	AssocDipComp	MAJ81	03 JUL 78	PROJ OFFR (MAJ) RSG OCGS	15/10/90	2
2239241	MAJ	LAURENCE	MD		MAJ87	25 OCT 85	BC (MAJ) FD BTY - 7 FD REGT	15/11/89	2
3112523	MAJ	LENARD	HR		MAJ82	12 NOV 79	RSL (MED), , RSL 2MD (ALLOT TO 4/3 RNSWR24/06/91		2
2201630	MAJ	MILIC	GKH		MAJ91	01 SEP 89	BC (MAJ) FD BTY - 7 FD REGT	21/06/89	2
223687	MAJ	MOREHOUSE	AH			27 FEB 91	SO2 (PERS/LOG), ARTILLERY PERSONNEL/LOGIS10/04/91		2
2147416	MAJ	MORISON	JW		MAJ80	14 JUL 79	RSL	03/03/88	2

ACTIVE ARES RAA CORPS LIST as at 10 JUL 91

Svc No..	W/RANK	SURNAME.....	INIT	POSTNOMINALS.....	COHORT..	W/RANK DATE	CURRENT/NEXT POSTINGS	M/I DATE.	MD
2147558	MAJ	ROBERTS	BL		MAJ89	01 JUL 87	BC (MAJ) FD BTY - 23 FD REGT	14/12/88	2
168918	MAJ	TAPP	WR		CAPT88	01 JAN 90	SI, TRAINING HEADQUARTERS, QAC TRG UNIT	14/01/91	2
220195	MAJ	WILSON	JV		CAPT85	01 JAN 90	SO2 (OPS) OPS SECT, AWCG - HQ TRG COMD	01/01/90	2
263719	CAPT	BROAD	PI		CAPT88	01 JUL 88	STUDENT, HEADQUARTERS RSCS, HQ TRG COMD	01/07/91	2
281191	CAPT	CARRODUS	MJ		CAPT87	01 JUL 86	FO (CAPT) FD BTY - 23 FD REGT	14/12/88	2
263722	CAPT	CONDON	SG		CAPT89	01 JUL 88	BTY CAPT, FD BTY - 7 FD REGT	17/11/88	2
2131140	CAPT	CROZIER	KJ		CAPT87	01 JUL 86	STUDENT, HEADQUARTERS RSCS, HQ TRG COMD	01/07/91	2
263725	CAPT	DAVEY	GW		CAPT90	14 APR 90	AWAITING ABSORPTION, SUPERNUMERARY MANPOW06/05/91		2
227644	CAPT	DUNAND	AJ		LT88	01 JUL 91	COY 2IC, RIFLE COMPANY HEADQUARTERS, UNSW01/07/91		2
318612	CAPT	GAYNOR	BJ		CAPT84	27 AUG 82	ASST GLO (CAPT) 66 GL SECT - 1 GL GP	20/04/86	2
436091	CAPT	HOGGE	RAM		CAPT81	29 APR 81	FO (CAPT), FD BTY - 7 FD REGT	29/08/89	2
2164843	CAPT	JACKSON	KM		CAPT84	17 OCT 84	SO3 (OPS), ARTILLERY OPERATIONS STAFF, HQ01/01/91		2
2147619	CAPT	JONES	HJ		CAPT	29 APR 81	FO (CAPT)	15/10/90	2
216551	CAPT	KAPLUN	JK		CAPT90	01 JUN 90	SO3 (CAPT) MS - HQ 2 DIV	01/06/90	2
2147660	CAPT	MORRISON	RM		LT78	04 SEP 85	ADMIN OFFR, RESERVE COMMAND AND STAFF COL21/06/91		2
2111790	CAPT	RAISBECK	AH		CAPT89	01 FEB 89	FO (CAPT) FD BTY - 23 FD REGT	01/02/89	2
2192106	CAPT	SAMUEL	R		LT79	20 NOV 85	SO3 CESRF - HQ 2 MD	01/05/88	2
283018	CAPT	SHADAY	MM		CAPT91	01 JUL 91	FO, FIELD BATTERY (THREE), 23 FD REGT	01/07/91	2
2147938	CAPT	WALDER	CS		CAPT89	01 JUL 88	FO (CAPT) FD BTY - 7 FD REGT	17/11/88	2

ACTIVE ARES RAA CORPS LIST as at 10 JUL 91

Svc No..	W/RANK	SURNAME.....	INIT	POSTNOMINALS.....	COHORT..	W/RANK DATE	CURRENT/NEXT POSTINGS	M/I DATE.	MD
175901	LTCOL	ALDENTON	SD	RFD	LTCOL86	01 JUL 86	SI, LEADERSHIP, MANAGEMENT AND ADMINISTRATION	15/01/91	1
111676	LTCOL	CRUICE	RA	BEd, Teach Cert, Dip Teach	LTCOL88	28 OCT 88	INSTR (LTCOL) MIL OPS DUTY RCSC WG - 1 TR	28/10/88	1
47037	LTCOL	LONG	JC	G, psc	LTCOL78	10 APR 78	RSL (RETIREMENT), , RSL 2MD	15/01/91	1
176879	LTCOL	WEST	RW	RFD	LTCOL90	01 JAN 90	CO (LTCOL) RHQ - 5/11 FD REGT	01/01/90	1
147271	MAJ	COSGROVE	RB		MAJ80	18 DEC 72	INSTR (MAJ) TRG DUTY	01/01/90	1
2117126	MAJ	D'ALTON	LF		CAPT88	01 FEB 91	BC, FIELD BATTERY (THREE), 5/11 FD REGT	09/12/90	1
3411080	MAJ	GLEW	RJ		MAJ82	01 JUL 81	BC (MAJ) FD BTY - 5/11 FD REGT	08/08/88	1
112126	MAJ	IRON	RW		MAJ86	10 JAN 85	2IC (MAJ) RHQ - 5/11 FD REGT	03/12/89	1
61367	MAJ	MORLEY	IC		MAJ87	02 JUL 86	BC (MAJ) FD BTY - 5/11 FD REGT	08/08/88	1
19945	MAJ	WICKENDEN	RN	psc	MAJ76	15 FEB 74	S02 ARES STR MNGT- DSG NQ	04/08/88	1
625030	MAJ	YAXLEY	PE		CAPT85	25 AUG 87	INSTR(MAJ),TRG DUTY - 1 TRG GP	13/02/90	1
231665	CAPT	CARR	MD		LT86	15 JAN 89	ARTY INT OFFR(CAPT)BTY HQ	02/12/89	1
148399	CAPT	CUMMING	RD		CAPT89	01 FEB 87	FO (CAPT) FD BTY - 5/11 FD REGT	22/10/88	1
110181	CAPT	EASTES	JC		CAPT89	18 JUN 89	FO(CAPT)FD BTY - 1 FD REGT	25/01/90	1
218724	CAPT	FIELD	DJ		CAPT91	01 JUL 91	OC, HEADQUARTERS COMPANY	01/07/91	1
128042	CAPT	FLEMING	AO		LT88	12 OCT 88	RSL 1MD	03/12/90	1
54411	CAPT	GRATWICK	DP		CAPT80	01 FEB 80	RSL	17/07/87	1
2138622	CAPT	HARLAND	JA		CAPT88	06 AUG 88	FO (CAPT) FD BTY - 5/11 FD REGT	25/01/90	1
1410973	CAPT	HEGARTY	JJ		CAPT81	26 JUN 81	FO (CAPT) FD BTY - 5/11 FD REGT	08/08/88	1

ACTIVE ARES RAA CORPS LIST as at 10 JUL 91

Svc No..	W/RANK	SURNAME.....	INIT	POSTNOMINALS.....	COHORT..	W/RANK DATE	CURRENT/NEXT POSTINGS	M/I DATE.	MD
3130360	MAJ	DALLA COSTA	MG		MAJ89	01 JUL 87	2IC (MAJ) RHQ - 2/15 FD REGT	28/07/90	3
362232	MAJ	DALTON	RP		MAJ91	15 APR 88	AWAITING REPOST, SUPERNUMERARY MANPOWER, 17/04/91		3
362338	MAJ	JACKSON	FB		MAJ90	24 DEC 87	BC (MAJ) MDM BTY - 10 MDM REGT	07/11/88	3
3130072	MAJ	SHEARD	J		CAPT86	10 JUN 88	2IC(MAJ) RHQ - 10 MDM REGT	07/11/88	3
356749	CAPT	BELFRAGE	ED		CAPT86	27 FEB 85	COY 2IC, HEADQUARTERS, DUC	20/02/91	3
357364	CAPT	HARRIS	RV		CAPT89	02 DEC 87	POSTED - RSL 3MD 24/01/90FO, FIELD BATTERY (THREE), 2/15 FD REGT 01/08/91		3
1202703	CAPT	KOCKA	JR		CAPT89	28 JUN 89	STUDENT, HEADQUARTERS RSCS, HQ TRG COMD	16/06/91	3
3130820	CAPT	LAMBERT	JD		CAPT91	02 DEC 87	BTY CAPT(CAPT) MDM BTY - 10 MDM REGT	07/11/88	3
3130822	CAPT	PEARSON	JR		CAPT90	29 NOV 89	FO (CAPT) FD BTY - 2/15 FD REGT	29/11/89	3
357306	CAPT	ROWLEY	PA		CAPT88	01 JUL 87	AWAITING REPOST, SUPERNUMERARY MANPOWER, 19/04/91		3
3130671	CAPT	SANDBACH	AW		CAPT86	01 OCT 85	FO (CAPT) FD BTY - 2/15 FD REGT	01/04/90	3
393119	CAPT	TAYLOR	DW		CAPT90	30 NOV 88	FO (CAPT) FD BTY - 2/15 FD REGT	20/11/88	3
354176	CAPT	TRAILL	JA		CAPT89	02 DEC 87	REGT TECH ADJT, REGEMENTAL HEADQUARTERS, 05/03/91TECH OFFR, HEADQUARTERS RECONNAISSANCE SQ17/07/91		3
362140	CAPT	VENN	SC		CAPT87	08 OCT 86	FO (CAPT) FD BTY	24/10/90	3
3144656	CAPT	WOMACK	ML		CAPT90	02 DEC 87	FO (CAPT) FD BTY - 2/15 FD REGT	26/11/88	3
117658	LT	BASSANI	AC	BBus	LT90	10 JUL 88	GPO, FIELD BATTERY, 7 FD BTY 3 FD REGT	01/05/91	3
3100036	LT	BATES	SC		LT90	18 MAR 89	BTY LDR (LT) MDM BTY - 10 MDM REGT	18/03/89	3
374452	LT	BENNETT	KW		LT88	21 APR 88	GPO (LT) MDM BTY - 10 MDM REGT	07/11/88	3

ACTIVE ARES RAA CORPS LIST as at 10 JUL 91

Svc No..	W/RANK	SURNAME.....	INIT	POSTNOMINALS.....	COHORT..	W/RANK DATE	CURRENT/NEXT POSTINGS	M/I DATE.	MD
2191114	CAPT	WILSON	RD		CAPT90	01 JUL 89	FO (CAPT) FD BTY - 7 FD REGT	01/07/89	2
2304624	LT	ATTARD	A		2LT90	01 SEP 90	BTY LDR	01/09/90	2
2306524	LT	CHARLTON	MJ		LT90	27 AUG 88	BTY LDR (LT), FD BTY - 23 FD REGT	11/07/89	2
2109821	LT	CLARK	DJ		LT87	03 MAR 85	FO, FIELD BATTERY, 23 FD REGT	12/02/91	2
116398	LT	DAWES	PF		LT87	11 FEB 87	BTY CAPT, FIELD BATTERY (THREE), 5/11 FD 16/06/91		2
291503	LT	GARVEN	CJ		LT91	01 JAN 91	ASST GPO, FIELD BATTERY (THREE), 7 FD REG19/11/90		2
263816	LT	GREEN	LJ		LT88	18 AUG 86	FO(CAPT) FD BTY - 23 FD REGT	09/11/89	2
3202815	LT	HAVARD	RW		LT88	23 SEP 88	GPO (LT), FD BTY - 7 FD REGT	17/11/88	2
2102010	LT	IENTILE	FA		LT89	17 NOV 88	BTY LDR, FIELD BATTERY (THREE), 7 FD REGT01/07/91		2
2102078	LT	MEEKAN	GN		LT88	14 MAY 87	GPO (LT) FD BTY - 23 FD REGT	28/06/89	2
282997	LT	STEVENSON	BP		LT88	14 DEC 88	ASST GPO (LT) FD BTY - 23 FD REGT	09/11/89	2
2305301	2LT	BRYANT	GW		2LT91	16 MAR 91	GPO, FIELD BATTERY (THREE), 7 FD REGT	16/03/91	2
2305087	2LT	KOLYVAS	T		2LT90	10 MAR 90	ASST ADJT (LT) RHQ - 23 FD REGT	10/03/90	2
2308909	2LT	NETTLE	GC		2LT90	04 AUG 90	BTY LDR, FIELD BATTERY (THREE), 23 FD REG21/06/91		2
1105932	2LT	PRESTON	AG		2LT91	09 MAR 91	ASST GPO, FIELD BATTERY (THREE), 7 FD REG09/03/91		2
211750	2LT	SATO	JA		2LT89	02 SEP 89	ASST GPO (LT) FD BTY - 23 FD REGT	02/09/89	2
175005	LTCOL	BUCKRIDGE	MR	BA, MBA	LTCOL87	01 JUL 87	INSTR, MILITARY OPERATIONS DUTY, 3 TRG GP01/12/90		3
362131	MAJ	ALKEMADE	PD		MAJ85	03 APR 84	BC(MAJ),MDM BTY - 10 MDM REGT	11/10/89	3
362222	MAJ	COLE	JP		CAPT85	11 MAY 88	BC (MAJ) FD BTY - 2/15 FD REGT	07/11/88	3

ACTIVE ARES RAA CORPS LIST as at 10 JUL 91

Svc No..	W/RANK	SURNAME.....	INIT	POSTNOMINALS.....	COHORT..	W/RANK DATE	CURRENT/NEXT POSTINGS	M/I DATE.	MD
6100620	LT	BENNETT	SJ		LT90	20 FEB 91	GPO(LT),FD BTY	03/08/90	3
353735	LT	BLACK	KW		LT86	02 APR 86	SIG OFFR (LT) HQ BTY - 2/15 FD REGT	20/12/89	3
358585	LT	BRIGHT	SG		LT91	20 FEB 91	04Y OFFR (LT) HQ BTY - 10 MDM REGT	02/12/89	3
378956	LT	EDWARDS	DA		LT90	17 JUN 87	STUDENT, HEADQUARTERS RSCS, HQ TRG COMD	01/06/91	3
3203069	LT	FENNELL	PB		LT90	21 MAR 90	RECCE OFFR, HEADQUARTERS, 91 FORESTRY SQN29/05/91		3
3203906	LT	KOSTADINOVIC	A		LT90	01 DEC 90	ASST GPO (LT) MDM BTY - 10 MDM REGT	18/03/89	3
3206109	LT	LAIDLAW	CAR		2LT91	23 FEB 91	CHAP, REGIMENTAL HEADQUARTERS, 2/15 FD RE23/02/91		3
3203398	LT	PIGDON	AS		LT91	29 APR 91	BTY LDR (LT) FD BTY - 2/15 FD REGT	02/03/90	3
3202625	LT	SCOTT	K		LT88	31 MAR 88	ASST GPO (LT) FD BTY - 2/15 FD REGT	07/11/88	3
3110724	LT	SHIELDS	DA		LT88	21 APR 88	STUDENT, HEADQUARTERS RSCS, HQ TRG COMD	01/06/91	3
3100061	LT	WEGMAN	J		LT86	02 DEC 84	FO (CAPT)	28/11/90	3
3204575	2LT	DARBY	RJ		2LT89	18 MAR 89	BTY LDR (LT) MDM BRY - 10 MDM REGT	18/03/89	3
3207770	2LT	DAVIES	BJ		2LT91	17 MAR 91	AWAITING ABSORPTION, SUPERNUMERARY MANPOW17/03/91		3
3206987	2LT	NAIRN	TMJ			24 FEB 91	SVY OFFR, HEADQUARTERS BATTERY, 2/15 FD R24/02/91		3
3206991	2LT	SMITH	SC		2LT91	23 FEB 91	IO, REGIMENTAL HEADQUARTERS, 2/15 FD REGT23/02/91		3
4720630	LTCOL	PIRISTI	AW	RFD	LTCOL91	22 APR 91	INSTR, MILITARY OPERATIONS DUTY, 4 TRG GP22/04/91		4
213766	LTCOL	WRIGHT	BJ	psc	LTCOL90	01 JAN 90	CI (LTCOL) OCTU - 4 TRG GP	01/05/90	4
424590	MAJ	ADLAM	RI		MAJ87	04 AUG 87	RSL (FIS HQ TRG COMD)	01/05/90	4
449922	MAJ	FLINN	GA		MAJ86	24 FEB 86	INSTR (MAJ) MIL OPS DUTY	29/03/90	4

ACTIVE ARES RAA CORPS LIST as at 10 JUL 91

Svc No..	W/RANK	SURNAME.....	INIT	POSTNOMINALS.....	COHORT..	W/RANK DATE	CURRENT/NEXT POSTINGS	M/I DATE.	MD
415381	MAJ	JONES	R	RFD, BBus	MAJ83	21 JUL 83	TRG OFFR (MAJ) 21/08/90OC, BRIGADE HEADQUARTERS ADMINISTRATION G09/09/91		4
424984	MAJ	LANDHERR	SF	BSc	MAJ88	08 OCT 88	BC (MAJ), 48 FD BTY	23/02/90	4
415151	MAJ	LAURIE	GS	RFD, BA(Soc Sc), Dip Bus Admin	MAJ75	01 JAN 75	AWAITING REPOST, SUPERNUMERARY MANPOWER,	01/07/91	4
411855	CAPT	BRENSTON	GE		CAPT90	13 JUL 90	CPO (CAPT) CP TP - 16 AD REGT	13/12/89	4
414763	CAPT	FRANKE	KG	ED	CAPT83	01 MAR 83	ADMIN OFFR (CAPT) ADMIN RCSC - 4 TRG GP	20/09/89	4
415267	CAPT	MCINERNEY	KJ	AM, ED	CAPT87	01 AUG 87	FO (CAPT) FD BTY - 6/13 FD REGT	08/09/88	4
417342	CAPT	MILIOS	J		CAPT88	01 DEC 88	STUDENT, HEADQUARTERS RSCS, HQ TRG COMD	01/06/91	4
415500	CAPT	ROBERTSON	GT		CAPT85	06 SEP 85	CP OFFR, OPERATIONS, HQ 9 BDE	01/01/91	4
351327	CAPT	WARDROP	CV		LT84	10 JUN 88	RSL	24/08/88	4
439407	CAPT	WARRICK	PJ		CAPT90	27 MAY 90	FO (CAPT) FD BTY, 48 FD BTY - 6/13 FD REG	13/12/89	4
4100698	LT	JAMES	SB		LT88	17 MAY 86	STUDENT, HEADQUARTERS RSCS, HQ TRG COMD	01/06/91	4
4102238	LT	NEWMAN	ATC		2LT90	05 MAR 90	BTY LDR (LT) 48 FD BTY	05/03/90	4
437116	2LT	KIERNIS	W		2LT91	02 MAR 91	AWAITING ABSORPTION, SUPERNUMERARY MANPOW	02/03/91	4
510817	LTCOL	FARREL	PC	BEd	LTCOL88	01 FEB 88	SI (LTCOL) LEADERSHIP, MNGT & ADMIN DUTY	07/10/89	5
55093	LTCOL	LAWLER	RA	psc, G	LTCOL84	14 MAY 84	CI (LTCOL) RCSC, 5 TRG GP	01/01/90	5
551139	MAJ	MAHONEY	PJ		MAJ89	16 AUG 89	BC (MAJ) FD BTY - 7 FD BTY	16/08/89	5
536181	CAPT	BLYLEVENS	J		CAPT89	21 MAY 89	FO (CAPT) FD BTY - 7 FD BTY	01/01/89	5
531708	CAPT	CAPLE	SC	BApp Sc	CAPT86	19 JUL 85	STUDENT, HEADQUARTERS RSCS, HQ TRG COMD	01/07/91	5
5100289	CAPT	D'UVA	GI		CAPT91	01 FEB 91	FO (CAPT) FD BTY - 7 FD BTY	01/07/90	5

ACTIVE ARES RAA CORPS LIST as at 10 JUL 91

Svc No..	W/RANK	SURNAME.....	INIT	POSTNOMINALS.....	COHORT..	W/RANK DATE	CURRENT/NEXT POSTINGS	M/I DATE.	MD
550195	CAPT	FARRELLY	RB	BBus	CAPT85	18 DEC 85	SO3 (OPS), OPERATIONS, HQ 13 BDE	01/01/91	5
522839	CAPT	TABOR	JH		CAPT91	01 JUL 91	FO (CAPT) FD BTY, 7 FD BTY - 3 FD REGT	05/09/90	5
5103451	LT	DONALDSON	RJ		LT91	12 FEB 91	BTY LDR (LT) FD BTY - 7 FD BTY	01/01/90	5
66969	LTCOL	CAMERON	MA	RFD, BBus	LTCOL90	01 JUL 90	SO1 (RESERVE), ARMY RESERVE STRENGTH MANA	26/09/90	6
67042	LTCOL	HODGE	PL	BEd, MEd, Dip Teach	LTCOL91	04 MAR 91	SI, MIL OPS DUTY, RCSC WING, 6 TRG GP	04/03/91	6
415304	LTCOL	HURRELL	BG	RFD	LTCOL89	19 APR 89	PROJ OFFR, PROJECT OFFICERS, OFFICE OF CG	01/02/91	6
614517	MAJ	HEBBINK	JM		MAJ83	01 JUL 83	SO2 (TRG OPS) OPS BR - HQ 6 MD - HQ 6 MD	30/05/88	6
622463	MAJ	WRAY	NO		CAPT87	01 JUL 90	BC (MAJ) FD BTY, 16 FD BTY - 6/13 FD REG	01/07/90	6
399978	CAPT	CAMERON	CAB		LT87	01 JUL 90	FO (CAPT) 16 FD BTY	01/07/90	6
610829	CAPT	CAREY	SR		CAPT87	12 JAN 86	FO (CAPT) FD BTY, 16 FD BTY	01/07/90	6
67465	CAPT	DOYLE	AP		CAPT88	07 JUL 87	FO, FIELD BATTERY (THREE), 6/13 FD REGT	01/07/91	6
611561	CAPT	FINDLAY	J		CAPT89	01 JUL 89	OC, HEADQUARTERS, 111 COMBAT SUP PL	01/07/91	6
4101202	LT	DUNN	AJ		LT90	26 MAY 90	ASST GPO (LT) 48 FD BTY	26/04/90	6
6100250	LT	MARTIN	KS		LT89	24 MAY 89	GPO (LT), 16 FD BTY	01/01/90	6
6100103	LT	WOODMANSEE	MB		LT87	29 JUN 86	INSTR (LT) REC TRG - 6 TRG GP	20/05/89	6

185 records listed.