

The Royal Australian Artillery LIAISON LETTER

Autumn 2017



The Official Journal of the Royal Regiment of Australian Artillery
Incorporating the Australian Gunner Magazine

First Published in 1948



RAA LIAISON LETTER

Autumn Edition
2017

Incorporating the
Australian Gunner Magazine

CONTENTS

| | |
|------------------------------|----|
| Editor's Comment | 1 |
| Letters to the Editor | 3 |
| Regimental | 5 |
| Professional Papers | 17 |
| Around the Regiment | 27 |
| Rest | 39 |
| Personnel | 45 |
| Associations & Organisations | 55 |

NEXT EDITION DEADLINE

Contributions for the *RAA Liaison Letter 2017 – Spring Edition* should be forwarded to the Editor by no later than **Friday 23rd October 2017**.

Liaison Letter on-line

The Liaison Letter is on the DRN and can be found on the Head of Regiment - Royal Regiment of Australian Artillery (RRAA) Share Point Page:

<http://drnet/Army/RRAA/PublicationsOrders/Pages/Publications.aspx> Unit Content Managers are requested to add this to their links. It is also on the Royal Australian Artillery Historical Company (RAAHC) website.

Publication information

| | |
|-------------------------------|---|
| Front Cover: | The Mount Schanck Trophy; RMC-A, RAA Prize; Ewen and Mattner Awards' honour board; Head of Regiment presenting Bombardier Aaron Bamford, 20th Surveillance & Target Acquisition Regiment, the Ewen Award for RAA JNCO for 2016. B&W photograph is of Ewen & Mattner circa 1941. |
| Front Cover Theme by: | Major DT (Terry) Brennan, Staff Officer to Head of Regiment |
| Compiled and Edited by: | Major DT (Terry) Brennan, Staff Officer to Head of Regiment |
| Published by: | Brigadier Craig Furini AM, CSC, Head of Regiment |
| Desktop Publishing: | Major DT (Terry) Brennan & Assisted by Michelle Ray |
| Front Cover & Graphic Design: | DT (Terry) Brennan |
| Printed by: | Defence Publishing Service – Victoria |
| Distribution: | For issues relating to content or distribution contact the Editor on email: terry.brennan59@yahoo.com.au or terry.brennan@defence.gov.au |

Contributors are urged to ensure the accuracy of the information contained in their articles. The Royal Australian Artillery, Deputy Head of Regiment and the RAA Liaison Letter editor accept no responsibility for errors of fact. The views expressed in the Royal Australian Artillery Liaison Letter are the contributors and not necessarily those of the Royal Australian Artillery, Australian Army or Department of Defence. The Commonwealth of Australia will not be legally responsible in contract, tort or otherwise for any statement made in this publication..



BUCKINGHAM PALACE

Brigadier A. G. Warner, AM., LVO,
Representative Colonel Commandant,
Royal Regiment of Australian Artillery.

Please convey my warm thanks to the Colonels Commandant, the Head of Regiment and all Ranks of the Royal Regiment of Australian Artillery for their loyal greetings, sent on the occasion of Royal Australian Artillery Day to commemorate one-hundred and forty-five years of dedicated service to Australia and the Commonwealth.

As your Captain-General, I much appreciate your kind words on the occasion of my ninetieth birthday and, in return, I send my very best wishes to all Members of the Regiment.

ELIZABETH R.

1st August, 2016.



Australian Army

Royal Regiment of Australian Artillery

15730777

Representative Colonel Commandant

Colonels Commandant

Commanding Officers

Battery Commanders

All Ranks of the Royal Regiment of Australian Artillery

Associations and affiliated friends of the Regiment

ANNIVERSARY GREETINGS TO THE ROYAL REGIMENT OF AUSTRALIAN ARTILLERY – 1st AUGUST 2016

This year marks the 145th Anniversary of the Royal Regiment of Australian Artillery's service to the Army, our Nation and the Commonwealth. On the 1st of August we will be celebrating and honouring not only our illustrious history and recent endeavours on operations but also our heritage, customs and traditions with many commemorative events linked to Australia's ongoing Centenary of ANZAC. In particular, this year marks the 100th Anniversary of a number of our Batteries whose lineage dates back to 1916 and their raising at Tel-el-Kebir, Egypt during the 1st World War. This is a significant milestone in our history and on behalf of the Royal Regiment I send our best wishes to the Batteries and Regiments concerned. I also have no doubt that all our Regiments, Batteries, Associations and other Gunner groupings will, as always, have their own special ways of commemorating not only this anniversary, but also their collective contribution to our Regimental past.

Earlier this year the Royal Artillery celebrated its Tercentenary (Ubique 300) at Larkhill in the United Kingdom. It was clear that a huge amount of effort and forethought went into the Royal Review and I was deeply honoured to have been invited to participate and to have been able to take a young Australian Gunner from 8th/12th Regiment with me to experience a once in a lifetime event. We have a strong shared history and culture - a link I, as the Head of Regiment, am keen to reinforce; especially as we collectively commemorate the centenary of World War I – the Artillery war. We were also honoured to be part of the Ubique 300 celebrations here in Australia, when in February we were delighted to welcome members of the Royal Artillery Cricket Club whose tour was a resounding success. Matches were played in Victoria, the Australian Capital Territory and New South Wales with overall honours narrowly going to the touring side! Furthermore, a contingent from the Honourable Artillery Company drove from Perth to Sydney (via Adelaide, Melbourne and Canberra), enjoying Australian Gunner hospitality and engagement en route.

18th August 2016 will mark the 50th anniversary of the battle of Long Tan. This is an important anniversary for the RAA and Gunners more widely. The support provided by the then 1st Field Regiment with 103, 105 and 161(RNZA) Field Batteries and A Battery, 2nd Battalion, 35th US Artillery Regiment was critical to the outcome of the battle. In recognition of this, the salute at the commemorative activity will be fired by a composite battery comprising detachments from 103, 105, 161 (RNZA) and A/2/35(US) Batteries .

As a Royal Regiment we continue to be shaped by our shared past, but will be defined into the future by what we do today. Indeed, we have a reputation for embracing technology, a determination to apply it on the battlefield, and our professionalism in all that we do, both in

peace and at war is unquestioned.

On behalf of the Representative Colonel Commandant and Colonels Commandant, I sincerely thank all ranks of the Royal Regiment of Australian Artillery, both serving and retired, for their outstanding service. Let us also take the time to remember the many long serving members of the Regiment who have recently passed away and please join me in appreciating their service. They will be sadly missed.

Finally, our thoughts are with those members of the Regiment who remain deployed on operations around the world. We wish them all “good shooting” and a safe return to their families.

Ubique,



CD Furini, CSC
Brigadier
Head of Regiment
Royal Regiment of Australian Artillery

C/- School of Artillery
Bridges Barracks
Puckapunyal MILPO
VIC 3662 AUSTRALIA

02 6128 4500
craig.furini@defence.gov.au

29 July 2016



**Order of the Day
to the
Royal Regiment of Australian Artillery
Formation of 9th Regiment Royal Australian Artillery**

I am honoured to advise that the Chief of Army, Lieutenant General AJ Campbell DSC, AM has approved the raising of a new Artillery Regimental Headquarters to command the 2nd/10th, 3rd, 5th/11th, 6th/13th, 7th and 23rd Light Batteries. The Regiment will be formally raised on 15th January 2018 under the command of Lieutenant Colonel Lachlan Searle. Regimental Headquarters will be based at the Kogarah Multi-User Depot in Sydney.

Based on advice from the Regimental Committee, the Chief of Army has agreed the Regiment be titled 9th Regiment, Royal Australian Artillery (9 Regt RAA). 9 Regt RAA has a distinguished history; one of which the new Regiment will be proud. Raised at Victoria Barracks, Paddington on 1st July 1903, it is the third oldest Australian Reserve Field Artillery unit. In 1914, as 4th Australian Artillery Brigade, it provided almost every one of its officers and a substantial cadre of non-commissioned officers and men to 1st Field Artillery Brigade and 1st Divisional Ammunition Column of the AIF. It was the senior Field Artillery Brigade of 2nd Division Artillery from 1921, and between 1939 and 1941 it carried out the home training for the Sydney University Regiment Field Battery, of which Sir Roden Cutler VC was a member. At the end of 1940 it was reorganised as 9th Field Regiment for the defence of Australia.

The Regimental Master Gunner is working through Army Headquarters to have the Regimental Committee's proposed Colour and Shoulder Patches approved.

This is an exciting development for the RAA. The establishment of this new Regimental Headquarters will enable greater technical competence, ensure all ranks within the 2nd Division are better supported with joint fires advice and capability, and enhance the career paths of Reserve Gunners. Importantly, the Reserve Gunner identity is a fundamental part of the RAA, so strengthening the Reserve by raising 9 Regt will help ensure the Gunner tradition and character are preserved.

A handwritten signature in blue ink, appearing to read 'Craig Furini'.

Craig Furini AM, CSC
Brigadier
Head of Regiment

21 June 2017



*The Colonel Commandant and All Ranks of
The Royal Regiment of Canadian Artillery extend Greetings
to the Representative Colonel Commandant and All Ranks
of the Royal Regiment of Australian Artillery, on Saint
Barbara's Day, the fourth day of December, Two Thousand
and Sixteen.*

*Le colonel commandant et tous les membres du Régiment
royal de l'Artillerie canadienne saluent le colonel
commandant représentant et tous les membres du Régiment
royal de l'Artillerie australienne, en ce quatrième jour de
décembre deux mille seize, à l'occasion de la fête de la Sainte
Barbara.*

Brigadier General Ahmad bin Abu Bakar KAT AMN BSK PJM MMDS (UC) Msoc Sc Def
Stud (UKM) mpat psc (j) G

Army Headquarters
Artillery Directorate
Wisma Pertahanan
Jalan Padang Tembak
50634 KUALA LUMPUR
MALAYSIA



Tel : 03-20712579
Faks : 03-26919240

05 December 2016

PERS/3004535/2016

Brigadier Gerry Warner, Am Lvo (Retd)
Representative Colonel Commandant
Royal Regiment Of Australian Artillery
51A Stoneham Road
ATTADALE WA 6156

Dear Sir,

SAINT BARBARA'S DAY GREETING 2016

1. On behalf of the men and women of the Malaysian Royal Artillery Regiment allow me to offer my greetings to you and to all officers and all ranks of the Royal Australian Artillery for your Saint Barbara's Day celebration on 4th December 2016.
2. My sincere hope that our close ties and alliance will continue growing from strength to strength. Best wishes from our gunners to all of the Royal Regiment of Australian Artillery gunners.

Once A Gunners Always A Gunners.

Editor's Comment



Welcome to a very late 'Autumn' edition of the Liaison Letter. Unfortunately due to events beyond my control, in a nut shell the Army withdrew their Desk Top Publishing support, I was required to cancel last years 'Spring' edition. After a great deal of effort and staff work I have put in place a system that, at least for the moment, will allow me to continue to produce the Liaison Letter in its current form. To achieve this in addition to being editor I have assumed the role of desk top publisher. It has been an uphill battle to get to where we are now. Fortunately I have been able to rely on the 'voluntary' assistance Michelle Ray our previous Army Desk Top Publisher. I cannot thank her enough for her continued support to the Liaison Letter and Cannonball.

We are very fortunate to have a very proactive and outcomes focused Head of Regiment in Brigadier Craig Furini.

We are very fortunate to have a very proactive and outcomes focused Head of Regiment in Brigadier Craig Furini. It was extremely refreshing to see his commitment, dedication and work ethic not only towards the Royal Regiment but the Army and wider Australian Defence Force recognised with a Member in the Military Division of the Order of Australia (AM) in the recent Queen's Birthday Honours List. On behalf of the Regiment, and me personally, I would like to congratulate HOR on his award as it was thoroughly deserved.

Continuing the 'frustration' theme from the Liaison Letter / Cannonball desk top publishing 'saga', HOR has limited resources in terms of staff and funds to support his role. In my experience it has almost become a popular 'sport' to continually questions the validity of the HOR role and the staff support and related resourcing required to deliver his responsibilities especially leadership in a meaningful manner. I accept that we must and should continually review organisations and structures to ensure we

are delivering best value for tax payer's money. At the same time I think some of our leaders forget in the rush to make savings imposed by our political masters that 'we' are members of a very unique profession – The Profession of Arms - and that to sustain and motivate individuals who are part of this team you need to lead as well as promote the history of our forebears, and preserve heritage and traditions as part of that leadership. HOR supported by an effective staff plays a crucial role in delivering this capability for Army and the Australian people.

Continuing the 'frustration' theme from the Liaison Letter / Cannonball desk top publishing 'saga' ...

Our leaders cannot have it each way as they are attempting to do so at the moment – they appear to espouse the importance of the HOC role but then handicap the incumbent financially by not considering realistic funding bids. Currently regardless of the detail and justification included in a HOC funding bid, the 'bean counters' simply say you can only have what you received last year – what unprofessional illogical rubbish. This situation was made worse when the staff positions were transferred (in most cases) to the respective Corps schools. This move combined with different views at this level on the role and duties of a HOC and their staff has seen a view evolve within some circles that the ARA SO2 HOC position was not important and therefore was 'ripe' for the harvesting. This combined with Corps Schools wanting more 'Major' level staff has resulted in local arrangements evolving from the ARA SO2 being converted to APS; to becoming a member of the school staff eg OPSO, 2IC or as in the case of the RAA SO2 being dual hatted as SO2 HOC and 2IC.

Those who remember the closure of Corps Directorates at the end of 1997 will recall DARTY (Colonel Paul Retter) issued a comprehensive Strategic Plan in an effort to ensure a smooth and efficient transition of DARTY responsibilities to other areas. One goal in the plan was 'Safeguard and Promote RAA Traditions'. This goal attempted to group all those related responsibilities addressed by DARTY and most importantly his full-time staff, and allocate the tasks to an Honorary Head of Corps (HOC), CO/CI of the School of Artillery and a range of retired appointments and organisations such as the RAA Regimental Committee.

Those who were around in the late 90's post DARTY should recall that despite the best intentions these responsibilities slipped through the cracks and were not addressed in any meaningful long term manner and were seen as a low priority against the more pressing challenges including preparation for operations. The Honorary HOC was a 'lame duck' appointment with no real direction, no staff and essentially duplicated the role of the Representative Colonel Commandant, a retired senior officer whose role is limited by time, funding restraints and who has no 'real' authority to effect RAA matters in any meaningful way.

The Honorary HOC was a 'la me duck' appointment with no real direction, no staff ...

This approach was an unmitigated failure from an Army wide perspective including the RAA in terms of providing Corps leadership, direction, personnel management as well as ensuring the promotion and preservation of history and heritage. Unfortunately the Army unwittingly 'threw the baby out with the bath water' creating a 'rudderless' Corps whose members were starved of leadership, vision and inspiration.

After three years it was recognised that many of these less operational responsibilities had been neglected due to conflicting priorities and lack of dedicated staff, and as a result had fallen into a 'black hole / void'. To redress this capability deficiency Chief of Army directed that 'Honorary' be removed from the HOC title and that an SED be established as part of AHQ which provided, in most cases, a HOC staff comprising a dual hatted DHOC (normally the CO/CI of the Corps School); a dual hatted Corps RSM (Regimental Master Gunner); as well as two 'dedicated' staff consisting of a full-time SO2 and a part-time SO2.

As the long serving Reserve staff member of the HOR team I have seen a lot over the last 15 years and let me say that the HOR is not over staffed and he is definitely under-funded financially and in ARTS. I have also observed that the importance placed on the HOC role and staff workload varies between Corps. I believe the RAA recognises the importance of the HOR and is very pro-active in delivering capability across a wide range of responsibilities to meet 'intrinsic' as well as 'extrinsic' expectations. To permit the HOC to deliver what is expected it is

necessary to have a permanent and experienced member of staff who can be called upon on a daily basis to address the routine staff work essential to administer and support the demands placed on HOC to maintain a leadership presence across the RAA and Army. This work is underpinned by a well-resourced Reserve SO2 who is able to do more specific cyclic tasking as well as assist the full-time SO2 carry out ad hoc tasks and projects.

To even consider reducing the level of staff support for HOR is short sighted and under resourcing the HOR financially and with ARTS is most frustrating. It is no use being technically excellent unless you can actually successfully prosecute war-fighting with highly motivated and professional officers and soldiers. The role of HOR supported by his staff is essential in ensuring this is achieved through visible and genuine leadership of the Royal Regiment.

I wish our senior leaders would look to the past before making decisions on the future and acknowledge the importance of an empowered HOR and preserve our HOR structure and better resource it. This will ensure HOR not only continues to deliver positive and meaningful outcomes and leadership for the Regiment, but it will ensure he can do even more. Learn from the Past!!!!

In closing I thank everyone for your understanding for the delay in getting this edition published. I would like to acknowledge the support of the Defence Publishing Service - Victoria and their staff especially the Production Manager Simon Giles for his continued patience and understanding of my predicament as well as his offers of assistance.

Please continue to support the Liaison Letter not only by reading it but by contributing to it. Until next time I wish you good reading.



DT (Terry) Brennan
Major
Editor

Email: terry.brennan59@yahoo.com.au or
terry.brennan@defence.gov.au

Mobile: 0419 179 974

Letters to the Editor

RAA Stud Books & Lists

Whilst researching a serving officer recently, I was dismayed to discover that the last time you published a list of the full-time officers of the Regiment was the Autumn Edition 2012.

I cannot overemphasise the importance of regular lists of the officers and SNCOs of the Regiment because these represent a snapshot in time. With the demise of stud books in the 1980s and then annual printout lists in the 1990s, the only way that historians are able to track RAA officers quickly is through the *RAALL*'s periodic lists.

In the really old days (even when stud books were still in existence), lists of appointments within units and then a general list by Military Districts and/or Commands to pick up the rest of the RAA officers were published in the liaison letters. Again, this has proven a worthy source of Who's Who within the RAA by years.

Please, for the sake of preserving this aspect of the history of the Regiment, please reinstate the at least annual publication of lists of full-time officers and SNCOs of the RAA.

Ubique

Colonel Arthur Burke OAM (Retd)
Queensland Member, History Sub Committee

Editor

For many readers, believe it or not, the lists were a highlight of the publication, especially the cohort groupings. Unfortunately I encountered two issues. Firstly I was advised by CA Artillery that he could no longer provide me with cohorts due to a complaint / redress by an officer (not RAA); and subsequently I was questioned about the security of listing the name and appointment of individuals in a widely distributed unclassified publication. It just simply became too hard in the 'Modern Army'. I agree historians will come looking for this information in the future therefore we need to come up with other ways to preserve it.

Colour Patch Confusion

I'm sorry to trouble with this matter, however, it has been brought to my attention that there's a mistake regarding a particular Gunner colour

patch in the below site:
<http://www.army.gov.au/~media/Files/Army%20Dress%20Manual/UCP%20-%20ATY%20Series.pdf>

The patch in question that is incorrectly shown is that of 4th Regiment. As seen it shows the red section on the left and the blue section on the right, but this is how the patch is viewed when seen on the right-hand side of the hat's puggaree. The patch's 'leading edge' is the blue and when displayed on signage or on documents the blue is on THE right, which is the left as seen by the observer. Please find attached a piece on 'The Leading Edge' which I trust will fully explain the matter.

All the Best

Chris Jobson

Author of Royal Regiment of Australian Artillery – Customs & Traditions

THE LEADING EDGE

There is great confusion with regard to the placement of the Australian National Flag (ANF) on dress, vehicles, aircraft, etc. When the ANF is worn on the right arm, or placed on the right (starboard) side of an aircraft, vessel or vehicle, etc, it is seen in the 'reverse'; that is, the Flag's canton (containing the Union Flag) is to the top right as seen by the observer. The same protocol applies with the Army's Series 1 colour patches. The reasoning behind this is the "leading edge".

The position of prominence, as laid down in Heraldry Protocol, and which is internationally accepted, is to the left, as seen by the observer, or to the front (hence the term 'leading edge'). For example, on Australian Defence aircraft the ANF, or the kangaroo, when displayed on the starboard side, is seen in 'reverse', with the Union Flag, or the kangaroo, facing towards the front of the aircraft (the same protocol is applied when the Flag or kangaroo is displayed on vehicles, sea vessels, etc). If the ANF is to be worn on the upper arm of the right sleeve the same principle is applied; that is the Flag is worn in 'reverse'. The United States military, for example, wear the Stars & Stripes on the upper-right arm in the 'reverse' position; with the canton (the stars) to the right as seen by the observer.

The same protocol is applied to all international airlines that display the relevant country's national flag on their aircraft; the starboard-sides

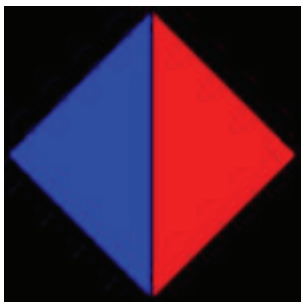
all have the flag in ‘reverse’ (eg. QANTAS aircraft have the Flag on the starboard-side ‘pointing’ forward towards the cockpit). As stated the same procedure applies to colour patches. That is the patch, when worn on the puggaree, is in its ‘reverse’ image, with the ‘leading edge’ facing towards the wearers front.



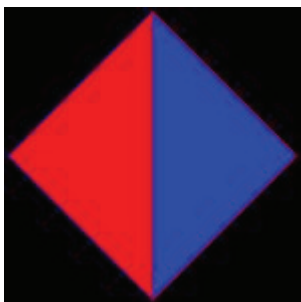
THE ANF AS SEEN ON A CHART, A SIGN OR ON THE LEFT (PORT) SIDE OF AN AIRCRAFT, DRESS, ETC.



THE ANF AS SEEN ON THE RIGHT (STARBOARD) SIDE OF AN AIRCRAFT, DRESS, ETC



THE 4TH FIELD REGIMENT RAA COLOUR PATCH AS SEEN ON A SIGN, POSTER OR LETTER-HEAD



THE SAME COLOUR PATCH AS SEEN WHEN WORN ON THE RIGHT SIDE OF HEADDRESS

Editor

I cannot agree more regarding the confusion. I have been assisting the Regimental Master Gunner with seeking approval for the 9th Regiment RAA Unit Colour and Shoulder Patches.

Happy Reader & Gunners Fund Donor

Thank you for forwarding the Liaison Letter / Cannonball to me over the past many years. It has always been a delight to receive them and, when well read, to pass them on to other Gunners. The content and presentation are the best I have seen in any comparable publications. I am amazed that you believe it is possible to ‘... see an improved RAA journal that will support the Regiment moving positively into the future.’

One article in the last edition reminded me of the relentless passage of time. The article by Lieutenant Colonel White titled *UBIQUE 300* took me back to my attendance in London of Her Majesty Queen Elizabeth’s commemoration of the 250th Anniversary of the Royal Regiment. My commemoration tie was last seen in the Artillery Museum at North Head and hopefully will be joined by one struck for the 300th Anniversary. However that brings me to the reason for writing.

Through no fault in the choice of subjects, the excellence of contributions or the outstanding presentation of articles, the passage of time is now robbing me of the ability to maintain the same level of interest I once had. People I enjoyed serving with are now part of the passing parade or have already gone. Weapons such as rapier that captured a significant part of my career in research, development, trials, procurement and finally introduction into service are, like the guns they replaced, now obsolete and forgotten. Trying to follow today’s jargon and unit titles is a challenge that I am losing. My fascination with the future has been blunted by the speed of events that are occurring now, just to get there.

On a positive side, my admiration for junior officers featured in your columns continues to soar and leaves me in no doubt that the Royal Regiment will remain in good hands. With this thought, I must ask you to remove my name from your distribution list and leave the enjoyment of your work to others. Once again, thanks you and congratulations on a splendid publication.

Colonel Bill Smith OAM (Retd)

Editor

Thank you for your kind and generous words as they are most appreciated. I am glad you have enjoyed reading the journal. Thank you for your donation to the Gunners Fund. May you continue to enjoy life and have good health.

Regimental

Representative Colonel Commandant

Brigadier AG (Gerry) Warner AM, LVO (Retd)



Dear Fellow Gunners

Another Anzac Day has passed with the nation continuing to commemorate the momentous battles and events of World War I. Like many others, I have felt a need to better my knowledge

and understanding of the Australian involvement in that war, and recently revisited *The Nek – A Gallipoli Tragedy* by Peter Burness.

This story of the awful events of 7th August 1915, when Australian light horsemen suffered terrible losses charging the Turkish rifles and machine guns, became well known through Peter Weir's film *Gallipoli*. Burness provides fascinating studies of key participants and their roles, and there are enduring lessons for the soldiers of today – unity of command, the necessity for coordination and the importance of using Gunner time being standouts.

In the Autumn 2016 Liaison Letter, I remarked on the sterling work being done by the History Sub Committee (HSC) of our Regimental Committee. I am pleased to advise that after a wait of five years, the HSC convened at the School of Artillery in mid-May. The Chair of the HSC, Brigadier John Cox, reported very positively, thus:

The meeting reviewed progress on the longer term projects it sponsors and was pleased to report on the completion of a number. Publication of history pieces has occurred on the Royal Australian Artillery Historical Company website; for example 'Gunners of Renown' and

'RAA Memorials and Monuments'. Good progress was reported on the 'National Artillery Register' which identifies and tells the story behind many of Australia's heritage artillery pieces; NSW is complete and Tasmania is about to be published. The HSC via the RAAHC contact point appreciates photographs of heritage guns in barracks and the public domain. The HSC also examined its performance in its responsiveness to quick tasks in direct support of the Regiment, examples are: naming of units and sub-units, naming of prizes and awards, planned history publications ensuring accuracy of historical material used by the regiment (including Standing Orders). The HSC met with the CO/CI of the School, who outlined his requirements as well as his support for the HSC. A new Terms of Reference for the HSC, strengthening its direct support role, was endorsed and is to be considered by myself and the Head of regiment. I observe that the HSC is a valuable Regimental capability; it comprises a networked group of artillery history specialists from across Australia. Members of the Regiment are welcome to contact the HSC for assistance.

Major John Blylevens has joined the HSC and brings a wealth of artillery experience and pivotal involvement in the Gunner community, and on behalf of the Regimental Committee, I warmly welcome him. John replaces Colonel Don Rae as the representative of Western Australia. As Don stands down, I record the Regimental Committee's heartfelt appreciation for his unwavering passion and commitment, frank and considered opinions, expertise and knowledge, and always his comradeship. I am confident Don will continue to be a Gunner of influence in the West!

The Regimental Committee remains concerned with our history and traditions, but also importantly has great interest in the motivation of the Gunners of 2017 and the recognition and encouragement of excellence within the RAA. During a Remembrance Day ceremony at

Puckapunyal, conducted during the 2016 Regimental Conference, the Head of Regiment presented awards to the Gunner of the Year, Gunner Jacob Aitchinson of 8th/12th Regiment, and the Junior NCO of the Year, Bombardier Aaron Bamford of 20th Surveillance and Target Acquisition Regiment. I extend warmest congratulations to these two outstanding Gunners. Work is also in progress to increase the status and significance of the RAA prize at RMC Duntroon.

Congratulations also to Bombardier Nick Latham of 1 RTB (formerly of 4th Regiment), who outshot fierce competition at the Australian Army Skill at Arms Meeting at Puckapunyal in May to win the highly coveted and prestigious Champion Shot of the Army. Good Shooting Nick, your performance reflects great credit on you, the RAA and the Army.

Ubique

Head of Regiment

Brigadier CD (Craig) Furini AM, CSC



Welcome to the 2017 Edition of the RAA Liaison Letter. The last year has been extremely busy and seen a number of significant achievements and milestones reached.

It has been a year since I assumed my appointment as Head of Regiment. In

that time I have been able to get out and about, albeit far less than I would have liked, and have refreshed my understanding of matters affecting the RAA. Each of the Regiments are achieving great things in the training and operational arenas, RAA staff officers and instructors in Corps and non-Corps appointments are contributing across all elements of capability, and our retired community is working hard to ensure our identity, heritage and customs are preserved.

Gunners have featured prominently in the 2017 Australia Day and Queen's Birthday Honours lists, and many more received individual

recognition with Soldiers Medallions, Commendations, and Student of Merit prizes. There have been other outstanding achievements, including Bombardier Nick Latham (currently a Recruit Instructor) becoming the Champion Shot of the Army at the 2017 Army Skill at Arms Meeting. In December 2016 Major Wade Cooper received the Governor General's Prize for the top student at the Australian Command and Staff College, and Lieutenant Stacey Furlong received the Queen's Medal upon graduating from the Royal Military College.



The Governor General of Australia presenting the Queen's Medal at the RMC-A December 2016 graduation parade.

We have also welcomed a large numbers of new Gunners to our community. Whether you joined us via the Royal Military College, the 1st Recruit Training Battalion, or the variety of other avenues – welcome. I trust you will find your new careers rewarding, stimulating, and physically and intellectually challenging. There is a list of 'new' Gunners in the *Personnel* section.

Whether you joined us via the Royal Military College, the 1st Recruit Training Battalion, or the variety of other avenues – welcome.

On 11th November 2016 I was honoured to present the inaugural RAA JNCO and Gunner of the year awards to Bombardier Aaron Bamford (20 STA) and Gunner (now Lance Bombardier) Jacob Aitchison (8/12 Regt). These two awards have been named after two exceptional Gunners from the First World War – John Ewen and William Mattner – who embody all the qualities we seek from our people today. In my view, creating these awards is long overdue. To emphasise their importance the Gunners' Fund

has allocated \$3,000 for each of the recipients to undertake overseas travel as part of their professional and personal development. For Bombardier Bamford and Lance Bombardier Aitchison this will involve travelling to the UK in November to spend time at the Royal School of Artillery and a number of local RA Regiments. It is my hope that these two awards will become prestigious and enduring elements of our identity. Further details on the awards can be found on pages 10 to 12.



Bombardier Aaron Bamford – 2017 JNCO of the Year



Lance Bombardier Jacob Alan Aitchison – 2017 Gunner of the Year

I would also like to recognise some critical promotions and appointments. I congratulate Brigadier Neil Sweeney on his promotion to one-star in August last year and his successful deployment as the Deputy Commander of JTF633 in the Middle East. I also congratulate Warrant Officers Class One Dave Lehr and Michael Johnson who will become the Regimental Sergeant Majors of 1st and 2nd Divisions respectively in 2018. I am advised that in the 44 years of the tiered Regimental Sergeant Major system the RAA has only ever previously had two senior soldiers elevated to Tier C and above. So these two appointments are significant. I also congratulate all those appointed to CO, RSM, BC and BSM, and other highly competitive RAA and non-Corps appointments in 2018. I look forward to working with you over the coming years.

I am advised that in the 44 years of the tiered Regimental Sergeant Major system the RAA has only ever previously had two senior soldiers elevated to Tier C and above.

In late May this year I was privileged, along with the Regimental Master Gunner, to attend the National Gunner Dinner. It was a fantastic event that saw over 300 Gunners, serving and retired, come together in a single room to enjoy Gunner camaraderie. On a personal level it was fantastic to see so many familiar faces (albeit some slightly weathered) and to re-live many stories that add to the richness of our history. Such a dinner would not be possible without significant work over an extended period. To that end I would like to express our collective gratitude to the Australian Artillery Association, in particular Kim McGrath and Graham Hampton, for their tireless energy and organisational prowess in delivering such a fabulous event. I also thank them for commissioning and donating to the Regiment Mr Phillip Pomroy's magnificent painting of an M777 in action. It is pleasing to see the Association is planning another National Gunner Dinner on 24th August 2019. Based on the success and growing popularity of these events I suggest you get in early.

On the capability front the RAA is in good shape.



M777 Painting Presentation – L-R Brigadier Craig Furini, Kim McGrath & George Hampton

On the capability front the RAA is in good shape. The creation of 9th Regiment within 2nd Division is a most welcome development. The Regiment will be established on 15th January 2018 under command of Lieutenant Colonel Lachlan Searle, with all the preparatory work being overseen by Lieutenant Colonel Stu James who has recently been posted to 2nd Division as the project manager. Further details about the history of 9th Regiment can be found in the *Around the Regiment* Section.

Project Land 19 Phase 7B (Short Range Ground Based Air Defence) has achieved First Pass approval. The project will deliver a generational change in our Short Range Air Defence capability with \$1 - \$2B being invested to replace the current RBS-70 system while at the same time enhancing our C-RAM capability and possibly integrating Counter-Unmanned Aerial System capabilities. Gate 2 is due in early 2019 with Initial Operating Capability due in 2021/22.

The annual farewells, which are held in both the Regimental Officers' and Sergeants' Messes, are an important aspect of acknowledging the dedicated and loyal service of long serving members of the Royal Regiment.

8th/12th Regiment will receive the final four M777 in August and projects to deliver improved 155 mm and 81 mm ammunition are progressing well. Digitisation and simulation projects continue to deliver fantastic capabilities to the RAA. The RAA has fully embraced digitisation, and in many respects is leading Army in 'operationalising' digital warfare. Exercise Talisman Sabre 17 in July will provide

a great opportunity for the Regiments and the 1st Division JFECC to test and showcase these digital capabilities in a high-end coalition and joint environment.

In closing I would like to invite you to attend the Regimental Farewells on 10th-11th November at the School of Artillery immediately following the RAA Conference. The annual farewells, which are held in both the Regimental Officers' and Sergeants' Messes, are an important aspect of acknowledging the dedicated and loyal service of long serving members of the Royal Regiment. While planning for this year's events is ongoing I am pleased to advise that Major Generals Paul Symon and Gerard Fogarty, as well as Brigadier Don Roach have already accepted an invitation to be farewelled from the Officers' Mess, and WO1s Clayton, Clifford, Graham, McIntyre, Quinn and Warren will be farewelled from the Sergeant's Mess. I am anticipating another great week-end.

I look forward to seeing and hearing from as many of you as possible in my role as Head of Regiment.

Ubique



New Head of Regiment Coin

Regimental Master Gunner

Warrant Officer Class One DT (Paddy) McGarry

*'Your heaviest **Artillery** will be your will to live, keep that big Gun Going.'*

American Journalist 1915-1990: Norman Cousins



As I write this article I look back at the beginning of the year and cannot believe how fast it is progressing. We saw 2016 continuing evolution of introduction-into-service of new RAA capabilities, developing doctrine, refining training management packages supporting current equipment, having a statement of relevance, enhancing the Officer and Other Ranks employment specifications (ES) and supporting trade models. During December 2016 – February 2017 the RAA Trade Managers visited RAA units to brief all personnel on the endorsed ES that went live on 17 November 2016. These critical changes will support the Brigades as they travel through the OPGEN/FORGEN cycle. The ES in conjunction with the Manual of Army Employment (MAE) can be reviewed and updated with minor amendments to suit the requirements and courses conducted at the SOARTY.

It is very rewarding and personally satisfying seeing the Regiment continuing to grow in capability and leading the Army in most cases on raised, train and sustain concept along with continuing to raise the skill levels of our existing members through realistic training and expectations.

The following functionalities of the Employment Category Number's (ECN) allowing the growth of our personnel and support the Army's capability:

OFFENSIVE SUPPORT (OS)

ECN 162 – The Artillery Gunner: operates Artillery Gun / Howitzer equipment in an Offensive Support (OS) unit. He / She works

primarily as a member of a small team operating Gun / Howitzer within an OS battery or regiment. They also conduct local defence of the gun position reacting to threats from Infantry, Armour, Air or a combination of all.

ECN 254 – The Artillery Command Systems Operator: operates the Artillery Battle Management System – Fires (BMS-F), Gunnery Computer (GC) equipment, and communication equipment in an Offensive Support unit. The Artillery Command Systems Operator (ACSO) (*ECN 254*) is a member of the Royal Regiment of Australian Artillery (RAA) who operates the Artillery Battle Management System – Fires (BMS-F), Gunnery Computer (GC) equipment, and communication equipment in an Offensive Support unit or Surveillance and Target Acquisition (STA) Battery or Regiment.

ECN 255 – The Artillery Observer: observes, locates and prosecutes targets in the battlespace. He/She is trained to use Surface fires, Aerial fires, and Naval Surface fires Tactics, Techniques and Procedures (TTP). They employ Target Acquisition equipment, Target Location Finding equipment, and communication equipment in an Offensive Support (OS) or Joint ADF unit.

ECN 161 has two streams - The Artillery Light Gunner and The Artillery Forward Observer. The Artillery Light Gunner operates the in-service mortar and communications equipment as a Light Gunner. The Artillery Forward Observer (AFO) is trained to use surface fires, Tactics, Techniques and Procedures (TTP) and communication equipment as an Artillery Observer. He / She employs these planning and managerial skills an OS Joint Fires and Effects Coordination Centre (JFECC).

MANAGER OPERATIONS OS

ECN 357 - is a member who participates in the planning of operations and the management of OS Artillery assets, both personnel and equipment in the battlespace. He / She employs these planning and managerial skills in an Offensive Support (OS), Surveillance and Target Acquisition (STA), or Joint ADF unit.

AIR MISSILE DEFENCE SYSTEMS (AMDS)

ECN 237 – Ground Base Air Defender: operates Ground Base Air Defence weapons, multiple target sensor radar, and voice and data

communication equipment in an Air Land (AL) unit.

ECN 271 – The Operator Radar (OPRDR): operates thermal surveillance, ground surveillance radar and/or communication equipment in a STA unit.

UNMANNED AERIAL SYSTEM (UAS)

ECN 250 - The Operator Unmanned Aerial System (OPUAS): operates the in-service Army Tactical Unmanned Aerial Systems (TUAS) in a Surveillance Target Acquisition (STA) unit. He/She works primarily as a member of a UAS detachment operating in small teams operating Tactical Unmanned Aerial Systems within a UAS Battery or STA Regiment.

MANAGER SURVEILLANCE TARGET ACQUISITION

ECN 430 – is a member who assists in the command and management of soldiers within a STA battery as part of a STA Regiment. He / She works primarily as a member of a Surveillance Acquisition Cell (STAC) or intelligence, Surveillance, Target Acquisition and Reconnaissance (ISTAR) Cell within an STA Battery or Regiment.

RAA OFFICER

The RAA officer employment function by rank enables:

- *Lieutenant*. An ARA LT to lead a troop within an Offensive Support (OS), Air Land or Surveillance and Target Acquisition (STA) role. An ARes LT to lead a mortar line or Joint Fires Team (JFT) within an Artillery OS mortar equipped unit.
- *Captain*. To perform the duties of a battery second in command, a troop commander within a specialist troop, operations officer, JFT Commander, Adjutant, Regimental Technical Adjutant, or are employable in training or instructional roles. They are also able to provide specialist corps advice.
- *Major*. To command a battery size force element; and, are employable in the roles of senior instructor, executive or operations officer of a unit, regimental 2IC and Grade Two Staff Officer as a member of a task

force, joint, coalition or higher headquarters. They are also able to provide specialist corps advice.

- *Lieutenant Colonel*. To command an RAA Regimental size organisation and are employable in the roles of chief instructor, Grade One Staff Officer or principal staff officer on a higher headquarters. LTCOLs are able to command a task-organised unit within a joint, coalition, task force or higher headquarters. They are also able to provide specialist corps advice.

Once again the evolution of introduction-into-service of new capabilities in 2017 has seen: The HX 77 MAN Truck. It will replace the MACK series vehicles. In the initial stages there were a number of issues that had to be resolved quite quickly.

There has been exceptional work from WO1 Tony Fleming (BG 53 Bty), the New Equipment Training Team (NETT) at SOARTY and 1 Regt conducting trials and formulating SOPs. This will then align the new Loading Ammunition Containers (LAC) arriving at the end of the year for Regiments to trial. For the UAS the Learning Package for the WASP Aerial System is ready for the conduct of the Train the Trainer Course at SOARTY.

It is very pleasing to see the RAA personnel doing well across the ADF's commitments. This year will provide the Royal Regiment with the opportunity to refine internal procedures with lessons learnt in 2016.

I am looking forward to the remaining of the year, good soldiering for the challenges that lay ahead.

Ubique



Australian Honours

AUSTRALIA DAY

CONSPICUOUS SERVICE MEDAL (CSM)



Warrant Officer Class One Simon Peter THOMPSON

FOR MERITORIOUS ACHIEVEMENT IN FORCE GENERATION AND TRAINING FOR THE ROYAL REGIMENT OF AUSTRALIAN ARTILLERY.

Warrant Officer Class One Thompson's exceptional dedication and professional mastery has improved the training management framework for the Royal Regiment of Australian Artillery. His decisive leadership has greatly enhanced the efficiency of the artillery training continuum by aligning it to the Force Generation Cycle and Army Training Standards.



Warrant Officer Class Two Phillip Matthew GRIEVE

FOR MERITORIOUS ACHIEVEMENT DEVELOPING ARMY'S SHADOW UNMANNED AERIAL SYSTEM CAPABILITY.

Warrant Officer Class Two Grieve has demonstrated extraordinary commitment as the Training Warrant Officer of the 20th Surveillance and Target Acquisition Regiment. He ensured that recent operational lessons were integrated into all Shadow operator training and his innovative use of simulation training has directly led to outstanding efficiencies with improved training outcomes and significantly enhanced operational effectiveness.

QUEEN'S BIRTHDAY

MEMBER (AM) IN MILITARY DIVISION



Brigadier Craig Dennis FURINI CSC

FOR EXCEPTIONAL SERVICE AS THE DIRECTOR OF COALITION JOINT STRATEGY, PLANS AND ASSESSMENTS ON HEADQUARTERS COMBINED JOINT TASK FORCE - OPERATION INHERENT

RESOLVE ON OPERATION OKRA FROM FEBRUARY 2015 TO MARCH 2016.

Brigadier Furini's leadership contributed directly to the success of Headquarters Combined Joint Task

Force – Operation Inherent Resolve, and his vision and perseverance resulted in the production of the Coalition Campaign Plan in the most complex geopolitical environment. He displayed superior planning skills, deft diplomacy and judgement, sensing Coalition nations concerns, while maintaining the campaign objectives His achievements have brought great credit upon himself, the Australian Army, the Australian Defence Force and Australia.

CONSPICUOUS SERVICE MEDAL (CSM)



Warrant Officer Class One Stephen Donald CARMICHAEL

FOR MERITORIOUS DEVOTION TO DUTY AS THE REGIMENTAL STANDARDS WARRANT OFFICER, 20TH SURVEILLANCE AND TARGET ACQUISITION REGIMENT.

Warrant Officer Carmichael has demonstrated extraordinary commitment to the development of a world class Unmanned Aerial System capability in Army. His unrelenting capacity for work, skilful personnel management and outstanding dedication in performing multiple key appointments simultaneously has been first class. Warrant Officer Carmichael's devotion to duty has been pivotal in the development and operational effectiveness of 20th Surveillance and Target Acquisition Regiment.



Warrant Officer Class One Lawrence James WALLACE

FOR MERITORIOUS ACHIEVEMENT AS ARTIFICER SERGEANT MAJOR OF 20TH SURVEILLANCE AND TARGET ACQUISITION REGIMENT THROUGHOUT THE PERIOD JANUARY 2013 TO JULY 2016.

Warrant Officer Wallace has demonstrated consistent meritorious achievement as the Artificer Sergeant Major of Combat Service Support Battery, 20th Surveillance and Target Acquisition Regiment. His outstanding service and commitment has ensured the success of the maintenance element and entire Shadow 200 capability, identifying him as an exceptionally professional Warrant Officer.

Ewen & Mattner Awards

HOR PRIZE FOR BEST JNCO & GNR OF THE YEAR

*Major DT (Terry) Brennan
Compiled from Documents & Correspondence
written by the Regimental Master Gunner &
Brigadier John Cox for the History
Sub Committee*

Background

In order to reinvigorate the Regimental identity (and also contributions to the RAA Fund) it has been suggested that annual trophies be established for Champion ARA JNCO and GNR (biennial for the Reserve). The prizes should be the same for both ARA and GRes, allowing commonality across the RAA. Developing the concept for these awards (including the confirmed criteria and naming of the trophies) has been handed to the Regimental Master Gunner (RMG).

It has also been identified, that if the 'Awards' are to have the desired effect, they will need to include a 'significant' prize. To that end, an appropriate prize, that would be attractive to junior members but also be an investment in the recipient's military professional development, would be for the RAA Fund to pay for a short-term visit to an overseas artillery unit (eg two weeks at the Royal School of Artillery). While this represents a significant financial investment, it is believed that it will pay dividends in the longer term. It is suggested that the inaugural Awards for both ARA and GRes be presented at the 2016 annual RAA CPX in early November at the School of Artillery.

Criteria

In relation to criteria, this must be balanced with the Army's Values and Behaviours and RAA technical excellence, as these form the bedrock of everything that we do:

Courage - Moral and physical, to act in the best interest of the Nation and the Army; including the moral strength and professionalism to balance the will to win with compassion, and mateship with duty.

Initiative - To explore opportunities and embrace innovation to improve Army and our service to our Nation.

Respect - For ourselves, our colleagues, our community and our history of service to the Nation; acknowledging that each one of us has earned the right to wear the Rising Sun Badge and the responsibility to uphold the values and traditions it symbolises.

Teamwork - To support each other, our Australian community, our allies and our regional security partners in striving to achieve our mission; in a world connected by digital communication, such national and international 'communities' exist in both physical and online domains.

The approach in establishing the criteria for the GNR and the JNCO must be directly linked to Artillery specific trade (ECN) competency, more importantly they must include those attributes that are specific to Leadership beyond the criteria within a PAR:

- Must be Artillery Specific
- intelligence;
- honesty and integrity;
- self-confidence;
- ambition and high energy;
- task-relevant knowledge;
- the desire to lead;
- high self-monitoring (that is individuals who are highly flexible in adapting their behaviour to different situations); and
- emotional intelligence (an awareness and responsiveness to the feelings of oneself and others).

Technical excellence is putative, we need to be careful to utilise this as a discriminator as varying trades have varying levels of technical demands - we must devise a way to include this but not focus upon it as the principal criteria.

Name of Awards

THE EWEN AWARD FOR THE BEST NCO OF THE YEAR

Major John Carr EWEN, MC, DCM, MM (1892-1951)

John Ewen was born at Digsbury, Manchester, on 25 October 1892 and migrated to Australia in 1912.

He enlisted in the AIF and was allotted to the 5th Australian Field Artillery Brigade (FAB) in October 1915. For actions in August 1916, Ewen was awarded the Military Medal for maintaining telephone lines under constant heavy shellfire. He was also promoted bombardier and promoted again to Sergeant in March the following year.

On 17 March 1917, Ewen's 13th Battery was the target of German counter battery fire and when all the battery officers were wounded he took command, withdrew spare personnel to safety and brought his guns back into action. He was awarded the DCM and after officer training in Britain he was commissioned a lieutenant and posted to 11th Battery, 4th FAB.

In August 1918, he was engaged in several days of heavy fighting taking over from an observation post officer who had been killed and provided information on friendly dispositions and hostile batteries in utter disregard for his own safety. When the Germans retired a few days later he brought two guns to within 200 meters of the front to engage machine guns and a hostile battery setting its ammunition dump alight. He was awarded the MC for these actions.

He was seriously wounded soon after, almost being left for dead. Before returning to duty on 31 March 1919, Lieutenant Ewen received his three awards at Buckingham Palace from King George V. General Birdwood also sent him a congratulatory letter. He was one of only six to receive the three awards.

In WWII, he commanded 53rd Battery, 14th Field Regiment and accompanied the regiment to New Guinea where his battery performed prodigiously in getting two guns forward to engage the Japanese at Iroribaiwa at the southern end of the Kokoda track.

THE MATTNER AWARD FOR THE BEST GUNNER OF THE YEAR

Lieutenant Edward William MATTNER, MC, DCM, MM (1893-1977)

Edward Mattner enlisted in the AIF as a gunner in the 18th Battery on 7 September 1915. On 7 June 1917, he was one of five volunteers who extinguished fires in their battery position thus saving three 18 pounders and 15,000 rounds of ammunition. Despite being wounded he remained on duty and was awarded the Military Medal.

For actions in the autumn of 1917, Sergeant Mattner was a detachment commander and was awarded the Distinguished Conduct Medal for keeping 18th Battery in action under heavy fire and getting the wounded away. On 8 October 1917, Mattner was commissioned Second Lieutenant and in February 1918 was awarded the Military Cross '*for conspicuous gallantry and devotion to duty*'. On this occasion, an infantry company, sited near his battery, was heavily shelled for half an hour. Casualties mounted, and Mattner collected a party of four others, dressed all the wounded and removed them to a place of safety. Although wounded he remained on duty.

Mattner is one of the few members of the AIF to be awarded the MC, DCM, MM.

In 1939, Mattner was enlisted as a Voyage Only Officer and appointed Second in Command of 13th Field Regiment in 1941/1942 including brief service in New Guinea. He had been a farmer before WWII and became a Federal Senator thereafter.

2016 Recipients'

The recipients of the inaugural awards in 2016 were:

- **Ewen Award** – Junior Non Commissioned Officer of the Year – Bombardier A.M. (Aaron) Bamford, a UAV Detachment Commander from 20th Surveillance & Target Acquisition Regiment.
- **Mattner Award** – Gunner of the Year – Gunner (now Lance Bombardier) J.A. (Jacob) Aitchison, a Gun Number from 8th/12th Regiment RAA.

Prize awarded

As winners, their names will be added to a new honour board at the School of Artillery as pictured on the front cover. As well they received an engraved watch and the Regimental Fund will provide each of them with \$3,000 for an overseas visit that will involve professional development opportunities and the scope for some fun.

Ewen Award Citation for the Junior Non-Commissioned Officer of the Year

Bombardier AM Bamford

20th Surveillance and Target Acquisition Regiment

Royal Australian Artillery

You have consistently demonstrated a commitment to Army's values and professional excellence. You actively seek opportunities to lead by example and mentor subordinates whilst your deliberate and methodical decision-making gives confidence and respect to your advice and opinions. You have regularly been required to perform higher duties which you have confidently taken in your stride. You have approached these duties with professionalism, vigour and an excellent attitude, performing all to a very high standard.

During your Battery's ARTEP you displayed not only excellent physical and mental resilience but also clarity of thought and sound decision-making, providing your subordinates with clear and precise direction.

Throughout 2016 you have consistently performed to the highest standard, and have stood out amongst your peers across the Royal Australian Artillery, by demonstrating leadership, technical excellence, initiative and teamwork well beyond your rank and experience.

Through your performance you have set an excellent example for all members of the Gunner community and have brought great credit to the Royal Australian Artillery and the Australian Army

Mattner Award For the Gunner of the Year

Gunner JA Aitchison

8th/12th Regiment Royal Australian Artillery

You have consistently demonstrated a commitment to Army's values and professional excellence. You lead by example, always showing respect to all members of your Battery and can be trusted to lead and mentor a multi-cultural team. You can be relied upon to energetically and constructively comment on important issues for the junior element of the Regiment.

You have supported your Detachment Commander at all times and were critical in building a cohesive Detachment in the absence of a JNCO on Exercise Hamel 16. Furthermore, you have been essential to Battery cohesion through the conduct of well designed and challenging physical training sessions within your role as a Combat Fitness Leader.

Throughout 2016 you have consistently performed to the highest standard, and have stood-out amongst your peers across the Royal Australian Artillery, by demonstrating leadership, technical excellence, initiative and teamwork well beyond your rank and experience.

Through your performance you have set an excellent example for all members of the Gunner community and have brought great credit to the Royal Australian Artillery and the Australian Army

STOP PRESS

2017 - REGIMENTAL FAREWELLS - 2017

Regimental Officers & Sergeants Messes

OFFICER FAREWELLS

Officers who have agreed to be farewelled include MAJGEN's Paul Symon & Gerard Fogarty, as well as BRIG Don Roach.

Date: Friday 10 November 2017

Function: Dining Out Night

Dress: Mess Dress or Black Tie with Miniatures

Timings: 1800 h for 1930 h

Primary POC: Major DT (Terry) Brennan 0419 179 974 or terry.brennan59@yahoo.com.au

Secondary POC: Major Gary Down 0417 140 036 or gary.down@defence.gov.au

Attendance: If you would like to attend the dinner contact Major Terry Brennan or Gary Down - You are most welcome and especially if you are a friend of those being farewelled.



L-R: Portrait of Edward William Mattner and John Carr Ewen in uniform at Holsworthy Camp in 1941. At the time of photograph they were the last two living recipients of the Military Cross, Distinguished Conduct Medal and Military Medal groups. Only five individuals had achieved this honour at this time.

WARRANT OFFICER & SERGEANTS FAREWELLS

Date: Saturday 11 November 2017

Function: Buffett Dinner

Dress: Coat and Tie

Timings: 1800 h for 1930 h

POC: Regimental Master Gunner, Warrant Officer Class One David (Paddy) McGarry on 0428 691 558 or david.mcgarry@defence.gov.au

STOP PRESS

Young Ex-servicemen most at Risk of Suicide

Fergus Hunter, The Sydney Morning Herald, June 30, 2017

At least 325 serving and former Australian Defence Force personnel died by suicide between 2001 and 2015, according to a major new report that highlights the dangers leaving the military can pose to vulnerable servicemen. Young ex-servicemen were most at risk, the report found.

The government will prioritise helping former ADF members under the age of 30 after a report revealed they're at higher risk of suicide than other people their age. Men aged 18-24, who were no longer serving with the armed forces, were twice as likely to die by suicide, than men of the same age in the general population.

The new figures from the Australian Institute of Health and Welfare are "the first accurate, robust data ever produced on suicide" in the ADF community, Minister for Veterans' Affairs and Defence Personnel Dan Tehan said, launching the report. Of the 325 who died, 51 per cent were no longer serving, 28 per cent were serving full time, and 21 per cent were in the Reserves. Men, who comprise 85 per cent of ADF personnel, accounted for 93 per cent of the suicides and were the focus of the study.

Further confirming the mental health challenges posed by leaving military service, the rate of suicides among former ADF personnel was 26 per 100,000, compared with about 12 per 100,000 people - men and women – in the overall Australian population. Serving personnel, however, were significantly less likely to die by suicide than the average Australian.

Men who had been involuntarily discharged from the ADF were 2.4 times more likely to die by suicide than those who left service voluntarily. Those who left the ADF within a year of enlisting were also more likely to die from suicide than those who served for more than a decade. Men who did not hold an officer rank were almost three times as likely to die by suicide than former officers.

Importantly, the study notes that only confirmed suicides were considered and the analysis "may exclude an unknown number of deaths that were suspected to be suicide deaths" but officially attributed to another cause by coronial investigations.

While young ex-servicemen aged 18-24 were twice as likely to take their own lives than other men, once all age groups were taken into account, ex-servicemen were generally 14 per cent more likely to die by suicide than Australian men generally. Serving personnel, however, were significantly less likely to than the average Australian.

The report builds on preliminary figures released in 2016 and a landmark review by the National Mental Health Commission of suicide and self-harm prevention services available to ADF members and veterans.

"The AIHW study is an important part of the Government's action on improving mental health and preventing suicide among current and former ADF personnel," Mr Tehan said. The government's May budget outlined almost \$60 million in additional mental health funding for the Department of Veterans' Affairs, including uncapped treatment for mental illness available to anyone who has served one day full-time. Starting in July, the AIHW will monitor and report on the health and welfare needs of veterans and their families in a new arrangement with the DVA.

Labor has also announced that, if elected, it would develop a strategy for family support of ADF personnel and veterans, a recommendation of the NMHC's review.

Friday's report also pointed to specific characteristics that further elevated the risk of suicide among ex-servicemen. "Men who were discharged involuntarily from the ADF were 2.4 times more likely to die by suicide than those who discharged voluntarily," AIHW director and CEO Barry Sandison said. "And if their involuntary discharge was for medical reasons, they were 3.6 times more likely than those discharged for voluntary reasons."

In a statement, Opposition Leader Bill Shorten and Labor's veterans' affairs spokeswoman Amanda Rishworth said "ADF families play a pivotal role in supporting our current serving ADF men, women and veterans".

"Developing a family engagement and support strategy will enable us to identify where we can provide greater support to military families - those who matter most to our ADF personnel and veterans; their wives, husbands, sons and daughters," they said.

Lifeline 13 11 14; MensLine 1300 789 978; Beyondblue 1300 224 636

Professional Papers

LONG RANGE ROCKET ARTILLERY – THE SHOOTER TO SENSOR OVERMATCH

“Float like a butterfly, sting like a bee. His hands can't hit what his eyes can't see.”

- Muhammad Ali

Joint Fires Wing, School of Artillery

INTRODUCTION

The 2016 White Paper announced that Army's firepower will be enhanced in the mid-2020s with a new long-range rocket system (LRRS). This will bring the land domain truly into joint domain with the ability to prosecute targets previously only able to be affected by joint, strategic strike assets. The Royal Regiment of Australian Artillery (RAA) has significant challenges that will be faced with this capability upgrade. This will not only challenge our current planning and employment of Offensive Support (OS) assets, but also the Surveillance and Target Acquisition (STA) assets for target acquisition and battle damage assessment (BDA). The LRRS will be a highly responsive, persistent capability to deliver weapon effects and precision strike capabilities at extended ranges, within a short timeframe, and with a significant element of surprise.

For the first time the RAA will have a true General Support (GS) platform that can affect the deep battle. But are we ready for this type of

influence in the land domain? This paper will briefly look at potential rocket platforms, and then discuss Command, Control, and Communications (C3) implications, tactics and employment considerations, STA implications, and discussion of the issues facing the RAA employing a LRRS.

COMPARABLE GLOBAL ROCKET ARTILLERY LAUNCH SYSTEMS

Before discussing the employment implications of a LRRS, it is first important to look at possible systems that could be selected as a result of the 2016 White Paper. This will mainly be a superficial look at systems based off open-source information, gathered from forums such as Wikipedia, with a professional, educated guess of the likely platform based off current OS infrastructure and ADF C3 networks.

Broadly, there are a variety of launch platforms available globally that the ADF could consider for purchase. These are available from coalition partners, former Eastern-Bloc nations and Asian nations. These are outlined in Table 1.

Table 1 – Launch platforms

| <i>System Name</i> | <i>Rocket Capacity & Calibre</i> | <i>Rocket Range</i> |
|---|---|-------------------------------|
| M270 Multiple Launch Rocket System (MLRS) | 12 x 277 mm rockets; or 2 x 610 mm missile | 45 – 120 km Over 300 km |
| M142 High Mobility Artillery Rocket System (HIMARS) | 6 x 277 mm rockets; or 1 x 610 mm missiles | 45 km – 120 km Over 300 km |
| BM-30 Smerch | 12 x 300 mm rockets | 70 – 90 km |
| Weishi 1B (WS-1B) / T-300 Kasigra | 10 x 302 mm rockets | 100 – 180 km |

All systems have comparable warhead configurations of standard high explosive blast and fragmentation, through to scatterable anti-personnel or anti-tank sub-munitions. All systems have recently fielded, or are in the process of introducing, precision guided rockets that significantly increase range and accuracy. While the capabilities of the BM-30 Smerch and WS-1B broadly align with the requirements of the 2016 White Paper, it is highly unlikely that these systems will be considered. Given that the RAA already employs the Advanced Field Artillery Tactical Data System (AFATDS) as part of its C3 infrastructure, both MLRS and HIMARS offer 'plug and play' functionality that will be discussed later. However, HIMARS would be considered the most likely contender for consideration. This is due to it being a wheeled system that is operationally mobile, is able to be deployed by air in a C-130, and has a proven amphibious history with the United States Marine Corps (USMC). This assumption will be used for the remainder of the discussion.

COMMAND, CONTROL AND COMMUNICATION IMPLICATIONS

Ideally, the role of a LRRS is to provide massed surface to surface fires and organic precision strike capabilities to the Division Commander (Div Comd). Recent operational experience has seen LRRS supporting Brigade (Bde), Battlegroup (BG) and Special Forces (SF) operations. During counter-insurgency style operations this allows a speedy and accurate response across an expansive and sparse battlespace. However, this was still done with the authority for engagement held at the highest level. To take the US Army approach, their rocket artillery is held with General Support Reinforcing (GSR) fire units controlled at the Divisional level, with GS fire units at the Corps level. While the Australian Army is unlikely to have a corps-sized organisation any time soon, it is important to get the Command and Control (C2) of the LRRS correct at the outset.

Regardless of Artillery Tactical Task, a LRRS should never have its C2 delegated below Div. This is the same approach that should be taken with other artillery assets, such as Weapon Locating Radars (WLR), Uninhabited Aerial Systems (UAS) and Ground Based Air and Missile Defence (GBAMD) systems. Unfortunately, due to recent operational experience and the Beersheba Ready, Ready and Reset construct, the Army has become used

to employing what should be considered Div assets at the Bde level, even below. As a result commanders and planners have become complacent with asset availability. It is anticipated that unless there is an organisational change with the employment of Div assets, the LRRS will suffer a similar fate with regards to its C2 arrangements.

... the Army has become used to employing what should be considered Div assets at the Bde level, even below. As a result commanders and planners have become complacent with asset availability.

From a C3 perspective, the RAA is broadly ready to accept a LRRS. Currently, the use of AFATDS and the Enhanced Position Location Reporting System (EPLRS) provides the backbone of the fires C3 infrastructure. HIMARS, at the most basic level, can very simply join and be employed on the current network. While EPLRS provides excellent coverage where the network has sufficient density, the distances that a LRRS can be expected to be deployed from a Joint Fires and Effects Coordination Centre (JFECC) and other land assets would negate the reliance on EPLRS in some instances. The current restrictions on access to Satellite Communications (SATCOM) bandwidth would be the major restriction on C3 infrastructure to support the full employment of a LRRS across the spectrum of operations and the distances it can affect the battlespace. This could be alleviated with the generation of dedicated retransmission nodes if SATCOM availability is not an option.

ROCKET ARTILLERY TACTICS

The battle-winning effects of organic, land based rocket attack can be both devastating and decisive if correctly utilised. To achieve this, support needs to be provided to the force as a whole rather than any particular subdivision. The LRRS precision strike and massed fires capabilities have utility across the framework of close, deep and rear operations. LRRS fire units must remain flexible and expect to deploy, in the Australian context, in support of task forces at different levels, from a reinforced BG as part of the Amphibious Ready Group/Element (ARG/ARE) deployment, through to division-level Joint Task Force (JTF), integrated with our coalition partners.

With current Bde assets, the integral OS assets can realistically only influence the battlespace out to about 30km. A LRRS like HIMARS will increase the effective range of Div influence to

120 – 300km depending on the munitions employed. Even using 120km as a planning figure, the 1/3, 2/3 planning rule would see a LRRS fire unit employed around 40 - 80km behind the Forward Line of Own Troops (FLOT) depending on the kind of operation, potentially impacted by the current C3 limitations. However, the requirements for engaging particular targets in their associated Targeted Areas of Interest (TAI) and requirements to achieve a vertical angle of decent for certain munitions employment in complex terrain will ultimately dictate where the LRRS will be deployed. A few deployment considerations, and hypothetical battery structure, will be outlined below in more detail.

Deployment Options. As dictated by the tactical situation and threat environment, a LRRS battery may deploy as two separate troops operating autonomously or as a single battery. Unlike standard gun deployment, the need for the specific sighting of platforms is not required. Due to the potential vast distances between the fire unit and the observer, communications and the sighting of retransmission stations or the use of HF or SATCOM communications bearers must be considered carefully and will take on greater importance than the RAA currently plans for. A deployment plan utilised by UK MLRS that enables a persistent and simultaneous capability to engage both deep and close targets (without the need to move troops forward and backwards on an ad hoc basis) is that one troop will deploy 15km behind the FLOT, negating the minimum range of the MLRS in support of the close battle, while maximising the range to support the deep battle. Meanwhile the second troop will be optimally deployed to influence the close battle to achieve a vertical angle of decent (40-65km). This achieves a troop able to perform the function of a GS fire unit 15km from the FLOT, and the other troop able to function as a GSR fire unit, weighting the fires of the Div main effort, from depth. One obvious implication of this method of employment is that it removes the ability to concentrate fires for the depth battle. Any employment like this should be dependent on the considerations identified during planning

Battery Structure. To best support this style of operating, a structure for a battery should be broadly similar to a current gun battery structure, with eight LRRS. However, the JFECC needs to be structured to plug directly into the Div JFECC to coordinate fires at the appropriate level, and also be furnished to enable long range digital communications to the firing units, either through equipment or retransmission elements, up to

200km from the Div JFECC. The battery should be able to operate as two bespoke LRRS troops that are also capable of being employed as a consolidated battery as required. The Combat Service Support troop of the battery will have to be interoperable with force-level logistic elements and support sustained, dispersed operations. There should also be scope for the development of specific Joint Fires Teams (JFTs) that can be employed as observers beyond the FLOT. This will be outlined further on.

Deployment Tactics. LRRS will not be available in large numbers within the ADF and will be considered a high value target for the enemy. As such, in conventional operations the LRRS will have to adopt a hide, shoot, move mentality. Therefore the best means of defence for LRRS is to remain undetected. There are two key ways for this to be achieved. The first method is a strict adherence to counter surveillance principles, both visual and electronic. This can include the use of tactical movement and the correct use of camouflage and emissions control states. Secondly, the use of line should be considered when deployed in troop or battery tight positions. As per gun batteries, deployment locations and sizes will depend on threat, terrain and type of operation. Artillery Mobility Areas (AMA) and Artillery Restricted Areas (ARA) should be directed by the Div JFECC. The selection of AMA/ARA will need to be deconflicted with the Close Support Regiment within the Bde in which area the troop or battery will deploy. This deconfliction will be essential for the successful integration of the asset onto the battlespace. Generally speaking, LRRS will be deployed in four standard configurations. Troop tight, Troop dispersed, Battery tight and Battery dispersed. These take into account the considerations within current doctrine; however, more effectively using hides and AMAs than current practice.

SURVEILLANCE AND TARGET ACQUISITION

Now that the broad C3 implications and tactics have been discussed, the focus can shift to the target acquisition capabilities and how these will affect the employment of a LRRS within the land domain. As previously identified, dependant on planning considerations and effects required, the LRRS can potentially affect the battlespace out to 300km. This is a significant leap forward in capability. However, depending on the Artillery Tactical Task and where the firing unit is deployed; this could be anywhere from 30 – 285km beyond the FLOT! Utilising this figure it

can be seen that there is a need to integrate sensors at or beyond this distance in order to detect and track targets for the coordinated application of fires onto targets as they come into range. In order to maximise the output of a LRRS sensors clearly need to be a long range and provide fidelity and accuracy to targets. Current in service sensors have direct application in support of the close battle, and would provide the required fidelity and accuracy to support a GSR firing unit, or a GS firing unit only engaging with unguided and unimproved munitions.

The Giraffe – Agile Multi-Band Radar can provide a sense function for the conduct of counter battery fires to approximately 40km, which is indicative of coalition WLR capabilities of between 30 – 50km. UAS can provide similar capability, albeit direct observation required, but is limited to an operational radius of around 120km. Integral Bde elements can provide minimal coverage outside of the Bde's Area of Operations (AO); there would be a reliance on SF long-range reconnaissance assets or the creation of dedicated JFTs to operate significant distances forward. These observers would be limited in distance by C3 systems, and insertion and sustainment methods.

When the capabilities of the various sensor systems are superimposed over a conventional battlespace, the distance that Div can affect starts to contract with land-based forces. By applying current doctrine, a WLR can expect to be employed to observe 20 – 35km beyond the FLOT, and a UAS up to 90km dependant on launch and recovery requirements. Observers are not likely to be employed forward of these distances given support requirements. Given that these assets, as discussed earlier, should belong at the Div level, it is fair to assume that with the current land domain assets that Div can effectively apply fires from a LRRS to influence the battlefield up to 90km from the FLOT.

DISCUSSION ON THE EMPLOYMENT OF A LONG RANGE ROCKET SYSTEM

It can be seen that the RAA's sphere of influence on the battlefield will grow from 30km to 300km, there is a disparity in the ability as a land force to effectively detect and track beyond 90km to allow these engagements. The RAA will, for the first time, have a system that can engage further than can be observed with assets from the land domain. To be able to engage at 90km, or for that matter at 300km, there needs to be the ability to

detect and track targets beyond these ranges. This is not an assertion that Army needs to procure assets that enable detection beyond 300km. This is where Div becomes the focal point for STA and deep fires assets. As postulated throughout, Div should hold WLR, STA, and GBAMD assets, as well as the C2 for a LRRS. This enables the layering of effects from 90km through to the FLOT and within the subordinate Bde Areas of Operation (AO). As Div is also the first true JTF headquarters. It is able to leverage off joint and coalition assets to cover the 90km plus sensor gap.

... that the RAA's sphere of influence on the battlefield will grow from 30km to 300km, there is a disparity in the ability as a land force to effectively detect and track beyond 90km ...

This further reinforces the importance of Div controlling these STA and LRRS assets. Div is able to plan and execute within the Air Task Order (ATO) cycle and truly participate in the joint targeting process. This will enable a land-based strike being able to be executed by Div with a missile, and also layer joint STA assets to genuinely influence the deep and rear battles as a land-based JTF. This will enable the subordinate Bde elements to focus on the tactical fight, with visibility of the 24 – 48 hour window. Dependant on the weighting of the main effort, some of these Div assets may be allocated lower for discreet periods; however, this will be based on the Div Commander's plan, not the Bde Commander, as has become the norm in recent years.

CONCLUSION

It can be seen that broadly the tactics for the employment of a mobile and manoeuvrable LRRS are already established in doctrine, and the C3 infrastructure already exists for a system such as HIMARS, the main issue that faces the RAA and Army is the fact that we will be able to shoot further than we can see. Yes, there will be the need to improve the EPLRS network or SATCOM capabilities commensurate with the distances a LRRS or JFTs could be deployed from friendly forces, but AFATDS provides the RAA with a true 'plug and play' C3 capability. Retaining WLR, UAS and GBAMD capabilities with Div will truly enable GSR and GS fires as part of a JTF, allowing true integration with the ATO and the joint domain, and enabling coalition linkages. This is what is required for the RAA to hit what it currently cannot see.

Artillery Tactical Tasks

Captain Jacob Beale

‘The primary purpose of any theory is to clarify concepts and ideas that have become confused and entangled’

Clausewitz

Artillery Tactical Tasks are the means with which we control and delineate responsibilities of command for Artillery. These are our doctrinal means for stipulating who has authority to engage or move the Guns and responsibility to resupply them. This needs to be clearly articulated at the earliest possible point in order to enable planning and ensure that two headquarters are not simultaneously planning for the same things. In this paper I will explain how Artillery Tactical Tasks should doctrinally be used, how I believe they are currently being used, and offer an alternative to how we could potentially control Artillery.

These are our doctrinal means for stipulating who has authority to engage or move the Guns and responsibility to resupply them.

Currently each Regiment has adopted their own variation of Artillery Tactical Tasks. What was once considered a set doctrinal meaning is now being muddled by different understandings and interpretations. This turn of events has only occurred since the introduction of AFATDS into service. Because of this there needs to be an analysis of Artillery Tactical Tasks and a comparison between doctrine, what is practiced now and what a potential answer could look like.

The purists among us would be able to state that doctrinally Artillery Tactical Tasks can be broken into:

- Direct Support;
- General Support;
- Reinforcing; and
- General Support Reinforcing.

These Artillery Tactical Tasks have definite meaning and application to break down the priority of fires inside them. The meanings of each as defined by the Employment of Artillery are:

Direct Support – Artillery has a primary task to provide fire requested by the supported unit. This implies the following:

- a high degree of guarantee of fire; and
- provision of observers, communications and liaison, including the responsibility for fire planning and the coordination of all OS at every level of command from sub-unit upwards.¹

General Support – GS artillery is artillery retained by the senior manoeuvre commander to influence the battle. This artillery provides the commander the ability to fight the battle in depth, influence the contact battle and/or reinforce their ME.²

Reinforcing – Reinforcing is the tactical task that allows the weight of fire of an artillery unit to be augmented by another artillery unit. Artillery units can only reinforce other artillery units and not a combined arms unit or formation. The tactical task of reinforcing is likely to be accompanied by caveats on time or ammunition expenditure.³

General Support Reinforcing – A gun group allotted the tactical task of GSR the artillery of another formation or unit does not provide a high degree of guarantee of fire. The allotted gun group will respond to the reinforced unit only if the commanding HQ has no higher priority task for it.⁴ The table following is another means of defining Artillery Tactical Tasks⁵

¹ LWD 3-4-1, Employment of Artillery, 2009

² LWD 3-4-1, Employment of Artillery, 2009

³ LWD 3-4-1, Employment of Artillery, 2009

⁴ LWD 3-4-1, Employment of Artillery, 2009

⁵ LWP-CA (OS) 5-3-1, Gun Deployment and Routine, 2014

| Serial (a) | Tactical Task (b) | Answers Calls for Fire in Priority from (c) | Establishes Liaison with (d) | Establishes Communications with (e) | Furnishes Joint Fires and Effects Coordination Centre Joint Fires Teams to (f) | Weapons Moved and Deployed by ⁽¹⁾ (g) | Has as its Zone of Fire (h) | Has its Fire Planned by (i) |
|--|-----------------------------|---|--|--|---|---|--|--|
| 1. | Direct support | Directly supported formation/unit Own JFT Higher JFECC ⁽²⁾ | Directly supported formation/unit ⁽²⁾ | Directly supported formation/unit | JFECC – formation/unit HQ JFT – each manoeuvre sub-unit (ie, company/ squadron) of the directly supported formation/unit | The assigned JFECC or as ordered by higher JFECC ⁽²⁾ | Zone of action ⁽⁴⁾ of the directly supported formation/unit | Develops own fire plans in coordination with directly supported formation/unit |
| 2. | Reinforcing | Reinforced artillery unit Own JFT Higher JFECC ⁽²⁾ | Reinforced artillery unit | Reinforced unit JFECC | Upon request from reinforced artillery unit ⁽⁵⁾ | The assigned JFECC or as ordered by higher JFECC ⁽²⁾ | Zone of fire of reinforced artillery unit or zone prescribed | Reinforced artillery unit |
| 3. | General support reinforcing | Higher JFECC ⁽²⁾ Reinforced artillery unit Own JFT | Reinforced artillery unit | | Reinforced artillery unit if approved by higher JFECC ⁽²⁾⁽⁵⁾ | Higher JFECC ⁽²⁾ or the allocated reinforced artillery unit when delegated by higher JFECC | Zone of action ⁽⁴⁾ of the supported formation/unit to include zone of fire of the reinforced artillery unit | Higher JFECC ⁽²⁾ When delegated by higher JFECC, reinforced artillery unit JFECC or as specified |
| 4. | General support | Higher JFECC ⁽²⁾ and target acquisition artillery Own JFT | No inherent requirement | | | Higher JFECC ⁽²⁾ | Zone of action ⁽⁴⁾ of the supported formation/unit or zone prescribed | Higher JFECC ⁽²⁾ |
| <p>Note:</p> <p>1. The movement authority precedence is as listed. Movement is always on order of the first authority listed unless specified in the OPORD, or subsequent orders issued by the senior or controlling JFECC.</p> <p>2. The higher level JFECC assigning command of the artillery unit.</p> <p>3. Includes the provision of a Regiment JFECC as applicable.</p> <p>4. A tactical subdivision of a larger area, the responsibility of which is assigned to a tactical unit, generally applied to offensive action.</p> <p>5. Applies also to the provision of LO.</p> | | | | | | | | |

Some would say that this is only applicable to a Brigade level where you would see 4th Regiment as being Direct Support to 3rd Brigade and everything underneath it is detailed as being varying levels of priority of fire support. The problem with this interpretation is that there is no definable doctrine on what priority of fire support is. The U.S. Army use priority of fire support as at priority call⁶. This has the Gun unit have its fires planned by the unit in which it is allocated as at priority call.

Others say that with the doctrinal interpretation of Artillery Tactical Tasks they can be passed down to a Battle Group level, with this interpretation you would see something akin to 105th Battery being Direct Support to 6 RAR. Whilst the Artillery Tactical Tasks allow for this to occur it also limits the ability of Brigades to ‘mass’ fires or create concentration of fire. It should be noted that Direct Support does not

mean you control the movement or resupply of the Guns unless dictated. Whilst this application of Artillery Tactical Tasks works, personally, I believe it does not provide the level of direction required.

Inside these broad explanations of Artillery Tactical Tasks each Regiment has shifted the doctrinal meanings of Artillery Tactical Tasks to represent how they think that the Artillery Tactical Tasks should be conducted.

Whilst this application of Artillery Tactical Tasks works, personally, I believe it does not provide the level of direction required.

On Hamel 2016 the Artillery Regiment used Guns as reinforcing to Battle Groups to allow flexibility in providing fires in support of multiple units. Whilst called reinforcing the Guns were a mixture of Direct Support and General Support. This differs from doctrine in that the Employment of Artillery states that Artillery units can only reinforce other artillery units and not a combined arms unit or formation.

⁶ FM6-20-20 Tactics Techniques and Procedures for Fire Support at Battalion Task Force and below

This demonstrates a disregard for doctrine and confuses the application of Artillery Tactical Tasks.

In 2015 one of the Artillery Regiment's started allocating their Battle Group JFECCs as DS to the Battle Groups and then allocates the Guns as Reinforcing the JFECC. The theory behind this is again that it provides more flexibility to the higher commander and defines the level of support. This differs from doctrine in a similar way to 8/12 except that it also adds the added complication of making a JFECC Direct Support rather than OPCON.

Whilst this has been conducted by some Regiments others are maintaining the utilisation of giving Batteries as Direct Support to Battle Groups. This follows closely with doctrine in the second example given of the 'traditional' interpretations of Artillery Tactical Tasks.

Clearly each Regiment has developed their own means of providing Artillery Tactical Tasks. This makes the application fire support confusing and denies young Artillery officer's and manoeuvre commander's the ability to interpret our definitions. Anyone who is posted from 1 Regiment as a Battery Captain to 4 Regiment as a Battery Commander would be confused as to the command relationships for Artillery. Further, Divisional Artillery cannot establish control with the current understandings of Artillery Tactical Tasks. Because the Regiments have changed the meanings of Artillery Tactical Tasks when they are later allocated an Artillery Tactical Task from the Divisional JFECC the staff would be confused as to the meanings and definitions of what that means to them.

Whilst most see Artillery Tactical Tasks as being a sound means of control for Divisional Artillery to allocate support to Brigades the fault lies in a lack of explanation of how to control Artillery beneath this. Doctrine is relatively vague on how to allocate the resources from Brigade back down to the Battle Group.

A possible method of establishing Artillery control is by delineating different types of command and then applying the different tasks underneath them, these could then also be looked at as being sub-task inside the Artillery Tactical Tasks or even Missions inside the Artillery Tactical Tasks. We can utilise the following types of command with the following sub roles/tasks.

Centralised command:

- Counter Battery Fire
- Attack Guidance Matrix / target focused / HVT engagement

Decentralised control:

- Close support

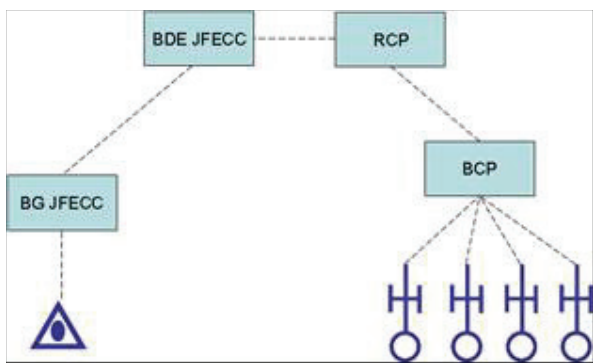
Centralised command is about maintaining authority of fires engagement at a higher level. It allows massing of fires and is often more target focused than manoeuvre focused. It should be about setting the conditions for close support to occur. The tasks inside centralised command are counter battery fire and HVT engagement.

Counter Battery Fire – The role of a counter battery fire call sign is self-explanatory and yet what is not talked about or practiced enough is the need to have a 'callsign' dedicated to counter battery fire. This task can only be controlled at the higher levels where they have the appropriate sensor platforms capable of identifying enemy Artillery. This in itself is particularly important as we do not practice sound ranging, flash spotting or any other means of passive identification. The importance of counter battery fire as a dedicated task lies in that it allows for manoeuvre to occur far better than suppression of an infantry pit and it allows our close support Artillery to fire without fear of receiving counter battery fire, thus allowing them to complete their tasks.

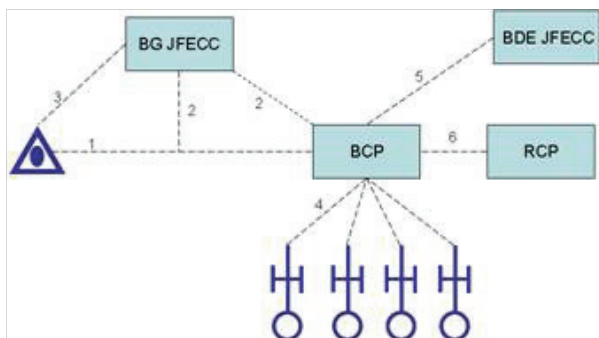
... each Regiment has developed their own means of providing Artillery Tactical Tasks. This makes the application fire support confusing ...

HVT Engagement – In a defensive role where Artillery should be more centralised to create greater shaping effects the role of a call sign/s dedicated to HVT engagement is crucial. This allows you to engage targets off your AGM above firing in support of manoeuvre. Whilst this is closely related to General Support it has the potential to better link in with delegation of POFS and details to the firing unit/planner what the priority is and what definable effect they want to achieve. In an offensive role where redundancy permits callsigns could also be allocated to HVT engagement where they are dedicated to a shaping for offensive manoeuvre.

Decentralised control relies on delegating the authorities for fires down to the lowest possible levels. Where a centralised command follows our current data thread being:



Decentralised control can be conducted in a more streamlined manner. Whilst not necessary it can be conducted as follows:



Notes:

1. JFT Sends CFF direct to BCP.
2. BG JFECC monitors but does not intervene (silence equates to consent). BG JFECC gives clear ground to BCP.
3. SITREPs between JFT and BG JFECC as necessary.
4. BCP processes mission and sends to Guns.
5. Clear Air request sent to BDE JFECC.
6. RCP monitors ammunition usage to enable resupply

Decentralised control allows the rapid application of fires in support of manoeuvre forces. This gives elements underneath the Brigade the ability to seize the initiative and exploit opportunities. If done correctly this would help enable tempo to be established and give the manoeuvre forces an ability to rapidly react to changing situations. The primary task as part of decentralised control is close support.

Close Support – When conducting close support a fire unit fires for the supported callsign as they would in direct support. Their primary function is to allow manoeuvre forces to close with the enemy. This allows them to rapidly react to situations and gives them a dedicated fire support unit in addition to what they would have from their mortars. The importance of this is in the attack, if a Battle Group has been given an independent attack task or they are the main effort in a Brigade attack then close support

Artillery allows the manoeuvre unit to rapidly switch tasks and maintain momentum.

Inside these command relationships and tasks we can then prioritise the tasks delegated, for instance; 101 Battery is tasked with HVT engagement followed by close support to 1 RAR. This would work similar to what you would find with General Support Reinforcing however it is now clearer to the ‘reinforced’ unit where the priority lays. They are to engage targets off the AGM as dictated to them but if they aren’t identified then they should engage targets in support of their manoeuvre unit. This has now detailed the priority of fire support and should allow greater mission command as it better details intent from the higher commander.

Main effort and supporting effort are thus enabled through the use of centralised and decentralised command. Decentralised command enables the main-effort commander to receive immediate responsive fires within seconds as would be expected from classical fires⁷ as described by Lt. Col. Robert R. Leonhard. By utilising decentralised command we can also provide an assurance to the manoeuvre commander that whilst allocated as close support the supporting Artillery unit serves one master not two. Use of this also allows for synchronisation at the tactical level.

Centralised command also works effectively as it can provide a means of Supporting Efforts to utilise fire units to engage Divisional or Brigade HVTs in its AO as well as enable it to understand the priorities of fire. It also allows the Commander to mass his fires if required and gives him greater control over the battle space, particularly in shaping the enemy. These concepts for Artillery support are not new. In fact they are based around the levels of support Colonel Georg Bruchmuller⁸ used in World War 1 and are not too far different from how we operated pre NATO Artillery Tactical Tasks. The lack of doctrine on how to provide Artillery Tactical Tasks beneath Brigade is creating ambiguity amongst the Regiments and detracts from our ability to mentor young officers. Whilst the concept I have detailed are not a perfect solution I believe it would help to realign how we think of Artillery Tactical Tasks in the future and would assist with minimising the ambiguity that has arisen in recent years.

⁷ Classical Fire Support vs Parallel Fires, Lt. Col. Robert R. Leonhard, April 2001

⁸ Steel Wind, David T. Zabecki

Artillery doctrine and Artillery in practice has diverged from a path which we used to walk in lock step. This requires for someone to either push them back together or analyse why they are moving in separate directions. The analysis of this problem is one the RAA needs to conduct in the near future as band aid solutions do not work. We need to adapt and improve on our current practices to grow and remain relevant.



Australian Government
Department of Defence

Department of Defence Ministers

10 April 2017

Senator the Hon Marise Payne

MEDIA RELEASES

\$2 billion Ground Based Air Defence System - Big Opportunity for Australian Defence Industry

The Turnbull Government has provided approval for the development of a Short Range Ground Based Air Defence system to improve protection for deployed personnel.

Minister for Defence Senator the Hon Marise Payne said the project is the first step in the development of the Australian Army's contribution to the Australian Defence Force's Integrated Air and Missile Defence Program announced in the 2016 Defence White Paper.

The Government will invest up to \$2 billion in the system which will provide the inner most layer of Australia's enhanced integrated air and missile capability. The capability will be operated by the Army's 16th Air Land Regiment.

'A modern and integrated ground-based air defence system is needed to protect our deployed forces from increasingly sophisticated air threats, both globally and within our region,' said Minister Payne.

'Australia's current short-range capability is 30 years old and due to be retired early next decade. The replacement system will provide improved protection for our deployed servicemen and women.'

A Single Supplier Limited Request for Tender will be released to Raytheon Australia in the first half of 2017 to develop its highly successful National Advanced Surface to Air Missile System (NASAMS) for the Australian Defence Force.

Minister for Defence Industry, the Hon Christopher Pyne MP, said the project would seek to maximise Australian industry content to ensure our defence dollar helps deliver local jobs and economic growth.

'Through a Risk Mitigation Contract, the Government will ensure there are opportunities for Australian industry participation, with direct access to Raytheon Australia for local businesses to showcase their abilities,' Mr Pyne said.

'As part of this contract Raytheon will hold workshops across the country to engage with local industry, giving them an opportunity to be part of the supply chain for this project worth up to \$2 billion. Defence will collaborate with Raytheon Australia and Canberra-based CEA Technologies to look at integrating the Canberra-based firm's radar into an upgraded NASAMS.'

'CEA Technologies' ground breaking phased array radar system has already been incorporated into Australia's ANZAC class frigates and this project, will trial the technology in a land-based role.

Through the Risk Mitigation Activity Defence and Raytheon will also investigate using Thales Australia's 'Hawkei' protected mobility vehicle, manufactured in Bendigo, Victoria, as a potential platform for the system's missile launchers.

Defence will complete a detailed analysis prior to returning to Government for final consideration in 2019.

On target

Precision fires key topic at symposium

Cpl Sebastian Beurich

Army, *The Soldiers' Newspaper*, December 15, 2016

UNLESS you're involved in the world of precision fires, you've probably never heard of the term 'target mensuration only' (TMO).

The School of Artillery personnel involved in the introduction of TMO to the Royal Australian Artillery (RAA) are even more familiar with it after a world-first symposium was held on the topic on November 14.

Strike Cell SM WO2 Daniel Brauman said the symposium allowed six nations to bring together their experiences with the targeting method.

"This is the first symposium held within the TMO community. We had representatives from the Netherlands, Denmark, US, New Zealand and UK join us to look at best practices and emerging trends and technologies," he said.

"The US was the leader in TMO originally, with the UK also involved for a long time. Australia's program was established in 2013, so it's quite junior compared to some of the other nations.

"The school is the only TMO accredited unit within the ADF. There are other units that practise precision point mensuration (PPM), but we are the house of excellence when it comes to TMO."

Used as an alternative to PPM, TMO allows joint fires operators to dynamically calculate coordinates in support of fire missions.

"PPM is about planned and precision targeting. TMO is used at the 'cold front' and allows the user on the ground to generate a category one coordinate while in contact with the enemy," WO2 Brauman said.

"There is a distinct difference between planned and dynamic targeting, but the same accuracy can be achieved."

"We always want to be using a category one coordinate, which is the best you can produce, with anything from 0-3m from the point at which you drop on the ground to where the ordnance will potentially land.

"We have a number of people in our community using TMO – RAA's joint fire observers and joint fires teams, as well as Defence's joint terminal attack controllers and our Special Forces community.

"We are going to look at expanding the TMO capability into the wider Army."

The symposium allowed each nation a glimpse at how they ran their TMO programs.

"We are looking at a standardised team, made up of personnel from each nation, to fly around and evaluate all of our programs every two years," WO2 Brauman said. "We'll also be looking at different mensuration tools available on the market, and the way forward for each nation.

Around the Regiment

New Regiment – 9th Regiment RAA

*Major DT (Terry) Brennan
Compiled from correspondence by
Head of Regiment, Colonel AR Burke
& Regimental Committee Meeting 2016
Minutes*

Background

The conversion of the RAA Reserve Regiments to mortars ultimately resulted in all the Regimental Headquarters as well as a number of batteries being disestablished. The remaining six batteries were then placed under command of their respective direct support battalion. The experience gained from this command and control arrangement resulted in a review by Army Headquarters.

The remaining six batteries were then placed under command of their respective direct support battalion.

In late 2016 as a result of significant staff work by members of the Headquarters 2nd Division Joint Fires Cell, Chief of Army announced that six reserve batteries would be grouped under command of a new Regimental Headquarters. Brigadier Furini said:

“Army specifically agreed to create an 'Artillery Regimental Headquarters' to command the six batteries currently on the ORBAT of 2nd Division and to create a unit establishment for the new Regiment. In making this decision the current HQ 2 Div Joint Fires (JF) Cell was identified as providing the manning offsets to form the nucleus of the new Regimental Headquarters. The commander of this Regiment will be recognised by the career management agency as being a CO - a critically important aspect to create a career path for RAA Reservists.”

Head of Regiment was requested to recommend to CA the name of the Regiment. To ensure due diligence in agreeing a name, he sought advice from the RAA History Sub Committee (HSC). In providing guidance to the HSC, HOR said:

“Whilst we should be mindful of it, I do not want to over emphasise the issue of 'state' centricity. I note that the unit will command batteries from across the Commonwealth and that potential future COs could be drawn from anywhere, and the new unit will create its own unique history going forward.”

Colonel Arthur Burke OAM (Retd) agreed to undertake this research on behalf of the HSC. In his final report to the Head of Regiment and the Regimental Committee he outlined a number of options and the supporting rationale which are detailed in the following paragraphs.

2nd Regiment RAA or 2nd Regiment RAA (Light). The oldest field artillery unit headquarters in the RAA. 2nd Australian Field Artillery Brigade (AFAB) put the first gun ashore at Gallipoli. 2 AFAB was a significant militia unit in Victoria between the wars and fathered the 2/2nd and 2nd Australian Field Regiments in the Second World War. The 2/2nd fired the first round in the Battle of Bardia. However, this title would suggest a possible conflict with the current 2nd/10th Light Battery RAA and could also be seen as Victoria centric.

3rd Regiment RAA or 3rd Regiment RAA (Light). This unit traces its lineage back to 1914 and was perpetuated in the 3rd Army Brigade AFA and the 2/3rd Australian Field Regiment. Similar to the discussion on 2nd Regiment above, there is no obvious advantage in longevity over that unit. Also, if used there would then be a need to renumber 3rd Battery RAA (Light) as it is currently the contraction of 3rd Regiment RAA (Light) and this would have a domino effect which would destroy the rationale developed for the light units.

9th, 14th or 21st Regiment RAA. These are numbers of former field branch units raised in NSW, the proposed location of the new unit's

headquarters. These units have respective heritages dating back to 1903, 1914 and 1921. These would perpetuate traditional territorial associations within NSW as well as a number of Great War, militia and Second World War unit lineages. However, with the already suspended animation of Victoria's proud 3rd Division, any of these titles could be seen as NSW centric.

18th Regiment RAA. The new unit's headquarters is proposed to be located at Kogarah, NSW, a depot which has a volunteer infantry heritage dating from 1899 and the 1952 home of the 18th Light Anti-Aircraft Regiment RAA. This unit name would not have any longevity of RAA heritage or active service to its credit. Again, it could also be seen as NSW centric.

... he outlined a number of options and the supporting rationale.

HQ RAA 2nd Division or HQ 2nd Division Artillery. These are the traditional titles for the artillery headquarters at divisional level and have been in vogue since Headquarters 1st Division was first raised on 5th August 1914. Though these headquarters have always commanded regimental-sized rather than battery-sized units, they have always been recognised as the RAA command, control and advice agency for the divisional commander. Just because RAA units within the 2nd Division have now been downsized from regiments to batteries, there should not be any reason why the divisional commanding RAA headquarters needs to change its name, only the rank and title of its leader from a brigadier commander to a lieutenant colonel commanding officer. HQ RAA is the longest existing title, only changing to HQ Artillery in relatively modern times. However, the use of a former formation headquarters title may be misunderstood as creating something larger than a coordinating unit headquarters and this would mitigate against its use.

2nd Division Regiment RAA or 2nd Division Regiment RAA (Light). These titles recognise the 'home' level of the headquarters, acknowledge the name of the division of which it is a part, and avoid any conflict or prejudice with previous RAA units or their states of origin. They do break new ground to a degree, but this should not really be of concern when one reviews the titles of supplementary units at Army level during our two world wars, eg 14th Army Brigade AFA and 2/11th (Army) Field Regiment.

New Title

At the Regimental Committee meeting last year Brigadier John Cox, Chair of the HSC briefed those present on the final recommendation. He introduced his comments by highlighting there are two key elements to consider when determining the title of a unit, namely the 'number' and the 'function'. He said there were many aspects to consider when doing this but most importantly it was to be consistent with where the Royal Regiment is today. He explained that in formulating a recommendation two key considerations were to choose a number not currently utilised by the Royal Regiment and to ensure the new number did not necessitate the renumbering of the batteries. Brigadier Cox stated that the final recommendation was '9th Regiment RAA'. During the subsequent discussion HOR confirmed that there would be no 'Light' in the title of the Regiment.

HOR confirmed that there would be no 'Light' in the title of the Regiment.

HOR indicated it was also his responsibility to recommend a colour patch. He said "The colour patch of 9th Field Artillery Brigade in WW1 is handsome and distinctive. I plan to recommend the adoption of that colour patch."



9th Regiment, Royal Regiment of Australian Artillery

HISTORY AND PERPETUATED LINKAGES

Keith Glyde, HSC Member

Raised at Victoria Barracks, Paddington NSW effective 1st July 1903 as the NSW Brigade (Bde) of Field Artillery, a Militia component of the new Australian military forces. It is the third oldest Australian reserve field branch artillery regimental sized organization, consisting initially of Numbers (Nos) 1 and 2 NSW

Batteries (Btys), Australian Field Artillery (AFA). In 1908 No 5 NSW Bty AFA, Australia's first howitzer battery, was formed in the brigade.

It was raised at a time of growing recognition within field artillery that a lieutenant colonel command's a group of batteries and that this should be a permanent tactical and administrative organisation, and that the CO should train in peace the batteries he would command in war.

In 1912 it was numbered 1 FA Bde and subsequently in 1913, renumbered 4 FA Bde. In 1914, as 4 AFA Bde, it provided almost every one of its officers and a substantial cadre of non-commissioned officers' and men to the 1st Field Artillery Brigade and the 1st Divisional Ammunition Column of the AIF. During the Great War it continued to accept drafts of Universal Trainees from the Senior Cadets and train them as gunners.

In 1921 the brigade was redesignated IX Bde AFA to perpetuate the service during the Great War of 9 Fd Arty Bde AIF, the batteries of which were broken up on arrival in France in 1917 to provide the third section to each of 107 and 108 How Btys of 3 Aust Div Arty, and the third section of each 18-pounder gun battery of 12 Army Bde AFA.

... a lieutenant colonel command's a group of batteries and that this should be a permanent tactical and administrative organisation, ...

It was the senior field artillery brigade of 2 Div Arty from 1921. Until 1929 it continued to train Universal Trainees, reorganizing on a basis of voluntary enlistment at the end of that year and being redesignated 9 Fd Bde AFA. Between 1939-41 it carried out the home training for the Sydney University Regiment (SUR) Fd Bty, of which Sir Roden Cutler VC was a member.

At the end of 1940 it was reorganized as 9 Fd Regt, and now as part of 1 Div was mobilised for the defence of Australia in late 1941. It provided a demonstration battery for the Amphibious Training Centre during 1943, and a depot battery for the School of Artillery (Field) between 1943 and 1944. In May 1943, in recognition that in excess of 75% of its members were volunteers for active service outside Australia, it was redesignated 9 Aust Fd Regt (AIF).

It was disbanded in mid-1944, having served since late 1943 as a Young Soldiers holding unit, providing for soldiers under the age of 20 years who could not be posted to units of the Field Army until they had completed six months training, and soldiers under the age of 19 years who could not be posted to the Northern Territory or outside the mainland of Australia and Tasmania.

It was not reformed in the post-Second World War Citizen Military Forces but in 1955 1 HAA Regt was renumbered 9 HAA Regt specifically to perpetuate the territorial association of '9' with the Sydney area. Its direct lineal descendant at Paddington appears to have been 1st Combined Operations Bombardment Regiment, later 28th amphibious Observation Regiment RAA.

9th Regiment RAA also perpetuates the service during the Second World War of the 2/9th Australian Field Regiment, raised in NSW, and which served abroad in Egypt, Palestine, Syria, Torres Straits, and Merauke (Dutch New Guinea) as a corps artillery asset during 1940 and 1945.



A SMIG Down Under

*Warrant Officer Class Two David Morgan
First Published in 'The Gunner', August 2016
Royal Artillery Regimental Magazine*

Introduction

Having been a Commando Gunner all my career it's safe I to say I've been to some fantastic countries all over the world. However, none come close to my two years as the UK exchange SMIG in Australia. The School of Artillery is located in Puckapunyal, which is nestled in Victoria about 100km north of Melbourne. Puckapunyal is home to the School of Artillery, Army School of Transport and School of Armour.

... replace the sheep and bustards for kangaroos and emu's, ...

The town of Seymour is located some 12 km away from camp and is the main town that services the whole of Puckapunyal. In fact, replace the sheep and bustards for kangaroos and emu's, and it's very much like Larkhill and Amesbury.

The Royal Australian Artillery (RAA) has gone through some major changes over the last five years; the M198 Medium Gun and L119 Light Gun have both been replaced by the M777A2. Digital communications and computation in the Command Post is done by the American system, Advanced Field Artillery Tactical Data System (AFATDS), the RAA are also on the verge of introducing HIMARS to enhance the effects to the battlefield. All the Reserve units in the RAA are now mortars.

UK Exchange SMIG

The role of the UK exchange SMIG is significant here; there are a few exchange officers here in Australia, mostly filled by the Royal Navy and the Royal Air Force, with a few Army personnel dotted around the place. However, I am the only one in Victoria. We no longer fill the UK Instructor Gunnery (IG) position to the RAA anymore (I still don't know why) so the UK SMIG provides all of the UK Artillery support to the School of Artillery. This includes range planning, range safety, reconnaissance and manoeuvre, ammunition principles, equipment principles and all our doctrine and procedures to name a few. I've also had to complete a M777A2 and the AFATDS course, enabling me to instruct on the equipment.

We no longer fill the UK Instructor Gunnery (IG) position to the RAA anymore (I still don't know why) ...

The UK SMIG (or Pom SMIG, as I'm commonly called) works in the Command Cell of Joint Fires Wing. The Wing is broken down into four cells; these are Command Cell, Strike Cell, Artillery Command System Operator Cell and the Targeting cell. The Wing is equivalent to the Strike Integrate Branch at the Royal School of Artillery. My main role is to run the Regimental Officer Basic Course Offensive Support (ROBC OS) which is the RAA equivalent of the Regimental Officer Basic Course.

The course is 14 weeks long and is intense to say the least. We cover basic ammunition and equipment principles, command post procedures incorporating AFATDS both in the Battle Group JFECC and at the command post, reconnaissance and manoeuvre, finally culminating with a 10 day live fire exercise to enable us to put the young officers through their paces.

Once ROBC (OS) comes to a close I can look forward to helping the Wing out on all of the other courses we are tasked to run (of which there are many). So far I've instructed on ROBC (OS), M777A2 Detachment Commanders Courses, Command Post Detachment Commanders Courses, and numerous other courses.

Getting to work with another country's Artillery has been a privilege, especially as the Australians are so professional.

During my time here I've had the chance to visit Sydney a few times and climb over the harbour bridge, and even try and catch a wave on Bondi beach. I have also been to Canberra and participated in the Centenary of Anzac parade and managed to catch some rugby at the G10 stadium. Travelling down the great ocean road with my family and camping out under trees full of koalas was a great experience. I sometimes forget how big this country is, it's vast, and two years is nowhere near enough time to see it all.

My time here is nearly at an end, with my replacement due to take over in September. I can't recommend this job highly enough for any second tour SMIG with time on their hands. Getting to work with another country's Artillery has been a privilege, especially as the Australians are so professional.

Freedom of Entry: City of Palmerston

*Major Matt Finnerty
Second in Command, 8th/12th Regiment RAA*

On the sands of Egypt in 1916, three Batteries were formed within the 1st Australian Field Artillery Brigade. These Batteries were known as the 1st, 2nd and 3rd Batteries and were later renamed the 101st, 102nd and 103rd Batteries. During this tumultuous time, Major Harris took

the mantle of the great 101st, a humble Captain Colding gripped up the mighty 102nd, and Major Kingsmill grabbed the 103rd by the horns. The efforts made by these batteries in WWI have gone down in History, and one century later, they are not only remembered, but celebrated.

One brave police officer sat valiantly on his horse in defiance...

One century on, the 8th/12th Regiment, Royal Regiment of Australian Artillery, exercised the Freedom of Entry to the city of Palmerston in Darwin. This was the first time Freedom of Entry had been granted in Palmerston throughout its history. With the Queen’s Banner flying, swords drawn and gleaming, and weapons carried openly, the Regiment’s three Batteries marched on.

The Regiment was commanded on Parade by the Commanding Officer, Lieutenant Colonel Alsworth. The 101st Battery was commanded by Major John Ronayne, the 102nd (Coral) Battery commanded by Major Andrew McDonell, and the 103rd Battery commanded by Major Jared Boyd.



The reviewing officer was the Mayor of Palmerston, Councillor Ian Abbott who was flanked by Brigadier Ben James, Commander of the 1st Brigade and Parade Host Officer. The official guest was the federal member for Solomon, Natasha Griggs who, in turn, brought the Foreign Minister, Julie Bishop.

Once the Regiment was inspected, the scroll read, and Freedom of Entry granted, the Regiment marched through the streets with the most commanding presence yet seen in the southern hemisphere.



One brave police officer sat valiantly on his horse in defiance, shaking from the power of 200 brave men and women pounding the bitumen as they marched en masse towards him. The challenge to enter was made, the officer and steed moved aside, and the Regiment and Band marched onwards.

The Regiment reinforced success in the evening with a ball at the Darwin Convention Centre. With pomp and ceremony, and dressed to the nines, 380 unit members and their partners celebrated the centenary of the three Batteries. To say the evening was celebrated in true artillery fashion would be an understatement. With the dull thud of a good ram, the metaphorical guns were loaded. All personnel were primed and ready. And ‘Bang’, the first drum was thumped by the 1st Regiment RAA Band as the doors slammed open, signalling H hour and beginning the night of celebration. The rounds went down range, and the rest will be history.

Parade by day, function by night, overall it was an excellent way to commemorate the centenary of the raising of the three fighting sub-units of the 8th/12th Regiment. One century from now in 2116, we can only speculate that the withered Administrative Instruction will be pried out of a corroded and rustic antique frame, as the Batteries attempt to replicate a key event in the history of the Royal Regiment.



105th Battery - Long Tan Commemorations

*Major Shamus Armstrong, Battery Commander
105th Battery, 1st Regiment, RAA*

The 18th of August 2016 marked 50 years since the Battle of Long Tan, which is arguably the most well-known battle of the Vietnam War. The Battle also represents the largest loss of life in any single action from the War and was subsequently chosen to be an Australian day of reflection for the service of our Vietnam Veterans. To officially commemorate the day it was decided that each Battery who fired in support of Delta Company, 6th Battalion, Royal Australian Regiment, during the Battle, would provide a detachment to recreate fire missions conducted on the day.



Personnel from the Royal Regiment's 103rd and 105th Battery were joined by members of the Royal New Zealand Artillery's 161st Battery and the United States Army's 3rd/7th FA Battalion (representing 2nd/35th Artillery Battalion), to create a coalition Battery. The international detachments were quickly trained on the M2A2 and the ceremony subsequently rehearsed. In a break from tradition, the Vietnam Veterans' Association requested that a fire mission be conducted rather than a formal gun salute.

The Commemorations included an opportunity to attend the Last Post Ceremony at the Australian War Memorial on the 17th of August 2016. This was followed by an invitation to attend a reception at Parliament House for the Veterans. This was an outstanding opportunity for our young soldiers to meet their predecessors and was without a doubt one of the week's highlights. Regardless of unit or nationality, all soldiers engaged with our veterans and albeit a

brief reception, the experience was certainly not lost on the soldiers who were very proud to be part of the evening.



The following morning was crisp, with a brilliant blue sky and not so much as a breath of wind to disturb Lake Burley Griffin providing the perfect back drop as the four detachments took post. Shortly after the ceremony commenced at the Vietnam Memorial on Anzac Parade, the Honour Roll was called and the guns were called into action. After two adjusting rounds the respective detachments were ready to fire once more in support of our Vietnam Veterans. With 14 rounds fire for effect the Battery completed its support and remained at the guns to welcome another pair of veterans from the Vietnam War; Two B-52 Bombers dispatched from Guam.



This was truly a coalition effort and I am grateful that both the United States Army and Royal New Zealand Artillery did not hesitate to support the commemorations. Their contribution was highly valued and is indicative of our close bonds as gunners, and interoperability. This was only one small contribution to the commemoration, but I am immensely proud of the gunners who were involved and personally proud to have been a part of the day. Although we focus on the Battle of Long Tan, it is a day for Australia to rightfully pay its respects to all of our Vietnam Veterans.

HOR Speech to the National Gunner Dinner

SATURDAY, 27 MAY 2017

Good evening fellow Gunners and friends of the Gunners. Let me start by thanking the Australian Artillery Association and Mr Philip Pomroy for this truly impressive painting of the M777. We have lots of paintings of past equipment and actions, so it is only fitting that our newest gun is captured in action, conducting direct fire on Shoalwater Bay. I will ensure it is hung in a place of pride at the School of Artillery.

I also appreciate the return of the Middle Head painting. I am sure the Regimental Master Gunner, who has the unenviable task of tracking and stocktaking Regimental property, is relieved.



M777 Painting Commissioned and Presented to the RAA by the Australian Artillery Association

But let me start by telling you all how privileged the Regimental Master Gunner and I feel to be here, and how honoured I am personally to be the Head of Regiment (HOR). The RAA is an important institution (although this term sells it short) that has given me, and all of us so much, so I am passionate about giving back.

I note the term *'once a gunner, always a gunner'* emblazoned on everything here tonight. I fundamentally believe in this, and made it my mission on taking over as HOR last year to do as much as I can to build even stronger connections between the past, present and future. So I really want to thank the Australian Artillery Association for their magnificent efforts to foster our community and for making tonight possible. Events such as this are critical in building the bridge between past, present and

future Gunners. I am sure you will all agree it has been a wonderful event so far. Thank you!

I will try not to speak for long but thought I would spend about 10 minutes, as part of this bridge building, to give you an update on the RAA today.

From an equipment and capability perspective the Regiment is in the best state I have seen it. When I became CO 8/12 Regiment in 2007/2008 most of the equipment was the same as the equipment in the Regiment when I was a brand new 'Subbie'. But when I go back now almost nothing is the same.

Overlayed on this the RAA is now truly digitised. We have come a long way from FACE and 77 sets.

As seen by the painting we have a new gun. But importantly new ammunition is now available and major projects for newer precision and unguided ammunition are finally making great progress. This ammunition will achieve ranges out to 42 km. Later this year we will get a new meteorological system to enable greater accuracy at these ranges. We have a new truck (the HX 77) being rolled out, currently in 1 Regt, where true to form Gunners have shown great innovation to turn it into a Gun Tractor.

Overlayed on this the RAA is now truly digitised. We have come a long way from FACE and 77 sets. While voice and some traditional methods will always be important, the ability of the RAA to call for fire, understand the battlefield and airspace, pass and understand intelligence through digital messages is truly amazing. In fact the RAA is the clear leader in Army on embracing this digital revolution. This is coupled with new target acquisition systems for the observers in the field regiments, Shadow UAVs in 20 STA Regiment and radars in 16 ALR. As we all know, information technology never remains static for long. So software upgrades are common, and perhaps most importantly we have been able to drive these changes from the lowest levels to better optimise solutions. The ideas and innovation I have seen in the Regiments, often from the most junior members, to embrace emerging technology have been inspiring.

20 STA is at the cutting edge of Unmanned Aerial Vehicles (UAV) developments in Army. They are developing new ways to employ and integrate the Shadow UAV into the RAA and Army, as well as joint operations, and are

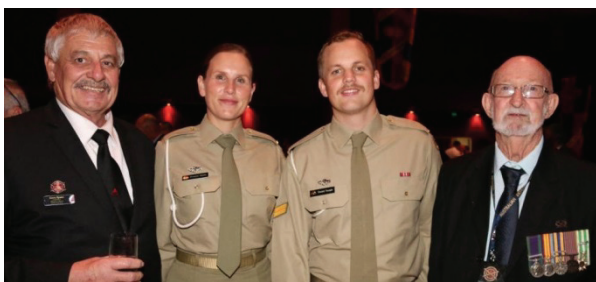
leading on exploring the use of small and micro UAVs.

16 ALR is also driving thinking on the future of Air Defence and shaping the future \$1 billion project to replace the RBS-70 and the long-gone Rapier. This system due in 2020/21 will integrate existing radars and re-establish a vital air and missile defence capability in Army.

And lastly on a capability front I am really pleased that Army has decided to re-establish an Artillery regiment within the 2nd Division. This Regiment, to be raised on 15 January 2018, will be known as 9th Regiment RAA. 9 Regt is the third oldest Reserve Field artillery Unit with a history dating back to 1 July 1903. The Regt HQ will take command of all 6 batteries that are currently under the command of the infantry Battalions. This is a great development that will enable greater technical competence, ensure that the 2nd Division is better supported with artillery and advice and capability, and enable a career path for Reserve Gunners. And very importantly it will revitalise the reserve Gunner identity within the wider Gunner community.

I am really pleased that Army has decided to re-establish an Artillery regiment within the 2nd Division.

But, no matter what equipment we have in service, or where we are on the equipment journey, it is the men and women of the RAA that make us who and what we are. It is our people who achieved great things in the past and made our proud history, and this is no different today.



16 Air Land Regiment - Old & New. (L to R) Mr Dave Spain, President of the Australian Air Defence Artillery Association with Gunner Rosanne Martin & Bombardier Daniel Nangle

A senior retired Gunner recently told me that it was his generation that are the 'living history' of the RAA, and while I don't disagree with him I think his view is narrow. And I also heard of recent commentary questioning the 'worthiness' of the experience of current veterans. This worries me. It is my view that today's Gunners

are worthy, their experiences are different and also the same, and they are part of our living history – they are making it on a daily basis. To illustrate this point I want to talk now about the men and women of the RAA.

Gunners today are serving and excelling across the globe:

- BRIG Neil Sweeney has just returned from being the Deputy Commander of all Australian Forces in the Middle East.
- COL Richard Vagg is commanding the Australian TF in Iraq.
- Gunners from all Regiments have served or are serving in Iraq and Afghanistan, where two have been killed and many wounded.
- LTCOL Paul Duncan and WO1 Paul Holstein have just finished their as the CO and RSM of the ADF contribution to the Multi National Observer Force in Egypt.
- LTCOL James Kerr is Commander of the Australian contingent to the UN Truce Monitoring Mission in Israel, Lebanon and Syria.
- COL Damien Hill recently commanded the ADF relief efforts in Queensland following TC Debbie.

In the non-operational arena Gunners are delivering excellence. In the last Queens Birthday Honours list WO1 Simon Thompson – RSM 1 Regt – received a CSM for his contributions, dedication and leadership to Artillery training and development; and WO2 Phil Grieve – 20 STA – also received a CSM for his extraordinary contribution to the integration of operational lessons into the development of innovative training for the Shadow UAV.

I also heard of recent commentary questioning the 'worthiness' of the experience of current veterans. This worries me.

Last December LT Stacey Furlong, from 4 Regt, who is here tonight, received the Queen's Medal upon graduating from RMC. I cannot remember the last Gunner Queen's Medallist. Also last year, MAJ Wade Cooper (also here tonight), now BM 1 Bde, received the Governor Generals Prize for the top student at the Australian Command and Staff College. Recently BDR Nick Latham, a Section Commander at Kapooka, became the Champion Shot of the Army at the Australian Skill at Arms Meeting.



Our senior Warrant Officers are achieving great things with:

- WO1 Dave Lear and Mick Johnson being appointed as RSMs of 1 and 2 Divs respectively.
- WO1 Tony Kennedy will head to 7 Bde as the RSM and,
- WO1 Tony Hortle will become the RSM of RMC-A.

At the other end of the spectrum, just starting her career, GNR Claudia West became the first female Gun Number to graduate from the Gun Course in November. She is now serving in 1 Regt. Next year will also see our first female Battery Commander with MAJ Alex McDonald heading to 131 Bty.

I am also aware of our junior ranks doing great things:

- GNRs Holman, Coghlan, Zammit, and Wright, and BDR Williams and Bellert from 4 Regt.
- BDR Andrew Smart from 1 Regt (here tonight))
- BDR Sean Bradow from 8/12 Regt

- BDR Staves from 20 STA.
- GNR Morgan Haig from 5/11 Lt Bty.

All of them are doing great things, and going above and beyond in their day-to-day service.

Amongst all of this exceptional performance I would like to make two final special mentions. Last year it was decided that, to enhance Regimental identity, better honour our past and reward excellence, the RAA would create annual GNR and BDR of the year awards for the ARA, with similar trophies for the Reserve every second year.

The awards are named after two exceptional WW1 Gunners – John Carr Ewen and Edward William Mattner.

The awards are named after two exceptional WW1 Gunners – John Carr Ewen and Edward William Mattner. Both started the war as Gunners, but as was common returned to Australia as officers.

Importantly, they are two of only six Australians to be awarded the combination of MC, DCM and MM. I will not go into the detail of their exploits other than to say they were courageous and inspirational Gunners and leaders who are perfect role models after which to name these awards.

Late last year all of the Regiments provided strong nominations; with the inaugural winners announced at the RAA Conference on 11 November.

GNR (now LBDR) Jacob Aithison a Gun Number from 8/12 Regt was named the Gunner of the Year; and BDR Aaron Bamford a UAV Detachment Commander from 20 STA Regt is the current BDR of the year.

Both of these gentlemen live and breathe Army's values, and both displayed leadership, technical competence and dedication well above their worn rank. Their contribution to their detachments, batteries, Regiments and the RAA are worthy of praise and recognition.

As winners, their names will be added to a new honour board at the School of Artillery, they received an engraved watch and the Regimental Fund will provide each of them with \$3,000 for an overseas visit that will involve professional development opportunities and the scope for some fun.



BDR Aaron Bamford with spouse Coral-Lee followed by GNR Jacob Aitchinson and partner Alysha

Both gentlemen are here tonight, with their accommodation and tickets funded by the Australian Artillery association, and I would ask them to stand up so we can collectively recognise their achievements.

This is now a good time to remind you about the Regimental Fund. As highlighted by the prizes, I am committed to making it relevant to the RAA. This takes money so I ask that you all think about how you might contribute to this worthy cause.

That is why nights such as this are so important.

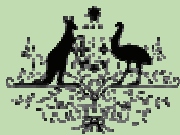
It is also worth noting for your diaries that the 50th Anniversary of Coral will be next year and the 150th anniversary of the RAA will occur in 2021. Planning is not yet mature. For the Battle of Coral I would especially note we are still waiting for details of DVA activities to be confirmed.

Finally, today's Gunners are acutely aware of the legacy that they have inherited from those that went before us - they respect it and draw upon it, and add to it every day. Despite changes in equipment and society, we are fundamentally the same – we strive to be accurate, responsive and dependable. Gunners today continue to excel, but many also face tough challenges that are not dissimilar to those many of you faced. As a community, we need to pull together and support each other - I call on us all to do more to share our wisdom and experiences so we don't remake the mistakes from the past. That is why nights such as this are so important.



(L-R) Mr Kim McGrath, HOR BRIG Craig Furini & Mr Graham Hampton

In closing, I want to reiterate my thanks to the National Artillery Association, especially to Kim and Graham for their ongoing energy and passion in providing extensive support of the RAA, support that extends well beyond this function, and for their extraordinary efforts in putting on tonight's magnificent event. Thank you



Australian Government
Department of Defence

[Department of Defence Ministers](#)

22 March 2017

THE HON CHRISTOPHER PYNE MP
Minister for Defence Industry
Leader of the House
Federal Member for Sturt

MEDIA RELEASE

NEW TRAINING SIMULATORS FOR DEFENCE

Minister for Defence Industry, the Hon Christopher Pyne MP, today announced a multi-million dollar contract with Rockwell Collins Australia to supply three Digital Terminal Control System (DTCS) simulators and associated operator and maintenance support to Defence. Defence will use these new innovative simulators to train forward observers for the modern battlefield.

Minister Pyne said the simulators allow the input and transfer of digital precision target information from a forward observer to a wide range of supporting weapon systems on the frontline.

‘The contract with Rockwell Collins Australia is valued at approximately \$3.8 million, with over 60 per cent of this being spent in Australia and four new jobs created in Sydney, Brisbane, Townsville and Darwin,’ Minister Pyne said.

‘The simulators will provide personnel from the Army and Air Force with the skills necessary to call in battlefield fire from artillery, mortars, helicopters, naval ships and fighter aircraft.’

‘These simulators will be installed at bases in Brisbane, Townsville and Darwin and complement an existing simulator at RAAF Base Williamtown.’

‘The simulators will eventually form part of a larger joint fires training system that will offer dedicated facilities for eight fully immersive training in seven locations across Australia,’ he said.

‘The purchase of these simulators is an important step in the continued improvement and modernisation of training equipment used by the Australian Defence Force.’

The simulators are due to be delivered to Defence by July 2017.

The Hero War Dog and the Man Who Cared

Tony Wright, *The Age*, Saturday, April 29, 2017

Riders in the uniforms of Light Horsemen trotted the streets on fine mounts, a donkey with a Red Cross bandage around its head plodded along, pigeons came in a cage, and dogs joined the parade.

Anzac Day at Portland in south-west Victoria was dedicated this week not simply to the memory of men and women who served and died in wars, but also to the animals who suffered alongside them.

The crowd was silenced as the story of Horrie the wartime terrier was told by guest speaker Anthony Hill, one of four authors who have written books that have granted legendary status to the little dog. Less has been told about what happened to the young Australian soldier who rescued 'Horrie' and brought him home from a war. That's a pity, for the stories of both Horrie and his soldier redeemer are revealing about good hearts, cold-eyed officialdom and what can break when war is done.

The first book about Horrie – *Horrie the Wog Dog*, it was called – was written in 1945 by the great Ion Idriess. Idriess worked on the tale with Jim Moody, who spent a slice of World War II smuggling The little dog in his rucksack around the battlefields of the Middle East, Greece and Crete.

Private Moody and a mate from an Australian machinegun battalion had found the puppy starving in the North African desert, frantically searching under stones for lizards, and they carried him by motorcycle back to camp.

They battled through the war together after that. Horrie's acute hearing warned Moody and his mates of approaching enemy aircraft, and the pup was 'promoted' to Corporal. Horrie and his protectors were shipwrecked when escaping Greece, but survived. The little dog was wounded by a bomb on Crete, but nursed back to health. The men cut up a uniform to give Horrie his own and keep him warm.

When Moody, a Melbourne boy, was to be shipped home to Australia, he couldn't bear to be separated from Corporal Horrie. Moody and his mates – larrikins known as the Rebels for their disdain for military discipline – fashioned a canvas carrying bag for Horrie and swore their ship mates to secrecy.

Three years later, after Moody had fought in New Guinea while Horrie was kept in the care of Moody's father in Melbourne, Australia's quarantine authorities got wind of the unauthorised immigrant dog. Moody was ordered to present himself and Horrie to the authorities in Sydney. Horrie was to be destroyed. The Australian public was aghast. Furious letters to the editor appeared everywhere, demanding mercy.

No Mercy came. Australia's Director of Veterinary Hygiene, R.N. Wardle, was unmoved when the publishers Angus and Robertson sent the proofs of Idriess' book about Horrie's amazing career.

"I am afraid I fail to appreciate the story and surprise is expressed that your firm would countenance a publication which records a deliberate breach of the law," thundered Wardle. "The dog has been formally taken over by our officers and, by my direction, it has been destroyed."

The Idriess book, written in Moody's own words, ended with this: "Well, Horrie, little fellow, your reward was death. You who deserved a nation's plaudits, sleep in peace. Among Australia's war heroes, we shall remember you. Under Quarantine Regulation, Horrie was destroyed on 12 March 1945."

But had Wardle's grim desire to enforce the law really been satisfied? In his book *Animal Heroes*, Anthony Hill recounts being told by a Canberra journalist, Norma Allen, that Moody had told her in 1945 that Wardle hadn't got his way at all. Moody had searched the pounds of Sydney, found a little dog that looked similar to Horrie, paid five shillings and took the unfortunate ring-in to the quarantine officers.

The real Horrie was spirited to a property in Victoria's Upper Murray, there to happily sire a brood of pups.

Part of Moody's family are convinced this is what happened, although a group of Idriess supporters and researchers dispute it. I've known Allen for decades. She's 90 now and her memory is so sharp, that when I phoned this week, she recalled the make and colour of a sports car I drove 20 years ago. She said she was a teenage first year journalism cadet when she met Moody in 1945. He was a heart-sick young man living in a caravan at Stuart Park, Wollongong. She spoke to him because he was sitting alone, weeping.

"We didn't know what PTSD [post traumatic stress disorder] was in those days," she said. "The war had left him a wreck. I worked out who he was, because the papers were full of stories about his little dog being destroyed." When she told her editor she had met Moody, she was sent back to get his story. "That's when he told me how he'd made sure Horrie wasn't killed, and how there'd been a switch. He told me he'd deny everything if I told anyone and I went back and told the editor 'no story'." Allen kept Moody's secret until 2002 when she met Hill at the book launch.

Perhaps no one now can know precisely what happened to Corporal Horrie. What is indisputable is that Horrie, like Private Jim Moody, is worth commemorating. Like a lot of unauthorised immigrants since, Horrie got no compassion from Australian officialdom, and Moody, like a lot of returned soldiers, was left to suffer his demons alone.

Rest

The Mount Schanck Trophy – An Essay

Lieutenant Colonel Con Lucey ED, RFD (Retd)

Introduction

The Mount Schanck Challenge Trophy was inaugurated to acknowledge the most efficient Field Artillery Battery in the Commonwealth Militia. Winners were to be determined annually by the measure of their efficiency in all aspects of training. While units still vie for this prestigious award, it is now subject to modified conditions. A Mr William John Turner Clarke of Melbourne formalised the offer of a perpetual trophy to the Minister of Defence by letter in June 1912. What started out as a casual quest to determine the origins of the Trophy has morphed into a narrative based on an apparent misspelling and the identity of the donor. The donor has been identified as the then owner of Mount Schanck Station in South Australia and the spelling variation has been resolved but not solved.

There are three elements to this story of the Trophy; a legendary family named; Clarke, the lavish Victorian estate named 'Rupertswood' and the owner of a South Australian estate named after a volcanic cone, Mount Schanck (later Schank).

The William John Turner Clarke who donated the trophy was a third generation member of the celebrated Clarke family and it is that family where this essay on the Trophy commences.

The Clarke Clan

The doyen of this Australian Clarke family was the remarkable William ('Big') John Turner Clarke (1805-1874). It is on record that a 'WJT' Clarke presented the Mount Schanck Challenge Trophy in 1912. However, this William John Turner, an offspring of 'Big' William Clarke, can

certainly be discounted as the donor as he died in 1897.

His father, 'Big' William was born in 1805 in Somerset, England. He married Eliza Dowling, and in 1829, they immigrated to Van Diemen's Land. For the duration of the voyage, William travelled in the hold of the ship, caring for the stock he had purchased with Eliza's dowry. William and his wife Eliza had three sons William John Turner (1831-1897), Thomas Bigges (1832-1878) and Joseph (1834-1895) and seven daughters.

Manning Clark declares, that 'Big' Clarke 'made his fortune selling stolen cattle' and by 'the 1870's owned one hundred and twenty thousand acres in Victoria... and was...worth two and a half million pounds.' His sobriquet was no passing jest for Clarke was so huge that, in his declining years, 'it took four men to carry him from his carriage into a house'.¹ In some circles, he was known as 'Moneyed' Clarke, for his 'ruthless land hunger...consummate ability in pursuit of fortune...[and] 'parsimonious habits'.²

In 1836, he departed Van Dieman's Land for Port Philip and after initially selecting land at Ballarat decided to locate closer to Melbourne. In 1850, his interest focused on Sunbury, north-west of Melbourne. The problem was that it was not freehold land and was inconveniently occupied by squatters. The Jackson brothers who came across to the Port Phillip District in 1835 were squatting on this land. However, the squatters had made a fatal error by not registered their claim. Cunningly, Clarke negotiated with the government and handed over a measure of gold for the 31,000 acres (12 500 ha). He then bought a further 36,000 acres (14 500 ha) and promptly evicted the squatters. 'Big' Clarke then conveniently occupied Jackson's two-roomed cottage, which was subsequently developed by the family as it grew into a 12-room homestead.

¹ Manning Clark, *A Short History of Australia*, 2nd rev.ed., (New York: Mentor, 1980), 145.

² Hugh Anderson, "Clarke, William John Turner (1805-1874)," <http://www.abd.online.anu.edu.au/abdonline.html> (accessed August 30, 2008)

'Big' William's eldest son, (later Sir) William John Clarke, Bt, (1831-1897), inherited all the Victorian properties plus £4 million (\$366m) in 1874. He was later to earn a baronetcy 'for his services as president of the Melbourne Exhibition in 1880-81'. One of the family estates, the Sunbury property, came under his ownership and in 1874 the foundation stone was laid for a 'family home' of 50 rooms. From his two marriages, there were three sons, Rupert Turner Havelock (1865-1926), (William Lionel) Russell (1876-1954), Francis Grenville (Frank) (1865-1955) and two daughters. Frank married in 1901 and Russell in 1908. Rupert sired two sons by his second wife Elsie, whom he had married in 1918. One 404040 was Sir William John Clarke, Bt. (the second Baronet) who was born in 1915.

William John named the palatial family home at Sunbury, 'Rupertswood' after his eldest son, Rupert (1865-1926). The family entertained on a lavish scale and everyone who was important in Melbourne society eventually wined and dined at Sunbury. Sunbury estate was the location of the famed 'Rupertswood Battery' and was conveniently serviced by a railway station, still known as Rupertswood but now disused.

(Sir) Rupert eventually inherited the property but in 1910 sold it to his brother Russell Clarke (1876-1954), whose son Michael (1915-2002) was the last of the Clarkes to have been born at 'Rupertswood'. Michael, the great grandson of 'Big' Clarke subsequently authored informative histories of the Clarke Clan.³

William John (1831-1897) had two half-brothers, Thomas Bigges⁴ (1832-1878) and Joseph (1834-1895). Little is known about Thomas other than he 'was left out of the business affairs of the estate [his father's]...and received only [a] rich pastoral property...and two farms.' Joseph (1834-1895), William John's youngest son, inherited a number of rural properties, including the Mount Schanck estate in South Australia, in 1874. The Clarke family had held this diversified property since 1862. Joseph had two sons, William John Turner (1863-1927) and Lewis Turner (1808-1858). *This* William John Turner is our charitable benefactor.

³ *Big Clarke*. Carlton, Victoria: Queensbury Press, 1980 and *Clarke of Rupertswood. 1831-1897*. Melbourne: Auscholarly Press, 1995.

⁴ In some accounts, Biggs, his maternal grandmother's surname.

Mount Schanck (Schanck)

The second piece of the puzzle is the name of the Trophy. On 3 December 1800, Lt (later Captain) James Grant named an extinct volcanic crater in South Australia, Mount Schanck, after Captain (later Admiral) John Schank RN (c.1740-1823).⁵ Later on the same voyage, he named a promontory in Victoria's Mornington Peninsula, also after Schanck. It is however, now known as Cape Schanck. A lighthouse of that name was subsequently built on the Cape in 1859.

During his exploratory voyage along Australia's south-east coast Grant's wooden vessel, the HMS *Lady Nelson*, had sliding keels built to a scheme devised by Captain (later Admiral) Schank. When Captain Matthew Flinders sailed and mapped the same coastline, he adopted (perhaps altered would be more correct) the names for any features already named by Grant. For in his 1814 Atlas, that accompanied *Terra Australis*, the 'flat topped' feature was renamed Mount Schanck and Grant's Gambier's Mountain became Mount Gambier. (It was named in 1800 by Grant after the Lord of Admiralty, Admiral of the Fleet, Sir James Gambier, 1st Baron Gambier 1756-1833.) The same spelling, Schanck, was applied to the Cape on the Victorian coastline. No reason can be established for Flinders' naming alteration.

Flinders' corrupted versions have in part been perpetuated. The feature in Victoria is officially known as Cape Schanck, whereas, the South Australian feature carries the historically correct Mount Schanck. Some contemporary maps, however, name it Mount Schanck. David Horner in his book *The Gunners* has included a photograph of the No.2 Vic Bty, AFA in camp at Cape Schanck (sic) in 1909.⁶

In 1916, a descendant of Admiral Schank wrote⁷ from London to William Clarke indicating that the correct spelling of the feature was 'Schanck' not 'Schanck'. The family, it was asserted, could trace its bloodline back to the early 14th century and the derivation of the surname was English not German or Dutch. By that time the Trophy had been donated. In a covering letter, dated

⁵ "Mount Schanck State Heritage Area". http://www.environmental.sa.gov.au/heritage/shas/sha_mtschanck.html (accessed August 30, 2008)

⁶ David Horner, *The Gunners, A History of Australian Artillery* (St Leonards: Allen & Unwin, 1995), 65.

⁷ 'Spelling of The Name of Mount Schanck', *Border Watch* (Mount Gambier, SA) February 25, 1947. <http://trove.nla.gov.au/newspaper/article/78136497/7723277>

1912, from W J T Clarke to the Secretary of Defence, setting out the donation, the spelling is 'Schanck'. Anti-German hysteria that built up during the Great War went as far as name changing and Mount Schanck⁸, perhaps assumed to have Teutonic origins, could have possibly fallen victim to that movement. Given that the name reverted to Schank circa 1916 it is more likely the curt correspondence, of that date, from England to Clarke, which had been made public, effected the name change. When Clarke made his donation in 1912 the relevant spelling of his holding in South Australia would have been 'Schanck'.

Rupertswood

This is the critical part of the puzzle, for it is at 'Rupertswood' that artillery enters the equation. 'Rupertswood' was the home of Sir William John Clarke's *élite* Battery of Horse Artillery, raised in December 1884 to protect Victoria against a perceived Russian invasion. It was the colony's only, albeit privately funded, Horse Artillery unit. Brennan records that Clarke "formed the unit largely with his own funds, as part of the military forces of the colony of Victoria"⁹.

Although the unit was officially designated the 'Nordenfeldt Battery' (comprising, three horse-drawn Nordenfeldt 10-barrel machine-guns) it was "known affectionately as 'The Rupertswood Battery'" because it was "manned by men associated with Rupertswood"¹⁰. One extravagant account claims that it was also known as the Sunbury Regiment.

In March 1889, the unit "was re-equipped with old 12-pounder RBL guns"¹¹ and converted to the Victorian Horse Artillery under the command of Major [later Major-General] Frederick Hughes, the brother-in-law of Sir

William Clarke"¹². A year later, the battery was integrated into the Field Artillery Brigade. It was disbanded in July, 1897. Rupert Clarke was lieutenant commander of the Battery that year.

The unit had been divided into two half Batteries; the left half at Werribee Park, run by the rival Chirnside family, and the right half at Rupertswood, run by the Clarke family. The Werribee Battery was disbanded in 1893 while the Rupertswood Battery continued until 1897. (William John, the founder, died the same year.) Brennan records that the Battery had become 'the pride of the colony, growing both in stature and experience'¹³.

What is relevant to the institution of the Trophy is that William John having created the 'Rupertswood' Battery also gave "prizes for competitions among other volunteer corps"¹⁴. It could be argued that this spirit of competition that was engendered in the Clarke family by William John was ultimately expressed in the donation of the Mount Schanck Challenge Trophy. The practice must have been popular at that time, for 'the Chirnside family [also] sponsored prizes and volunteer awards'¹⁵.

What is also evident is the patriotism of the Clarks. William John's decision to establish a military unit at Sunbury cannot be considered to have been altruistic, as he appears to have had a genuine concern for colonial defence. This loyalty to country, possibly drawn down from his English heritage, had filtered down to two of his sons and was to be tested by the advent of the Great War. The outbreak of war in August 1914 unleashed a wave of enthusiastic national support for Britain and support for Australia's role in the conflict.

Rupert ended up in the British Army during the War. Now aged forty-nine, he was precluded from joining the AIF as the maximum age of enlistment was forty-four. Presumably determined to serve the Empire, Rupert enlisted in the British Army Services Corps in 1915. Commissioned as a Lieutenant, he serves in Greece until 1917 at which time he was invalided out of the Army.

⁸ The usual spelling of the location was "Schanck" until around 1916, when the current spelling was adopted. This may have been prompted by the then vogue for Anglicising German place-names, but the ancient Schank family, of whom the Admiral was a member, had that spelling for much of its history. "Mount Schank" *Wikipedia The Free Encyclopedia*. Wikimedia Foundation, Inc. 13 March 2017, 20 April 2017.

⁹ Terry Brennan, "Mount Schanck Challenge Trophy", *RAA Liaison Letter- Autumn Edition*, (2006), 90.

¹⁰ Brennan, "Mount Schanck", 90.

¹¹ Horner states "12-pounder RML". Arthur Burke asserts this to be an incorrect transcription and the replacements were "12-pounder Rifled Breech Loading (RBL) gun[s]". Arthur Burke, e-mail to author, September 11, 2008.

¹² Horner, *The Gunners*, 35.

¹³ Brennan, "Mount Schanck", 90.

¹⁴ Sylvia Morrissey, "Clarke, Sir William John (1831-1897)", <http://www.abd.online.anu.edu.au/abdonline.html> (accessed August 30, 2008).

¹⁵ "Victoria's Volunteers," <http://www.users.netwit.net.au/~ianmac/volunt.html> (accessed August 30, 2008).

Rupert's half-brother Russell (aged 40), joined the AIF in 1916 and was commissioned as a Second Lieutenant in the 12th Army Brigade AFA. He did not return to Australia until 1919. There are no details of Russell's posting in the unit but Horner, in his history, records that the 12th Brigade along with 3rd, and 6th 'had only just been formed'¹⁶ in 1917 and that they were in action on the Western Front.

The Clarkes found time to play for 'Rupertswood' also holds a unique place in the great sporting rivalry between Australia and England, for in 1882 it was there, after a social match, that the burning of cricket bails by Lady Clarke ('The Ashes'¹⁷) gave the legend its substance. A chastened touring England cricket side, commissioned to recover the mythological 'ashes' were Clarke's guests at that time.

Conclusion

From the evidence available, it is obvious that the Trophy has been correctly named in 1912 if the donor's intention was to name it after the South Australian property given that the donor, William John Turner Clarke, owned the pastoral holding then named 'Mount Schanck'. After Joseph's death in 1895, William, his older son, inherited the estate. Nothing in the available records indicate a connection between the Schanck estate and artillery. There is however a strong connection between the Clarke family and artillery reaching back to 'Rupertswood'.

An analysis of the Clarke family tree to determine the donor of the trophy led to the Joseph branch. After pruning off all the possible Williams, the suspect was William, a son of Joseph. Assuming Joseph married when he was around thirty years old; an age that appears to be the norm for the family and perhaps those times, then this William fits the frame.

It is important to remember that the Government introduced Compulsory Military Training in 1911, with "[t]he first recruits [entering] the militia in mid-1912".¹⁸ This expansion created a substantial impact on the Citizen army in both size and structure. It may be more than coincidence that the Trophy was inaugurated the same year. With the expansion in the Militia artillery, it would have been an appropriate time to introduce such a Challenge trophy.

With the withdrawal of British troops from the colonies in 1870, the colonies were forced 'to rely upon their own resources for local defence'. It was at this time that the Victorian government established a permanent Artillery Corps. Victoria followed the lead given by New South Wales and introduced in 1874, 'partial payment for citizen soldiers'. At the same time, the government raised a small full-time force, 'largely gunners and engineers' to operate the coastal defences.¹⁹

Strategic assessments in 1877 and 1878 recommended that 'the first line of defence...should be naval, with a secondary defence provided by small mobile forces'²⁰ and coastal fortifications. It is against this background that William John made his decision in 1884, to establish the 'Nordenfeld' (Rupertswood) Battery. The Nordenfeldt [the inventor was Thorsten *Nordenfeldt*, not Nordenfeldt] gun was a modern (patented in 1873) and reliable weapon, had been adopted by the British Navy and was capable of a rate of fire of '3,000 rounds of ammunition [bullets] in 3 minutes and 3 seconds'²¹ and could penetrate (using 1.5 inch calibre ammunition) thick iron plate. The Clarkes could always afford the best.²²

The sense of competition that is the fundamental element of the Challenge trophy may have had its genesis in 1893 when William John took the Rupertswood Battery to England and Ireland to compete against 'the cream of British Artillery units' in Military Tournaments. The Battery was 'very successful...in one instance they defeated the Royal Horse Artillery'.²³ Competition had also fostered by both the Clarke and the Chirside families, most probably during encampments at Werribee Park.

The question of motive remains. Joseph, the father of the donor, does not appear to have any direct association with artillery other than through his brother William John Bt. and his military minded nephews, Rupert and Russell. In some way, the trophy may be an understated tribute by William to Rupert and the glory days

¹⁹ Albert Palazzo, *The Australian Army. A History of its Organization 1901-2001*. (Melbourne: OUP. 2001), 13.

²⁰ Palazzo, *The Australian Army*, 12.

²¹ "Nordenfeldt Gun", *Wikipedia The Free Encyclopedia*. Wikimedia Foundation, Inc. 2 April 2017, 20 April 2017. (initially accessed 30 August, 2008)

²² The Nordenfeldt is most famous in Australia as the weapon of the Rupertswood Battery of the Victorian Horse Artillery.

²³ Brennan, "Mount Schanck", 90.

¹⁶ Horne *The Gunners*, 140.

¹⁷ The Ashes is a small terracotta urn (perfume jar) believed to contain the ashes of a burnt cricket ball.

¹⁸ Horner, *The Gunners*, 69.

of the ‘Rupertswood’ Battery. It may also be more than a coincidence that 1912 was the twenty-fifth anniversary of the demise of the Rupertswood Battery and the death of William. Perhaps it should have been called the Rupertswood Trophy.

After a century, the Trophy has now created its own history and now may be time to put any questions about its naming aside and concentrate on compiling annals that record the deeds of the many worthy holders of this significant and only, Citizen Forces Artillery award. The only mystery remaining is who approved the name changes on Flinders' chart.

Postscript

The Trophy is now on permanent display at the School of Artillery. There is also an honour board that lists the winning Batteries and their Battery Commanders. The decision to have a permanent home for the Trophy was made in the late 1990's in the face of spiralling insurance costs and concern that the valuable silver trophy could be damaged in transit from unit to unit.

A Mount Schanck Shield is now presented in lieu of the Trophy. It depicts a silver outline of the original award with the winner's name on a removable panel. Prior to the next competition, that panel is then attached to a small plaque, which is retained by the winning Battery.

Until 1981, the award was based on a training year. Since then it has been based on the calendar year. For example, previously if the Battery was awarded the Trophy for 1973-1974 they held it until June 1974. From 1981, if the Battery was adjudged winner in 1981, it held the Trophy until 1982. As from 2005, the Trophy will, on most occasions, be awarded biennially

Glossary

- Australian Field Artillery (AFA)
- Australian Imperial Force (AIF)
- *Battery (Bty)*. Nominally, a group of six guns under the command of a major
- *Brigade (Bde)*. An operational unit comprising a number of batteries commanded by a lieutenant colonel
- *Baronetcy*. A British hereditary dignity created in 1611. The baronetage is not part of the peerage or an order of knighthood. A

Baronet is styled Sir. A. B., Bt, to distinguish him from a knight

- *Calibre*. The diameter of the bore of a gun
- *Nordenfelt Gun*. A multi-barrel (one to twelve) machine gun, of Swedish design and produced in England. Lever operated. Manual loaded. Different calibres. Designer: Helge Palmcrantz
- *RBL*. Rifled Breech Loaders.

Bibliography

Brennan, Terry. ‘Mount Schanck Challenge Trophy’ *RAA Liaison Letter-Autumn Edition* (2006): 90-93

Clark, Manning. *A Short History of Australia*. 2nd rev.ed. New York: Mentor, 1980

Horner, David. *The Gunners. A History of Australian Artillery*. St Leonards: Allen & Unwin, 1995

Palazzo, Albert. *The Australian Army. A History of its Organization. 1901-2001*. Melbourne: OUP, 2001

Author:

Lieutenant Colonel C J Lucey, RFD, ED, (b.1933), Reserve Officer, Commanding Officer 11th Field Regiment 1972-75.



UNMANNED CAPABILITY

Wasp provides soldiers with a ‘set of flying binoculars’

Army, *The Soldiers Newspaper*, June 15, 2017

NEW world-class surveillance and reconnaissance capability will give soldiers an edge on the frontline.

Government approved Project Land 129 Phase 4A on June 1, with Defence Minister Marise Payne and Defence Industry Minister Christopher Pyne announcing the \$101m investment into small unmanned aerial systems (SUAS).

Minister Payne said the capability would be acquired in two tranches, with the Wasp All Environment (AE) UAS chosen as the preferred option for the first tranche to meet an immediate need.

The \$101m in funding is for the first tranche of the capability.

When speaking to a student on a recent Wasp training course, Land 129 Phase 4A Project Manager Maj Simon Millsted, of AHQ, said the words “this is a good piece of kit” were what every AHQ staff officer wanted to hear about the equipment he or she helped bring into service.

The student, one of 16, was attending a course to train operators and instructors on the Wasp AE. The course was conducted by the School of Artillery at Puckapunyal in May and, following the classroom lectures covering airworthiness and Civil Aviation Safety Authority requirements, the students spent the majority of their time in the training area using the equipment and learning how to use the Wasp.

“The SUAS is designed to be carried in a backpack and is predominantly for use by a foot patrol,” Maj Millsted said.

“It can be in the air within 10 minutes and allows the patrol commander to see over the hill, down the road and around the corner.”

For the soldier, this means he or she does not have to carry out this task. This “set of flying binoculars” can see by day or night and provides the patrol commander with enhanced situational awareness to successfully avoid or engage potentially hostile elements to achieve mission success.

The project will roll out from 2018 and will begin with the Wasp being delivered to the School of Artillery and Socomd.

By the end of the introduction into service, every combat team in Army will have access to the capability.

SO1 UAS Lt-Col Keirin Joyce, of AHQ, said government began the SUAS project in the 2009 Defence White Paper.

“It’s exciting to deliver the equipment at the end of the process,” he said.

The Wasps currently in use were acquired as an Army Innovation Day initiative in 2014 and will continue to be used during the roll out, but will have reached the end of their useful life by the time they are replaced by the newer and updated Wasp AE SUAS.

Army has acquired the Wasp through X-Tek, an Australian company operating in Canberra, which will provide ongoing support to the Wasp AE while in Army service.

“It is truly an all-environment capability with the ability to cope with river crossings, monsoonal weather and fly in most weather conditions,” Lt-Col Joyce said.

“It really is a good piece of kit.”

Personnel

Full-time Senior Officer Appointments

| <i>Rank & Name</i> | <i>Cohort</i> | <i>Appointment</i> |
|--|---------------|--|
| Major General Gregory Charles BILTON AM, CSC | (2014) | Deputy Commander JOPS |
| Major General David Peter COGHLAN AM | (2016) | Head Land Systems Division |
| Major General Paul Bruce McLACHLAN AM, CSC | (2007) | Commander 1st Division |
| Brigadier Craig Dennis FURINI AM, CSC | (2013) | DG Plans, HQ JOC & HOR |
| Brigadier Neil T SWEENEY | (2015) | Deputy Commander 2nd Division |
| Colonel Michael Rodney AHERN | (2016) | Director Munitions SPO |
| Colonel Nicholas K BOLTON | (2012) | Student ADF School of Languages |
| Colonel Scott Edward CLINGAN | (2015) | Director Centenary of Anzac, Paris |
| Colonel John Angus DOUGALL | (2012) | Deployed |
| Colonel David Mark EDWARDS CSC | (2014) | Dir. Preparedness, Plans & Trg, HQ JOC |
| Colonel Nicholas J FOXALL | (2013) | Colonel Effects, HQ 1st Division |
| Colonel Bede T. GALVIN | (2016) | Director Collective Training, FORCOMD |
| Colonel Andrew Mark HAEBICH | (2011) | Director Joint Experimentation |
| Colonel Damian John HILL | (2016) | Commander Combat Training Centre |
| Colonel Steven John HUME | (2012) | Director Military Ops & Liaison, CASG |
| Colonel David John KELLY | (2010) | CDF Secondment to Pentagon, Washington |
| Colonel Michael Robert Carver KENNEDY | (2009) | Director Workforce Strategy – Army |
| Colonel Stuart Nicholas KENNY CSC | (2016) | Syndicate Director, CDSS |
| Colonel Douglas W MALLET | (2014) | Director Combat Support SPO, CASG |
| Colonel John Brendan McLEAN CSC | (2012) | Project Director-Land121PH4, CASG |
| Colonel Sean Thomas RYAN | (2012) | Director Special Operations Trg, HQ JOC |
| Colonel Stephen Michael SADDINGTON | (2008) | Program Dir CSS, AHU |
| Colonel Griffith C THOMAS | (1999) | Director Personnel Policy – Army |
| Colonel Richard Anthony VAGG | (2011) | Deployed |
| Colonel Charles Peter Howard WELLER CSC | (2009) | Director Centre for Leadership & Ethics, ADC |
| Colonel Brandon Ashley WOOD | (2006) | Deployed |
| Full-Time Officers Now Part-Time or on DA26 | | |
| Colonel Brian James BAILEY CSC | (2014) | Army Res-I |
| Colonel Francis Gerard COLLEY AM, CSC | (2016) | Access Examiner, DA 26 POOL-DIO |
| Colonel Andrew James COMBES | (2007) | DA 26 Pool – DCR (DPG) |
| Colonel Andrew Alfred PLANT | (2013) | DA 26 Pool - HQ AAC Canberra |
| Colonel Garry Gordon POTTER CSC | (2015) | Army Res-I |

Full-time WO1 Appointments

| <i>Rank</i> | <i>Initials</i> | <i>Surname</i> | <i>Job Description</i> | <i>Location</i> |
|-------------|-----------------|----------------|-------------------------|------------------------|
| WO1 | MM | HUMPHREY | SM TIER A | P & EE Graytown |
| WO1 | SJ | BAKER, CSM | SM TIER A | P & EE Pt Wakefield |
| WO1 | DT | RAYMENT | ASST ADMIN TIER A | APSC |
| WO1 | DR | LEHR, OAM | ASST ADMIN TIER B | CMA |
| WO1 | TL | KENNEDY | ASST ADMIN TIER A | CMA |
| WO1 | AM | HORTLE, OAM | RSM TIER B | HQ 6 CS BDE |
| WO1 | JG | JARVIS, CSM | RSM TIER A | 16 ALR |
| WO1 | JA | CORNWALL | ASST ADMIN TIER A | 16 ALR |
| WO1 | D | NUTINI | RSM TIER A | 20 STA REGT |
| WO1 | KN | FOX | MNGR UAS TIER A | 20 STA REGT |
| WO1 | SD | CARMICHAEL | RSM TIER A | 7 SIG REGT |
| WO1 | MJ | SULLIVAN, CSM | RSM TIER B | HQ 1 BDE |
| WO1 | DJ | SINCLAIR | RSM TIER A | 8/12 REGT RAA |
| WO1 | N | COLE | MNGR OPS OFF SPT TIER A | 8/12 REGT RAA |
| WO1 | SJ | SCHUMAN | RSM TIER A | 4 REGT RAA |
| WO1 | SP | THOMPSON, CSM | RSM TIER A | 1 REGT RAA |
| WO1 | PR | BOSWELL, DSM | MNGR OPS OFF SPT TIER A | 1 REGT RAA |
| WO1 | GL | BOYCE | ASST ADMIN TIER A | HQ 2 DIV |
| WO1 | RE | ANDERSEN | RSM TIER A | MUR |
| WO1 | SJ | VOSS | RSM TIER A | QUR |
| WO1 | BA | FRANKLIN | RSM TIER B | HQ 13 BDE |
| WO1 | BR | MCINTYRE | ASST ADMIN TIER A | DMA |
| WO1 | PG | HOLSTEIN | SM TIER A | WONCO A |
| WO1 | MI | JOHNSON, OAM | RSM TIER B | CATC |
| WO1 | DT | MCGARRY | SM TIER B | CATC |
| WO1 | DP | LINDSAY | RSM TIER A | SOARTY |
| WO1 | MS | DEWAR | MNGR OPS OFF SPT TIER A | SOARTY |
| WO1 | MJ | KELLY | MNGR OPS OFF SPT TIER A | SOARTY |
| WO1 | JA | QUINN | | APNRE |
| WO1 | DR | GRUNDELL, CSM | INSTR TIER A | Land Manoeuvre Systems |

New Commanding Officers

LIEUTENANT COLONEL MATTHEW SMITH

1st Regiment RAA



Lieutenant Colonel Matt Smith commissioned as an officer in the Royal Regiment of Australian Artillery. He has undertaken a variety of Regimental roles and staff officer appointments in the Australian Defence

Force, including posting to Townsville, Brisbane and Canberra as a joint fires observer, Instructor, Adjutant, Battery Commander and Deputy Director. Lieutenant Colonel Smith has deployed on operations several times, including deployments to Cambodia, East Timor and Afghanistan.

Lieutenant Colonel Smith's recent postings were a two year military exchange with the British Army and, prior to command, he was as a staff officer with weapons and technical intelligence branch within Defence Intelligence Organisation.

Lieutenant Colonel Smith is a graduate of Australian Command and Staff College and has completed a Master of Justice and a Master of Military Studies. He is married with two children.

LIEUTENANT COLONEL DAVID RYAN

8th/12th Regiment RAA



Major Dave Ryan is an Artillery officer of 18 years service. His key experiences include sub-unit command, career management, instruction and joint coalition operations.

Dave Ryan was born on 04 April 1979 in Brisbane. After completing his secondary education at St. Columban's College, he continued his studies at the Queensland

University of Technology where he graduated with a Bachelor of Justice. In 1999 Lieutenant Colonel Ryan began his military career, after being accepted into the Royal Military College. Upon graduation Lieutenant Colonel Ryan was allocated to the Royal Regiment of Australian Artillery and posted to the 1st Regiment, RAA.

Lieutenant Colonel Ryan's Regimental appointments as a subaltern included Troop Commander, Gun Position Officer and Forward Observer. As the latter, he deployed to Timor Leste in 2003 fulfilling the duties of a Civil Military Cooperation Team Commander. After returning to Australia, Lieutenant Colonel Ryan was posted to the 4th Regiment, RAA where he was employed as a Brigade Joint Offensive Support Team Commander and Battery Captain of 107th Battery. In 2006 Lieutenant Colonel Ryan was selected to attend the Gunnery Instructors Course at the Royal School of Artillery in Larkhill, United Kingdom.

At the completion of his posting to the United Kingdom in 2007, Lieutenant Colonel Ryan was posted as an Instructor Gunnery at the School of Artillery. During this posting Lieutenant Colonel Ryan was deployed on Operation Catalyst as Battle Captain with the Multi-National Corps Headquarters-Iraq. Lieutenant Colonel Ryan was subsequently appointed as the Adjutant of the 1st Regiment, RAA in 2009, and selected to command 105th Battery in 2010. In August 2009, he was promoted to concentrate with the 6th Battalion, Royal Australian Regiment Battle Group, as part of Mentoring Task Force 1. During this deployment he fulfilled the position of Officer Commanding Mentoring Team Echo, which provided mentorship to the Afghan National Army, Combat Support Kandak. After returning from Afghanistan, Lieutenant Colonel Ryan completed his appointment as the Battery Commander of 105th Battery and was awarded a Forces Command Bronze Commendation.

In 2012 Lieutenant Colonel Ryan successfully completed Australian Command and Staff Course attaining a Masters in Military Studies. Since graduating, Lieutenant Colonel Ryan has fulfilled a number of staff appointments including Senior Warrant Officer Manager at the Directorate Soldier Career Management - Army, Deputy Director Preparedness Requirements within the Vice-Chief of Defence Force Group, and Incident Manager – Army. He is currently posted to the 1st Brigade as the Commanding Officer of 8th/12th Regiment, RAA.

**LIEUTENANT COLONEL COREY SHILLABEER
CSC**

16th Air Land Regiment



Corey Shillabeer is currently appointed Commanding Officer of the 16th Air Land Regiment, situated in Woodside, South Australia. In this role he commands professional soldiers who are stewards of the Australian Defence Force Ground Based

Air Defence capability and experts at multi domain integration.

Lieutenant Colonel Shillabeer graduated from the Royal Military College – Duntroon in December 1998 and was allocated to the Royal Regiment of Australian Artillery. His regimental experience includes a variety of command appointments as a Lieutenant, Captain and Major at the then 16th Air Defence Regiment. Other junior officer postings include serving on Headquarters 1st Brigade as an Operations Captain; at the School of Artillery as Instructor-in-Gunnery of Ground Based Air Defence, and as an Aide-de-Camp to the then Commander Training Command – Army.

More recent appointments include Lieutenant Colonel Shillabeer's previous posting as Staff Officer Grade One Strategic Force Generation, within the Directorate of Force Development, Army Headquarters. In this role he developed concepts, options and plans for Army's future force. Prior, he was appointed Staff Officer Grade Two Objective Force Design within the Land Warfare Development Centre.

Lieutenant Colonel Shillabeer has deployed in support of operations on several occasions. In 2010 he commanded the first Counter – Rocket, Artillery, and Mortars Task Group in Afghanistan, rapidly introducing into operational service the then new Australian Defence Force capability. In 2008 he deployed as a United Nations Military Observer on Operation PALADIN where he was appointed Chief Operations Officer on the Golan Heights, Syria, and in 2002 he commanded an independent ground based air defence troop deployed to the

Northern Arabian Gulf in support of Coalition maritime interdiction operations.

Lieutenant Colonel Shillabeer is a graduate of the United States Army Command and General Staff College and holds a Master of Arts majoring in Strategy and Management from the University of New South Wales.

Lieutenant Colonel Shillabeer and his wife Kerry have two children, Ethan (15) and Erin (13). They enjoy travelling, history, food and wine, and continue to participate in a variety of outdoor activities.

**AUSTRALIA DAY
MEDALLIONS 2017**

Awarded in Regiments

**8th/12th Regiment RAA
Sergeant MP Reibelt (RAAOC)**

**4th Regiment RAA
Lance Corporal E Brookes (RAAOC)**

**4th Regiment RAA
Craftsman D Gunston (RAEME)**

**School of Artillery (CATC)
Sergeant C Haire (RAA)**

New Regimental Sergeant Major

WARRANT OFFICER CLASS ONE DAVID NUTINI

20th Surveillance & Target Acquisition Regiment



Warrant Officer Class One David Nutini was born and educated in Perth, Western Australia. He enlisted into the Australian Regular Army in 1987 and following Recruit Training was allocated to the Royal Regiment of Australian Artillery.

On completion of Initial Employment Training he was posted to ‘A’ Field Battery, 8th/12th Medium Regiment where he served as a Gun Number from the rank of Gunner to Sergeant.

In 1998, he was posted to the Parachute Training School, as a Parachute Jump Instructor. During this time he was detached to Exercise Long Look with the Parachute Regiment Free Fall Display Team.

In January 2002 he was posted back to ‘A’ Field Battery, 4th Field Regiment as the Operator Command Post Sergeant and in 2004 he was promoted and appointed as the Battery Guide at ‘A’ Field Battery.

Warrant Officer Nutini was then posted back to the Parachute Training School in 2005 as the Warrant Officer Free Fall and Wing Sergeant Major, Training Wing. In 2009 he was posted the 1st Regiment RAA as the Battery Sergeant Major, 105th Medium Battery and ‘A’ Battery. In 2012 he was posted to the 3rd Light Battery, 11th/28th Battalion, the Royal Western Australia Regiment, as the Sergeant Major Instructor Gunnery.

He was promoted to Warrant Officer Class One in January 2014 commencing his first appointment as the Regimental Sergeant Major

of the Parachute Training School, Special Operations Command.

In April 2006 he was appointed as the Regimental Sergeant Major Task Group Afghanistan, and in January 2017 took up the appointment of the Regimental Sergeant Major 20th Surveillance and Target Acquisition Regiment.

In 2005 he was awarded the Land Command Silver Commendation for enhancing operational capability at ‘A’ Field Battery and in 2008 he was awarded the Commander Training Command Bronze Commendation, for enhancing the parachute capability within the ADF. As a member of MTF-1, he was awarded the Meritorious Unit Citation in 2011.

Warrant Officer Nutini is married to Rebecca and has three children. He is a keen motorcyclist and also enjoys sports parachuting, AFL, camping and fishing.

SOLDIERS MEDALLION

Craftsman Jackson HICKMAN, JPEU

Bombardier Sean BRADOW, 8/12 Regt

Lance Corporal Jessica HURRELL, 8/12 Regt

Bombardier Daniel STAVES, 20 STA Regt

Corporal John SMITH, 20 STA Regt

Craftsman Norm BURNS, 20 STA Regt

Gunner Morgan HAIG, 5/11 Lt Bty

Lance Corporal Daniel JELLEY, 2/10 Lt Bty

Corporal Cameron NORMAN, 16 ALR

Corporal Vincent ROBERTSON, 16 ALR

First RAA Appointments

Royal Military College – Australia

Regimental Officer Basic Course

| <i>Rank</i> | <i>Name</i> | <i>Unit</i> |
|-------------|----------------------|-------------|
| LT | Other-Gee, Adam | 16 ALR |
| LT | Grigg, Edward | 16 ALR |
| LT | Madden, Luke | 16 ALR |
| LT | Green, Sebastian | 16 ALR |
| LT | Whitton, Larissa | 16 ALR |
| LT | Storm, Bradley | 16 ALR |
| LT | Buckland, Nicholas | 1 REGT |
| LT | Dyer, Oscar | 8/12 REGT |
| LT | Harvey, James | 1 REGT |
| LT | Higgins, Wade | QUR |
| LT | Holmes, Martyn | 8/12 REGT |
| LT | Munro, Christopher | 4 REGT |
| LT | Saint, James | LTS |
| LT | Beamish, Joel | 8/12 REGT |
| LT | Furlong, Stacey | 4 REGT |
| LT | James, Declan | 1 REGT |
| LT | May, Benjamin | 8/12 REGT |
| LT | Robinson, Michael | 1 REGT |
| LT | Roksa, Danijel | 8/12 REGT |
| LT | Harrison, Nicholas | 20 STA |
| LT | Linley, Timothy | 20 STA |
| LT | Alexandrou, Nichloas | 20 STA |
| LT | Ryan, William | 20 STAT |

1st Recruit Training Battalion

Shadow 200 UAS Operator Course

| <i>Rank</i> | <i>Name</i> | <i>Unit</i> |
|-------------|---------------------------|-------------|
| GNR | Mabb, Harrison Spencer | SOARTY |
| GNR | Gibb, Ashley Drew | SOARTY |
| GNR | Farrugia, Zak | SOARTY |
| GNR | Spadaro, Michelle Ann | SOARTY |
| GNR | Loynes, David Charles R. | SOARTY |
| GNR | Eldridge, Michael James | SOARTY |
| GNR | Fressard, Scott Francis | SOARTY |
| GNR | Fidler, Olivia Ellen Rose | SOARTY |
| GNR | Sekulic, Marko | SOARTY |
| GNR | Tatham, Braydn Robert | SOARTY |
| GNR | Vanderpoel, Isaac Shawn | SOARTY |

Gunner Grade One M777A2 Course

| <i>Rank</i> | <i>Name</i> | <i>Unit</i> |
|-------------|----------------------------|-------------|
| GNR | Samuels, Christopher Aaron | 1 REGT |
| GNR | Gear, Scott Douglas | 4 REGT |
| GNR | Burns, James Alexander | 2/17NSWR |
| GNR | Jafary, Fiaz Hossain | 16 ALR |
| GNR | Knight, Matthew Terence R | TERMS |
| GNR | Bean, Samuel George | IARNO |
| GNR | Meadows, Samuel Hunter | 1 REGT |
| GNR | O'Connor, Harry Thomas | 4 REGT |
| GNR | Sewell, Jordan Joshua | 1 REGT |
| GNR | Shuttleworth, Blake Alan | ADFA |
| GNR | Panovsky, Zane | TERMS |
| GNR | Gall, Scott Ashley | 4 REGT |
| GNR | Ingeman, Jakob Dean A | 4 REGT |
| GNR | Bennett, Justin Andrew | 4 REGT |
| GNR | Perona, Gerard Haris | TERMS |
| GNR | Smith, Patrick Joseph | 1 REGT |
| GNR | Warren, Alex Thomas | IARNO |
| GNR | Gray, Karl Matthew Robert | 8/12 REGT |
| GNR | Lee, James Daniel | 4 REGT |
| GNR | Jones, Joshua Chaney | 4 REGT |
| GNR | Murray, Karl William | 8/12 REGT |
| GNR | Wilkes, James Thomas | 4 REGT |
| GNR | Lewis-Martinez, Fernando | 8/12 REGT |
| GNR | Gronum, Wouter | 1 REGT |
| GNR | Hodges, Nathan Andrew | 4 REGT |
| GNR | Topliss, Michael Lorenzo | 4 REGT |
| GNR | West, Claudia Anne | 1 REGT |
| GNR | Adams, Jackson Robert | 1 REGT |
| GNR | Baxter, James Ramon | SOARTY |
| GNR | Bridgman, Anthony Ian | 4 REGT |
| GNR | Johnston, Jack William | 8/12 REGT |
| GNR | Vardanega, Jordan | 4 REGT |
| GNR | Lim, Andrew | SOARTY |
| GNR | Lawson, Kyle John | SOARTY |
| GNR | Taele, Jan | SOARTY |
| GNR | Sellar, Lilly Jane | SOARTY |
| GNR | Blaikie, Scott Ian | SOARTY |
| GNR | Latimer, Blake Brian | SOARTY |
| GNR | Milner, Andrew Stephen V | SOARTY |
| GNR | Norton, Andrew John | SOARTY |
| GNR | Ranui-Evans, Hemi H H W | SOARTY |
| GNR | Roberts-Henson, Morgan D | SOARTY |
| GNR | Stanford, James Mitchel | SOARTY |
| GNR | Stanford, Robert Jeffrey | SOARTY |

| | | |
|-----|-----------------------------|--------|
| GNR | Thomas, Dylan | SOARTY |
| GNR | Versteegh, Joseph William | SOARTY |
| GNR | Allen, Kyrle Trevor | SOARTY |
| GNR | Burden, Scott Anthony | SOARTY |
| GNR | Findlay, Morgan Alexander G | SOARTY |
| GNR | Smith, Phoyx-Martin | SOARTY |
| GNR | Hague, Shane Simon | SOARTY |
| GNR | Johnston, Cooper Brett | 1 RTB |
| GNR | Kavanagh, Pdraig George | SOARTY |
| GNR | Miller, Andrew Trevor | 1 RTB |
| GNR | Reibelt, Jayden John | SOARTY |
| GNR | Fuller, Stephen | SOARTY |
| GNR | Gee, Sibby Galamo | SOARTY |

ACSO Basic Course

| <i>Rank</i> | <i>Name</i> | <i>Unit</i> |
|-------------|-----------------------------|-------------|
| GNR | Jong, Matthew James | 8/12 REGT |
| GNR | Godfrey, Matthew John | 4 REGT |
| GNR | Hermes, Daniel Ross | 1 REGT |
| GNR | Rivero, Ashley William | 8/12 REGT |
| GNR | O'Donnell, Daniel Thomas | 2 RAR |
| GNR | Christensen, David William | 8/12 REGT |
| GNR | Martin, Cody Fredrick | 1 REGT |
| GNR | McKeown, David Noel | 4 REGT |
| GNR | Moore, Xander Raymond W | 4 REGT |
| GNR | Eilola, Zachary Mark | 4 REGT |
| GNR | Ghirardi, Brandon Mark J | 8/12 REGT |
| GNR | Barrett, Matthew Dayson | 1 REGT |
| GNR | Finnerty, Lachlan James | 4 REGT |
| GNR | Merkel, Aaron James | 4 REGT |
| GNR | Penny, Joel Alexander | 1 REGT |
| GNR | Taylor, Clint William | 4 REGT |
| GNR | Wrangham, Jamie Leigh A | 4 REGT |
| GNR | Peters, Matthew James | 8/12 REGT |
| GNR | Thompson, Liam Maurice | 1 REGT |
| GNR | Selleck, Thomas James | 1 REGT |
| GNR | Biderman, Sagi | 1 REGT |
| GNR | Townsend, Brodi James | 1 REGT |
| GNR | Wigzell, Alexander Matthew | 8/12 REGT |
| GNR | Mitchell, Thomas Andrew | SOARTY |
| GNR | Stewart, Nathan William | SOARTY |
| GNR | Rogers, Jack Graham | SOARTY |
| GNR | Valencic, Keegan | SOARTY |
| GNR | Crapella, Emalee Louise | SOARTY |
| GNR | Wakefield, Patience Daniele | SOARTY |
| GNR | Wilson, Simon Peter | SOARTY |
| GNR | Aldrich, Michael Paul Jack | |

| | | |
|-----|---------------------------|--------|
| GNR | Bains, Laksh | SOARTY |
| GNR | McCallum, Mitchell Robert | SOARTY |
| GNR | Nerosa, Edelyn | SOARTY |
| GNR | Pickering, Brad Martin | SOARTY |
| GNR | Thompson, Zachary David | SOARTY |
| GNR | Angove, Hannah Rose | SOARTY |
| GNR | Bohmer, Jacob William | SOARTY |
| GNR | Gallagher, Jaiden Adam | SOARTY |
| GNR | King, Marcus James Alfred | SOARTY |
| GNR | Sheehan, Daniel Michael | SOARTY |
| GNR | Kennedy, Blake James | SOARTY |
| GNR | Snedden, Travis David | SOARTY |
| GNR | McCarthy, Mitchell Connor | SOARTY |
| GNR | White, Jordan Dean | SOARTY |

Joint Fire Team (Basic) Course

| <i>Rank</i> | <i>Name</i> | <i>Unit</i> |
|-------------|----------------------------|-------------|
| GNR | Wright, Callum Michael | 4 REGT |
| GNR | Hart, Thomas Keith | 8/12 REGT |
| GNR | Moszko, Samuel Stephen W | 1 REGT |
| GNR | Fryar, Timothy Douglas | 4 REGT |
| GNR | Schneider, Kieran Connor | 1 REGT |
| GNR | Neumann, Joshua Rhys | 4 REGT |
| GNR | Shultz, Marcus Anfernee | 1 REGT |
| GNR | Staff, Tory Leigh | 8/12 REGT |
| GNR | Boxsell, Ayden Thomas | 4 REGT |
| GNR | Ridley, Scott Maxwell | SOARTY |
| GNR | Nolan, Jarvis Patrick | 1 REGT |
| GNR | Farrier, Hayden Scott | SOARTY |
| GNR | Ashton, Daniel Grey Ronald | SOARTY |
| GNR | Newlove, Josh Reuben | SOARTY |
| GNR | Smith, Flynn Anthony | SOARTY |
| GNR | Gross, Owen David | SOARTY |
| GNR | Howe, Harley Edward | SOARTY |
| GNR | Granados, Blake Miles | SOARTY |
| GNR | Keogh, Rex Peter | SOARTY |
| GNR | Allen, Jack William Henry | SOARTY |
| GNR | Pyle, James William | SOARTY |
| GNR | Reudavey, Alec Jones | SOARTY |
| GNR | Smith, Tommy | SOARTY |
| GNR | Weir, Robbie Patrick | SOARTY |
| GNR | Wren, Thomas James | 1 RTB |
| GNR | Register, Joel William | SOARTY |

Operator AMDS Course

| <i>Rank</i> | <i>Name</i> | <i>Unit</i> |
|-------------|----------------------------|-------------|
| GNR | Drewett, Garth Martyn | 16 ALR |
| GNR | Anchor, Nicholas Robert | 10/27RSAR |
| GNR | Deans, Latham Kane D | TERMS |
| GNR | Howieson, Campbell Luke | 16 ALR |
| GNR | Nona, Michael Nabea | 16 ALR |
| GNR | Yates, Mitchell Tyler | 16 ALR |
| GNR | Woollatt, Matthew James | 16 ALR |
| GNR | Smith, Matthew Neil | 16 ALR |
| GNR | Guthrie, Benjamin John | 16 ALR |
| GNR | Russo, Samuel Derrick | 16 ALR |
| GNR | Razae, Waqar Haidar | 16 ALR |
| GNR | Donellan, James Philip | 16 ALR |
| GNR | Jafary, Fiaz Hossain | 16 ALR |
| GNR | Hackenberg, Paul Anthony | 16 ALR |
| GNR | Baker, Cameron James | 16 ALR |
| GNR | McGrechan, Adrian Patrick | 16 ALR |
| GNR | Nulley, Nathan John | 16 ALR |
| GNR | Pullinger, Douglas Phillip | 16 ALR |
| GNR | Shrimpton, Riley Liam | 16 ALR |
| GNR | Solano, Benjamin | 16 ALR |
| GNR | Pullen, Samuel Charles | 16 ALR |
| GNR | Ross, Bianca Clare | 16 ALR |
| GNR | Doley, Paul Michael G | 16 ALR |

Lateral Transfers

The Regiment also welcomes Sergeant DT Devlin and Bombardier IR Evans who have recently transferred from the Royal Artillery to continue their careers with the Royal Regiment here in Australia.

Miscellaneous Promotions & Appointments

The Head of Regiment congratulates on behalf of everyone the following warrant officers who were promoted to warrant office class one in January 2017 and appointed as Master Gunners:

- Warrant Officer Class One Michael Joseph Kelly – MG School of Artillery;
- Warrant Officer Class One Paul Robert Boswell – MG 1st Regiment RAA; and

- Warrant Officer Class One Kym Nathan Fox – MG 20th Surveillance & Target Acquisition Regiment.

RAA Command & RSM Appointments - 2018

The Chief of Army has selected and was pleased to announce the following Commanding Officer and RSM appointments:

- Lieutenant Colonel PB (Paul) Duncan – 4th Regiment RAA;
- Lieutenant Colonel LF (Lachlan) Searle – 9th Regiment RAA;
- Lieutenant Colonel RL (Rod) Lang – 20th Surveillance & Target Acquisition Regiment; and
- Lieutenant Colonel N (Nick) Wilson – School of Artillery.
- Warrant Officer Class One DR (David) Lehr – 1st Division (Tier C);
- Warrant Officer Class One MI (Mick) Johnson – 2nd Division (Tier C);
- Warrant Officer Class One TL (Tony) Kennedy – 7th Brigade (Tier B);
- Warrant Officer Class One AM (Tony) Hortle OAM – Royal Military College – Australia (Tier B);
- Warrant Officer Class One N (Nathan) Cole – 4th Regiment RAA (Tier A);
- Warrant Officer Class One PR (Paul) Boswell – 8th/12th Regiment RAA (Tier A);
- Warrant Officer Class One JR (Jamie) Cornwall – 16th Air Land Regiment; and
- Warrant Officer Class One SJ (Stephen) Schuman – School of Artillery.

RAA Sub Unit Command appointments – 2018

The Army Sub Unit PAC was held in May and the following officers were successful in being selected for Battery Command appointments in 2018:

- Captain Tim Boldeman - ‘A’ Battery, 1st Regiment RAA;
- Captain Adam Murcott – 105th Battery, 1st Regiment RAA;
- Captain Colin Soane – 107th Battery, 4th Regiment RAA
- Captain Simon Frewin – 109th Battery, 4th Regiment RAA;

- Captain Max Williams – 101st Battery, 8th/12th Regiment RAA
- Major Graham Cummings – 103rd Battery 8th/12th Regiment RAA
- Major Lachlan Window – 53rd Battery, School of Artillery;
- Captain Jeremy Satchell – 110th Battery, 16th Air Land Regiment; and
- Captain Alexandra McDonald – 131st Battery, 20th Surveillance & Target Acquisition Regiment.

Battery Sergeant Majors Appointments - 2018

- Warrant Officer Class Two Matthew Roger Dawson – 1st Regiment RAA
- Warrant Officer Class Two Bryce James Watson – 1st Regiment RAA
- Warrant Officer Class Two Luke Graeme Burgess – 4th Regiment RAA
- Warrant Officer Class Two Graeme James Parker – 4th Regiment RAA
- Warrant Officer Class Two Daniel Stevan Stewart – 4th Regiment RAA
- Warrant Officer Class Two Benjamin Anthony Brown – 8th/12th Regiment RAA
- Warrant Officer Class Two Maurice Richard Hall – 8th/12th Regiment RAA
- Warrant Officer Class Two Scott John Chivers – 16th Air Land Regiment
- Warrant Officer Class Two Peter James Hesketh – 16th Air Land Regiment
- Warrant Officer Class Two Allan Murdoch Henry – 16th Air Land Regiment
- Warrant Officer Class Two Kevin Brian Jones – School of Artillery (SSMIG)

**THE RAA
(GUNNERS')
FUND**

**Annual Regimental
Badge Draw**

1st August 2016

The RAA Financial Plan states that 10% of subscriptions raised in the previous twelve months are to be allocated to prizes as follows:

- **1st Prize -5%**
- **2nd Prize - 3%**
- **3rd Prize - 2%**

In the year to 1st August 2016, \$5,940 was raised from subscriptions from 152 members.

The badge draw was conducted on 9th August and the prizes awarded to:

- GNR JP Murfitt (8/12 Regt) - \$297
- GNR AW Hampton (20 STA Regt) - \$ 178
- BDR BP Beach (20 STA Regt) - \$119



BIG SKY PUBLISHING

Incentive Prize

Big Sky Publishing provides Head of Regiment & the Regimental Committee incentive prizes to encourage individuals to contribute to the Liaison Letter. The prize(s) are awarded by the Editor.

I am pleased to announce the prize for this edition is awarded to Captain Jacob Beale from the DJFHQ JFECC at Headquarters 1st Division.

He will receive a copy of 'Allenby's Gunners: Artillery in the Sinai & Palestine Campaigns 1916 - 1918' by Alan H Smith for his professional paper on 'Artillery Tactical Tasks'.

I look forward to receiving more quality contribution from across the Regiment for future editions.

I would like to acknowledge and thank Big Sky Publishing for their continuing support and encourage readers, especially those interested in Australian Military history to visit www.bigskypublishing.com.au or the military section of your local bookshop.

Practice Makes Perfect

Sgt Dave Morley

Army, *The Soldiers' Newspaper*, June 1, 2017



Bdr Nick Latham, of 1RTB, is carried by fellow soldiers to receive the Champion Shot of the Army award

Proving the adage 'practice makes perfect', 1RTB recruit instructor Bdr Nick Latham walked away from his fourth AASAM competition with the title of Champion Shot of the Army.

Bdr Latham, who came fifth domestically and 29th internationally last year, said taking out first place was a "little bit of a surprise".

"There have been some slight modifications and changes with the way they handle these shoots, which might have worked in my favour a bit," he said.

"This is my fourth year in a row and I'm definitely looking forward to coming back next year, although it'll be a fight to achieve a better result than I've got now.

"I reckon I could have done better if I'd had more lead-up time but, being posted to Kapooka, it's always pretty hard to find time for lead-up training.

"In terms of that, though, I think I've done the best I could to prepare myself once arriving here."

Bdr Latham said he enjoyed coming back to AASAM and reuniting with the teams.

"It's always good to meet the shooters from the 20 or so countries competing, not to mention the current weapon systems they're employing, and to see their combat tactics," he said.

"I'm happy with how the competition was run, although it can be challenging at times, especially when it comes to the international competitions and the language barriers.

"The staff are always good and handy, so it was a good competition."

Associations & Organisations

RAA Regimental Fund

SO2 HOR School of Artillery
Bridges Barracks, Puckapunyal, VIC 3662
Phone: (03) 5735 6267
Mob: 0407 140 036
Email: gary.down@defence.gov.au

RAA Historical Company

P O Box 171 Cremorne Junction, NSW 2090
Phone: (02) 9908 4618

Web: <http://www.artilleryhistory.org>

[See Membership Form in Cannonball]

CANNONBALL (OFFICIAL JOURNAL)

AIRBURST (ELECTRONIC NEWS LETTER)

Australian Army Artillery Museum & Artillery Display Puckapunyal

Peter Armstrong, Curator
Australian Army Artillery Museum
Albury Wodonga Military Area
Gaza Ridge Barracks
South Bandiana, VIC 3694
Mob: 0407 469 018
Email: peter.armstrong1@defence.gov.au

Major Colin Wardrop, Manager
Email: colinwardrop@bigpond.com
Mob: 0409 505 649

BATTERY GUIDE (NEWSLETTER)

RAA Historical Society WA (Inc)

President - Bruce Campbell
Phone: (08) 9221 2494 (Bus)

Secretary - Stan Davies
P O Box 881, Claremont, WA 6910
Mob: 0418 903 722
Email: info@artillerywa.org.au
Web: www.artillerywa.org.au

TAKE POST (QUARTERLY NEWSLETTER)

4 Field Regiment (Vietnam) Association

Peter Bruce
P O Box 293, Lake Cathie, NSW 2445
Phone: (02) 6585 7342
Mob: 0419 349 317
Email: pjbruce8@bigpond.net.au

7 Field Regiment Association

President - Captain Steve Flower

Secretary - John Balfour OAM
Email: jba30607@bigpond.net.au
Mob: 0418 412 354
Correspondence to: P O Box 206, Frenchs
Forest, NSW 2086
Web: 7fd-regt-raa-association.com

10 Medium Regiment Association Inc

President - Bev Lancaster
Mob: 0409 936264
Secretary - Glenn Rabbas
133 Roseneath Street, North Geelong, VIC 3215
Email: rabrad@optusnet.com.au
Web: www.10mdmraa.org.au
THE BIG GUN (NEWSLETTER)

12 Field Regiment (Vietnam) Association

President - Graham Floyd
Email: Flood.Jude@bigpond.com
Vice President - Neil Mangels
Email: nma77081@bigpond.net.au
Secretary - Trevor Bryant
28 Ironbark Avenue, Flagstaff Hill, SA 5159
Phone: (08) 82707130
Email: tandjbryant@bigpond.com

23 Field Regiment Association

Secretary - Peter Merlino
63 Penshurst Road, Penshurst, NSW 2222
Phone: (02) 9570 2776
Email: the23fdassoc@yahoo.com.au
Web: www.23fd-regt-raa-association.org

A Field Battery Association Inc

President / Secretary - Ron (Tex) Bassan
6 Harveys Road, Beaconsfield, QLD 4740
Phone: (07) 4942 5433
Email: texbassan@yahoo.com.au

A FIELD BATTERY NATIONAL NEWSLETTER

Editor - Ron (Butch) Slaughter
6/8 St Ives Drive, Robina, QLD 4226
Phone: (07) 5562 5115
Email: ronbutchslaughter@hotmail.com
Web: <http://afdbty.australianartilleryassociation.com/>

101 Battery

Secretary - Bill Telfer
Email: wjctelfer@gmail.com
Web:
www.homepage.powerup.com.au/~assoc101btv

101 Battery (Malaya 1959-1961)

President - Don McDonald

Secretary- David Troedel
57 Drummond Street, Rangeville, QLD 4350
Phone: (07) 4637 8774
Email: davidpat@bigpond.net.au

102 Battery

Don Tait
Mob: 0419 287 292
Email: dmt63@ozemail.com.au

Ian Ahearn
Mob: 0417 691 741
Email: Ahearn.ian@optusnet.com.au

103 Battery

Doug Heazlewood
4 Lineda Court, Warrnambool, VIC 3280
Phone: (03) 5561 4370

104 Battery

Frank Corcoran JP
PO Box 85, Hampton, VIC 3188
Mob: 0400 113 929
Email: corcorf@bigpond.net.au

GERM JOURNAL (NEWSLETTER)

105 Battery

President - Jim Box
Phone: (07) 3396 1770
Mob: 0411 758 433
Email: jimbox@roomtorun.com.au

Secretary - Greg West RFD, ED
14 Marral Street, The Gap, QLD 4061
Phone: (07) 3300 5303
Email: gwest105@optusnet.com.au

TIGER RAG (NEWSLETTER)

Editor - Arthur Burke OAM
P O Box 391, Aspley, QLD 4034
Phone & Fax: (07) 3263 6025
Email: arthurburke@bigpond.com
Web: <http://www.105bty.asn.au/>

106 Battery

Rob Gowling
Unit 2, 20 Barkly Street,
Mordiallic, VIC 3195
Phone: (03) 9587 8391
Email: bomma66@bigpond.com

107 Battery

President - Warren D. Feakes
Phone: (02) 6231 8369
Mob: 0417 209 360
Email: wfeakes@netspeed.com.au

Secretary/Treasurer - Hilton Lenard
Mob: 0418 695 345
Email: hiltonlenard@hotmail.com
Correspondence to: 107 Field Battery
RAA Association,
P O Box 199, Erindale, ACT 2903

RAM - RAMBLINGS (NEWSLETTER)

Editor - Warren D. Feakes
Email: wfeakes@netspeed.com.au
Web: www.107fdbty.com

108 Battery

John Wells
P O Box 407, Beaconsfield, VIC
Phone: (03) 5944 3157 (H)
Email: john.wells8@bigpond.com

THE JOURNAL WITH NO NAME (NEWSLETTER)

RAA Association (QLD) Inc

President - Colonel Vern Mullins RFD ED

Secretary - Lieutenant Colonel Ron West
P O Box 174, Lutwyche, QLD 4030
Mob: 0408 073 944
Email: qld.gunline@gmail.com
Web: <http://www.artilleryqld.com.au/>

GUNLINE (NEWSLETTER)

**RAA Association (NTH QLD)
(Gunnery North Queensland)**

Secretary – Brett Armstrong
Email: blarms1@hotmail.com

GUNNERS GOSSIP (NEWSLETTER)

RAA Association (NSW) Inc

President - Lieutenant Colonel Alain Dunand
Mob: 0439 805 452
Email: president@artillerynsw.asn.au

Secretary - Michael Carrodus
G P O Box 576, Sydney, NSW 2001
Email: secretary@artillerynsw.asn.au

GUNFIRE (MAGAZINE)

Editor - P O Box W1034,
West Cessnock, NSW 2325
Phone: (02) 4990 8560
Mob: 0417 680 617
Email: editor.gunfire@optusnet.com.au
Website: www.artillerynsw.asn.au

RAA Association (ACT)

President - Colonel Sean Ryan
Mob: 0421 074 327
Email: sean.ryan@defence.gov.au

SHOT OVER (NEWSLETTER)

RAA Association (VIC) Inc

President - Major N. Hamer RFD
Phone: (03) 9702 2100
Email: nhamer@bigpond.net.au

Secretary - Colonel Jason Cooke
Phone: (03) 9282 6900
Mob: 0409 043 165
Email: jason.cooke@defence.gov.au

CASCABEL (MAGAZINE)

Editor - Alan Halbish,
115 Kearney Drive,
Aspendale Gardens, VIC 3195
Phone: (03) 9587 1676
Email: alan.halbish@bigpond.com
Web: www.artilleryvic.org.au

RAA Association (SA)

President - Geoff Laurie
12 Chatsworth Grove,
Toorak Gardens, SA 5065
Phone: (08) 8332 4485
Email: raaassocsa@gmail.com

RAA Association (NT) Inc

President - Jeff Dunn OAM

Vice-president - Trevor Smith OAM
Mob: 0408 033 380

Secretary – Adrienne Messer
Email: raaant.secretary@outlook.com

Treasurer John Johnston
Mob: 0419 836 669
PO Box 12757, George Street
Brisbane QLD 4003
Email: jrj5076@bigpond.net.au

Darwin Military Museum Manager
Norman Cramp
GPO box 3220, Darwin NT 0801
Phone: (08) 8981 9702
Email: info@darwinmilitarymuseum.com.au
Web: www.darwinmilitarymuseum.com.au

REVEILLE (ELECTRONIC NEWSLETTER)

RAA Association (WA) Inc

President - Lieutenant Colonel R.B. Farrelly
RFD
Phone: (08) 6488 3223 (Bus)
Mob: 0417 981 615
Vice-president - Major P.J. Mahoney RFD
Phone: (08) 9268 8072 Mob: 0428 198 707

Secretary - Major J. Blylevens RFD
P O Box 881, Claremont, WA 6910
Phone: (08) 9461 6001 (bus)
Mob: 0438 695 711
Email: info@artillerywa.org.au
Web: www.artillerywa.org.au

ARTILLERY WA (ON-LINE NEWSLETTER)

RAA Association (TAS) Inc

President - Major Graeme Howard
Honorary Secretary - Steven Cathcart
610 Carlton River Road
CARLTON RIVER TAS 7173
Email: Steven.Cathcart@Stategrowth.tas.gov.au
Web: www.tasartillery.com

THE ARTILLERY NEWS (NEWSLETTER)

Editor - Mrs Janet Stewart
11 Anson Street, Weaverley, TAS 7250
Email: jst59804@bigpond.net.au
Phone: (03) 6339 2450

Australian Air Defence Association Inc.

President - Dave Spain
Email: president@aadaa.asn.au
Mob: 0434 471 593

Secretary - Michael Streets
AADAA, P O Box 2024,
Red Cliff North, QLD, 4020
Email: secretary@aadaa.asn.au
Mob: 0437 008 569
Web: <http://aadaa.asn.au>

Locating Surveillance & Target Acquisition Association

President - Major Joe Kaplun OAM, CMC, JP
6 Apex Ave, Picnic Point, NSW 2213
Phone: (02) 9774 1471
Mob: 040774 1473
Email: joekaplun@optusnet.com.au

Vice President - LTCOL Phil Swinsberg
Phone: (07) 3353 5210
Mob: 0425 000 370

Secretary - Bob Morrison
Phone: (02) 4861 6463
Mob: 0417 447 504
Email: robmor@ozemail.com.au
Email: info@locatingartillery.org
Website: www.locatingartillery.org

LOCREP (NEWSLETTER)

Editor - Major Allan Harrison (see above)

131 Locators Association Inc

EYES & EARS (NEWSLETTER)
Editor - Paul Dickson
Email: three-zero@hotmail.com

18 Light Anti-Aircraft Regiment Association

Secretary - Paul Hornby
4/23-25 June Place, Gympie Bay NSW 2227
Phone: (02) 9526 5769
Email: sec.181aa@yahoo.com

9 HAA/LAA Regiments Association

President - Phil Easton
29 Michael Crescent, Kiama, NSW 2533
Phone: (02) 4237 6087
Email: pjeaston@westnet.com.au

13 Battery Association Inc

President - Paul Scarborough
Mob: 0418 872 324
Email: paulscarborough@bigpond.com
Secretary - John Parnell

13 BTY ASSOC INC SITREP (NEWSLETTER)

41 Battery/11 Field Regiment RAA Association Inc

President - Graeme Fitzpatrick
25 Manakin Ave, Burleigh Waters QLD 4220
Phone: (07) 5535 1211 (H)
Email: 41btassn@gmail.com

GUNNER EAR (NEWSLETTER)

Fort Lytton Historical Association (QLD) Inc

President - Maurice McGuire, OAM
P O Box 293, Wynnum QLD 4178
Phone: (07) 3399 3198
Email: flhaguides@gmail.com
Website: www.fortlytton.net.au

'THE CUSTODIAN' (NEWSLETTER)

Editor - Harry Lynas

Fort Scratchley Historical Society

Web: www.fortscratchley.org.au

Royal Artillery

Web: www.army.mod.uk/artillery/artillery.aspx

Royal Artillery Association

Web: www.theraa.co.uk

Key RAA Associations & Organisations

'Australian Artillery Association'

Website

www.australianartilleryassociation.com

Email

president@australianartilleryassociation.com

'Royal Australian Artillery Historical Company'

Website

www.artilleryhistory.org

Email

raahcoffice@gmail.com

RAA (GUNNERS FUND)**REGULAR/PERIODIC SUBSCRIBERS***as at 1st June 2017**(Note: Rank as listed when joined fund)*

| | | |
|---------------------|--------------------|-------------------|
| MAJGEN DP Coghlan | CAPT NS Clark | LT NC Harrison |
| BRIG CD Furini | CAPT CC D'Aquino | LT LP Hurley |
| COL DM Edwards | CAPT EA Dempster | LT DJ James |
| COL NJ Foxall | CAPT NW Dickeson | LT TM Linley |
| COL DJ Hill | CAPT S Frewin | LT JJ Lynch |
| COL MRC Kennedy | CAPT TAH Gommers | LT LJ Madden |
| LTCOL RJ Alsworth | CAPT BD Green | LT A Martin |
| LTCOL RJ Crawford | CAPT KR Handreck | LT BJ May |
| LTCOL SA Jenkins | CAPT NP Mahr | LT SN McBride |
| LTCOL NC Laughton | CAPT L McDonald | LT SA McLean |
| LTCOL MKL Mankowski | CAPT BJ Perkins | LT CN Munro |
| LTCOL AJ Payne | CAPT CJ Pitman | LT DL Nicolle |
| LTCOL CJ Shillabeer | CAPT GM Potter | LT LO O'Keeffe |
| LTCOL JJ West | CHAP PD Price | LT SG O'Neal |
| MAJ SM Armstrong | CAPT TD Radford | LT AJ Other-Gee |
| MAJ JLF Batayola | CAPT AL Ridgeway | LT MJ Robinson |
| MAJ ST Bryden | CAPT JW Satchell | LT DI Roksa |
| MAJ JP Casey | CAPT ME Seabrook | LT PA Ruggeri |
| MAJ R Chetty | CAPT ET Smith | LT WC Ryan |
| MAJ MJ Cook | CAPT KJ Smith | LT MBJ Smit |
| MAJ WG Cooper | CAPT JH Stanhope | LT AK Stokes |
| MAJ P Cosgrove | CAPT BC Watson | LT BJ Storm |
| MAJ JM Costello | CAPT SW Watts | LT N Waugh |
| MAJ GM Down | CAPT N Wells | LT L Whitton |
| MAJ TS Drew | CAPT BJ White | LT AJ Toms |
| MAJ DA Filmer | CAPT MA Williams | WO1 SD Carmichael |
| MAJ MJ Finnerty | CAPT NJ Woodhams | WO1 N Cole |
| MAJ BC Gray | LT NA Alexandrou | WO1 MS Dewar |
| MAJ WL Harvey | LT JG Beamish | WO1 DR Grundell |
| MAJ AR McDonell | LT NJ Buckland | WO1 AM Hortle |
| MAJ R O'Donnell | LT JW Chambers | WO1 MM Humphrey |
| MAJ JM Roberts | LT JB Childs | WO1 JG Jarvis |
| MAJ JL Ronayne | LT IR Cowley | WO1 MJ Kelly |
| MAJ C Sandner | LT HF Dudley-Warde | WO1 TL Kennedy |
| MAJ DK Silverstone | LT JA Duff | WO1 DP Lindsay |
| MAJ P Spencer | LT OL Dyer | WO1 D McGarry |
| MAJ A Wendt | LT ER Ellis | WO1 JA Quinn |
| MAJ AM White | LT SE Furlong | WO1 S Schuman |
| MAJ JP Wiles | LT DP Gillam | WO1 DJ Sinclair |
| CAPT RI Best | LT BGY Gordon | WO1 MJ Sullivan |
| CAPT FE Bruce | LT SG Green | WO2 JP Bourke |
| | LT EJ Grigg | WO2 M Broughton |

WO2 BB Bushell
WO2 MJ Castek
WO2 BM Colles
WO2 AG Fleming
WO2 MP Fountain
WO2 CP Grant
WO2 AJ Hamilton
WO2 JA Hill
WO2 AA Jensen
WO2 SJD Jolley
WO2 R Leversha
WO2 RJ Mackereth
WO2 JR Millington
WO2 MR Morante
WO2 NL Murphy
WO2 GD O'Connell
WO2 T Organ
WO2 RA Partridge
WO2 SD Potter
WO2 SA Regal
WO2 M Rogan
WO2 SA Russell
WO2 DS Stewart
WO2 BJ Watson
WO2 JT Wilson
WO2 S Wilson
WO2 CN Woodhall

SGT RW Archer
SGT AJ Buzescu
SGT NR Corradetti
SGT MS Dutton
SGT MM Farrell
SGT CJ Haire
SGT SJ Haywood
SGT MR Krek
SGT C Saetta
SGT AF Scott
SGT AJ Shilton

BDR DS Allen
BDR AM Bamford
BDR BP Beach
BDR JK Brennan
BDR GM Clark
BDR JT Elms
BDR ECR George
BDR RJ Gould
BDR JR Hodge
BDR PA Inger
BDR R McCaig

BDR LE McKenna
BDR MT O'Connor
BDR DM Thornell
BDR JM Walsh

LBDR SJ Ayris
LBDR BE Elford
LBDR PF Fiannaca
LBDR SM Flindall
LBDR CG Gibb
LBDR MD Jackson
LBDR BS Love
LBDR TJ Muhamad
LBDR Y Nasralla
LBDR TL Nuttall
LBDR NE Russell
LBDR BL Stevenson
LBDR T Stewart
LBDR BK Taylor
LBDR JL Whitby

GNR BR Abaijah-Griffin
GNR JA Aitchison
GNR TR Batchelor
GNR WD Blanck
GNR LD Brown
GNR RP Brown
GNR JN Bullock
GNR TW Champion
GNR NJ Carr
GNR SKL Chaplin
GNR AJC Clapton
GNR FB De Nardi
GNR AP Gatty
GNR NS Gill
GNR KM Gray
GNR AW Hampton
GNR NA Hodges
GNR JW Johnston
GNR KJ Lawson
GNR AP Lee
GNR JD Lee
GNR TM Lewis
GNR JL Logan
GNR HJ Lowth
GNR NJ Mackay
GNR JP Maguire
GNR CAE Martinez
GNR KW Murray
GNR ES Noble
GNR MA Parsons

GNR CZ Rasmussen
GNR AW Rivero
GNR TA Rowe
GNR BR Sills
GNR P-M Smith
GNR LB Sonners
GNR ML Topliss
GNR J Vardanega
GNR CAE West



REGIMENTAL FUND BENEFACTORS

Correct as at 29th March 2017

| | | |
|-----------------------|----------------------------|------------------------|
| LTGEN D.M. Mueller | COL J.A.L. Fairless | LTCOL R.J. Crawford * |
| LTGEN B.A. Power | COL R.N. Gair | LTCOL C.F. Dodds |
| MAJGEN J.E. Barry | COL S.T. Goltz | LTCOL D.M. Edwards |
| MAJGEN D.P. Coghlan | COL G.C. Hay | LTCOL L.D. Ensor |
| MAJGEN M.P. Crane | COL E.D. Hirst | LTCOL E.P.M. Esmonde |
| MAJGEN P.J. Dunn | COL C.B.J. Hogan | LTCOL J. Findlay |
| MAJGEN G.P. Fogarty | COL C.H. Hunter | LTCOL N.H.B. Floyd |
| MAJGEN T.R. Ford * | COL A.G. Hutchinson | LTCOL R.J. Foster |
| MAJGEN S.N. Gower | COL D.J. Kelly | LTCOL N.J. Foxall |
| MAJGEN J.P. Stevens * | COL S.N. Kenny | LTCOL A.W. Garrad |
| MAJGEN P.B. Symon | COL W.T. Kendall | LTCOL I.D.W. George |
| BRIG M.G. Boyle | COL J.C. Kirkwood | LTCOL R.G. Gibson |
| BRIG J.R. Cox | COL P. Landford | LTCOL G. Gilbert |
| BRIG G.W. Finney * | COL P.J. Lawrence | LTCOL K.R. Hall |
| BRIG C. D. Furini | COL M.G. Lovell | LTCOL P.D. Harris |
| BRIG W.L. Goodman | COL I.A. Lynch | LTCOL M. Harvey (RNZA) |
| BRIG N.D. Graham * | COL R.M. Manton | LTCOL B.N. Hawke |
| BRIG J.G. Hughes | COL N.H. Marshall | LTCOL P.L. Hodge |
| BRIG J.A.R. Jansen | COL J.H. McDonagh (AALC) * | LTCOL S.A. Hompas |
| BRIG P.R. Kilpatrick | COL R.V. McEvoy | LTCOL B.G. Hurrell |
| BRIG R.A. Lawler | COL B.H. Mitchell | LTCOL J.R. Jauncey |
| BRIG I.G.A. MacInnis | COL R.B. Mitchell | LTCOL J.F. Kerr |
| BRIG T.J. McKenna | COL D. J. Murray | LTCOL D. Klomp |
| BRIG K.B.J. Mellor | COL R.A. Parrott | LTCOL S.F. Landherr |
| BRIG K.J. O'Brien | COL P.R. Patmore | LTCOL A. Langford |
| BRIG M.F. Paramor | COL A.T. Piercy | LTCOL B.L. Lloyd |
| BRIG D. I. Perry | COL A.A. Plant | LTCOL J.L. Macpherson |
| BRIG M.L. Phelps | COL J.C. Platt | LTCOL R. Maurice |
| BRIG S. Roach | COL G.G. Potter | LTCOL P.D. McKay |
| BRIG K.V. Rossi | COL D. Quinn | LTCOL K.W. MacKenzie |
| BRIG G.T. Salmon | COL A.W. Reynolds | LTCOL P.D. Monks |
| BRIG W.M. Silverstone | COL S.T. Ryan | LTCOL J.E. Morkham |
| BRIG G.B. Standish | COL S.M. Saddington | LTCOL S.G.T. Mott |
| BRIG B.G. Stevens | COL R.H. Stanhope | LTCOL V.M. Mullins |
| BRIG R.A. Sunderland | COL B.J. Stark | LTCOL D.M. Murphy * |
| BRIG D.J.P. Tier | COL D.M. Tait | LTCOL S.W. Nicolls |
| BRIG P.J. Tys | COL R.A. Vagg | LTCOL T.C. O'Brien |
| BRIG A.G. Warner | COL A.D. Watt * | LTCOL G.F.B. Rickards |
| BRIG V.H. Williams | COL W.A. Whyte | LTCOL D.A. Ryan |
| BRIG P.D. Winter | COL B.A. Wood | LTCOL L.F. Searle |
| COL S.P. Amor | LTCOL S.D. Aldenton | LTCOL M. Shaday |
| COL P.F. Appleton | LTCOL C.W. Andersen | LTCOL C. Taggart |
| COL B.M. Armstrong | LTCOL B.J. Armour | LTCOL W.R.C. Vickers |
| COL B.J. Bailey | LTCOL J.D. Ashton | LTCOL D.H.R. Wilton |
| COL J.F. Bertram | LTCOL R.M. Baguley | LTCOL B.J. Winsor |
| COL J.P.C. Black | LTCOL N.K. Bolton | MAJ A.J. Balsillie * |
| COL R.V. Brown | LTCOL J.E. Box * | MAJ W.C. Barnard |
| COL A.R. Burke * | LTCOL D.N. Brook | MAJ G.K. Bartels |
| COL D.L. Byrne | LTCOL M.A. Cameron | MAJ G.F. Berson |
| COL S.R. Carey | LTCOL J.H. Catchlove | MAJ P.E. Bertocchi |
| COL S.E. Clingan | LTCOL I.D.S. Caverswall | MAJ D.T. Brennan |
| COL F.G. Colley | LTCOL S.G. Condon | MAJ J.P. Casey |

MAJ P. Cimbaljevic
MAJ C.T. Connolly
MAJ I.K. Cossart
MAJ J.M. Costello
MAJ S. Denner
MAJ P.K. Dover
MAJ M. Dutton
MAJ M.J. Finnerty
MAJ C.A. Flear
MAJ A.O. Fleming
MAJ W.J. Francis
MAJ T.J. Gibbings
MAJ W.H. Grimes
MAJ J.M. Groves
MAJ N. Hamer
MAJ P. Harris
MAJ M.R. Hartas
MAJ L.P. Hindmarsh
MAJ M.S. Hodda
MAJ D.A. Jenkins
MAJ I. Jeong
MAJ G. Johns
MAJ D.E. Jones
MAJ J. Kaplun
MAJ J.B. Kelly
MAJ J.A. King
MAJ M.D. Laurence
MAJ H. Lenard
MAJ A.M. Ludlow
MAJ R.S. McDonagh
MAJ A.R. McDonell
MAJ G.D. Metcalf *
MAJ M.W. Middleton
MAJ G.K. Milic
MAJ D.R. Morgan
MAJ S.R. Nebauer
MAJ D.T. O'Brien
MAJ L.W.L. Partridge
MAJ P.J. Prewett
MAJ V.J. Rae
MAJ S.G. Rohan-Jones
MAJ W.A. Ritchie
MAJ P.S. Richards
MAJ K.F. Schoene
MAJ L.J. Simmons
MAJ A.H. Smith *
MAJ P.W. Spencer
MAJ M.C. Squire
MAJ A.E.R. Straume
MAJ M. Taggart
MAJ W. Tapp
MAJ J.D. Thornton
MAJ A.C. Turner
MAJ M.L. Van Tilburg
MAJ T.W. Vercoe
MAJ M. St C. Walton
MAJ C.V. Wardrop

MAJ P.J. Watkins
MAJ P.R. Widelewski
CAPT M.A. Pasteur (AAAvn)
CAPT P.J. Smith
CAPT P. Wertheimer
LT J.F. Henry
LT S.L. Shepherd
WO1 D.G. Annett
WO1 D.W. Bowman
WO1 K.J. Browning *
WO1 L.A. Cooper
WO1 B.A. Franklin
WO1 E. Harkin
WO1 G.A. Jebb
WO1 M.I. Johnson
WO1 M.A. Johnston
WO1 T.L. Kennedy
WO1 D.R. Lehr
WO1 P.A. Matthyssen
WO1 D.J. Sinclair
WO1 B.J. Stafford
WO1 R.J. Thompson
WO1 M. Vandyke⁺
WO1 P.T. Washford
WO1 C.F.J. Watego
WO1 G.J. Webster
WO2 D. Bannerman
WO2 M. Broughton
WO2 P. Carthew
WO2 M.R. Dawson
WO2 R.T.B. Hay
WO2 J.J. Hennessy
WO2 D.G. Ogden *
WO2 A. Pavlovich
WO2 R.N. Skelton
SSGT R.W. Morrell
SSGT E.J. Paddon
SGT J. Nield
SGT G.V. Saint
SGT D.H. Wood
Mr N. Fox
Mr C.J. Jobson
Mr B.C. Kyrwood
Mr L.A. Manning
Note (See *):
COL M.C. Crawford, COL E.D. Hirst, MAJ A.J. Balsillie and MAJ A.H. Smith have paid three life subscriptions
LTGEN B.A. Power, MAJGEN T.R. Ford, MAJGEN J.P. Stevens, MAJGEN J.D. Stevenson, MAJGEN J. Whitelaw, BRIG G.W. Finney, BRIG R.K. Fullford, BRIG N.D. Graham, BRIG J.R. Salmon,

COL A.R. Burke, COL A.D. Watt, LTCOL J.E. Box, LTCOL J.H. McDonagh, LTCOL D.M. Murphy, LTCOL G.K. Phillips, MAJ J.B. Evans, MAJ G.D. Metcalf, WO1 K.J. Browning, M. Vandyke and WO2 D.G. Ogden have paid two life subscriptions.

Associations

RAA Association (Tas)
RAA Association (Qld)
RAA Association (North Qld)
RAA Association (Vic)
RAA Association (SA)
RAA Association (NSW)
RAA Association (NSW) - Newcastle Branch
105th Field Battery Association
107 (Field) Battery Association
Fort Lytton Historical Assoc
RAA Retired Officers of South East Queensland
Australian Air Defence Artillery Association
13th Battery Association
Coast Artillery Association

Deceased Benefactors

Sir Roden Cutler
MAJGEN T.F. Cape
MAJGEN G.D. Carter
MAJGEN P. Falkland
MAJGEN R. G. Fay
MAJGEN G.J. Fitzgerald
MAJGEN J.D. Stevenson (see note)
MAJGEN J. Whitelaw⁺ (see note)
BRIG R.K. Fullford⁺ (see note)
BRIG A.G. Hanson
BRIG R.Q. Macarthur-Stranham
BRIG I.J. Meibusch
BRIG J.R. Salmon⁺ (see note)
BRIG D.D. Weir
COL M.C. Crawford⁺ (see note)
COL J.H. Humphrey
COL M.J. Kingsford
COL G.M. Salom
LTCOL R.H.E. Harvey
LTCOL P.L. Overstead
LTCOL G.K. Phillips
LTCOL G.W. Tippetts
MAJ M. Dawson
MAJ J.B. Evans (see note)
MAJ A.A. Thwaites
CAPT A.E. Sheridan
Mr K.M. Cossart

RAA GUNNERS FUND – NEEDS YOUR SUPPORT

Introduction

The RAA Gunners' Fund is designed to provide a source of funds that can be utilised for the benefit of all Gunners regardless of rank. One of the most important uses for these funds is to support requests from RAA units and organisations to assist in the ongoing preservation and promotion of Regimental heritage. Other worthy goals that the Fund supports includes, but is not limited to:

- support RAA extra-Regimental activities,
- encourage RAA Officers and Soldiers who excel in their profession,
- support activities that benefit RAA personnel, not funded by public money,
- safeguard, maintain and purchase items of RAA Regimental property,
- preserve RAA heritage and history, and
- record RAA Operational service since deployments began in the 1990s.

The Regimental Committee cannot achieve these worthy goals without the support of individual members and organisations within the Gunner community. All ranks are encouraged to make a financial contribution to the Gunners' Fund; be it fortnightly or annual contributions or by becoming a life member. Whilst a *'Life Subscription'* absolves the subscriber from being asked for any further financial contribution they are welcome to make additional contributions to further support the Royal Regiment. The list of life subscribers is published in the Liaison Letter and they receive a complimentary copy.

Recent Projects

Over the years the Gunners' Fund has supported a wide range of requests for financial support, including some of which are ongoing such as the maintenance of the AIF and Mount Schanck Trophies. It is worth noting that the sums of money requested from the Fund are generally significant and therefore can only realistically have any chance of being supported if each and every one of us contribute to the Fund. Projects supported by the Fund include the allocation of:

- \$500 to 107 Battery for 50th Anniversary celebrations;
- \$500 each to 101 Battery and 103 Battery for 100th Anniversary celebrations;

- \$2,500 to 8th/12th Medium Regiment to assist to build a Regimental Memorial to coincide with the Regiment's 30th anniversary celebrations;
- \$500 to 131st Surveillance and Target Acquisition Battery to improve the Battery memorial and add a plaque to mark the 50th Anniversary of the unit and its name change from 131st Divisional Locating Battery;
- \$1,000 to 1st Field Regiment for 50th anniversary celebrations;
- \$1,000 to 4th Field Regiment for 40th anniversary celebrations;
- \$1,500 for shield to be held by winner of Mount Schanck trophy;
- \$1,000 to 1st Field Regiment for 50th anniversary of 105th Field Battery, 50th anniversary of commitment to Malaya and 40th anniversary of commitment to South Vietnam;
- \$1,000 to complete the Major General T. Cape Bequest to the Regimental officer's mess;
- \$2,500 towards the Anti-Aircraft and Air Defence Memorial at 16th Air Land Regiment;
- \$700 for 53 Battery World War Two Battery Flag restoration and preservation;
- \$600 for Annual Gunners (RAA) Fund Badge Draw prizes;
- \$450 for Bombardier and Gunner of the Year – 2016;
- \$6000 to send the Bombardier and Gunner of the Year 2016 to the UK for professional development with the Royal School of Artillery and local artillery units;
- Presentation of a framed miniature RAA Standard with supporting service history to those who have achieved of 40 years service;
- On-going Royal Military College Graduation Artillery prize; and
- Annual Regimental Officer, Warrant Officer and Sergeant farewells.

Subscriptions – See the subscription form on the next page for details.

RAA Gunners' Fund - Subscription Form

Categories

| Rank | ARA Member | ARA Member | Reserve Member | All Members |
|-------------------|-------------------------|--------------------|--------------------|------------------------|
| | <i>Fortnightly Rate</i> | <i>Annual Rate</i> | <i>Annual Rate</i> | <i>Life Membership</i> |
| MAJ and above/WO1 | \$2.00 | \$52.00 | \$26.00 | All Ranks: \$260 |
| CAPT, WO2/SGT | \$1.50 | \$39.00 | \$19.00 | |
| LT/GNR/LBDR/BDR | \$1.00 | \$26.00 | \$13.00 | |

Payment Method

(Please tick)

- Enclosed is my/our subscription to the RAA Gunners' Fund
- Paying by **cheque**: Please return this form with a cheque made payable to 'RAA Regimental Fund' and addressed to: MAJ Gary Down, SO2 HOR, School of Artillery, Bridges Barracks, Puckapunyal VIC 3662.
- Paying via **Direct Debit**: The account details of the RAA Regimental Fund are as follows:

Financial Institution: Australian Military Bank

Account Name: RAA Gunners' Fund

BSB: 642 170

Account Number: 526805

Reference: Must include Initials and Surname and the word 'Subscription'

* **Note:** A copy of this completed subscription form is to be forwarded to MAJ G M Down (SO2 HOR) to enable the issue of an RAA key ring. Email: gary.down@defence.gov.au

PMKeyS No: _____ **Regimental No (if applicable):** _____

Rank/Initials: _____ **Unit:** _____
(BLOCK letters please)

Surname: _____
(or Alternative)

Address: _____

P/Code: _____

Email Address: _____

Telephone: _____ **Mobile:** _____

Commence Subscription Details

Amount: \$ _____

Effective Date: _____

Signature: _____ **Date:** _____



Royal Regiment of Australian Artillery **Regimental Shop**



RAA Items

- Silk ties
- RAA berets and badges
(officers and ORs)
- RAA socks
- RAA cuff links
- RAA caps

General Items

- Stubbie holders
- Polo shirts
- Sports wear (basic)

Field Equipment

- Knives and tool selection
- Alice pack frames
- Dive bags
- Hydration packs
- Jet biloers
- Goggles
- Gloves
- Torches
- Sleeping mats

For Information and Orders:
School of Artillery, Bridges Barracks

Contact Details:
Email: RAACorps.Shop@defence.gov.au



RAA berets and badges
(officers and ORs)
RAA badge \$7.00/\$10.00
RAA beret \$20.00



RAA caps \$13.00



RAA ties \$35.00



RAA scarf \$35.00



RAA cummerbund \$40.00



RAA cuff links \$20.00



RAA Polo shirts \$30.00
RAA Jumpers \$50.00



RAA socks \$10.00



Royal Regiment of Australian Artillery **Catalogue**

Contact Details:
Email: RAACorps.Shop@defence.gov.au

We Will Remember Them



Anti Aircraft & Air Defence Memorial Woodside Army Barracks, South Australia

Support the Memorial Upgrade

The Anti Aircraft and Air Defence Memorial is located at Woodside Barracks South Australia, and honours the men and woman who served with, or in support of, Air Defence Units during war and peace.

Constructed in 2009 the memorial is positioned just inside the main gate and sits proudly in front of the Regiment's flagpole. Constructed of concrete and black marble it bears the inscription "Lest we Forget" with an image emblazoned on the front depicting two Lewis gunners from the 14th Australian Anti Aircraft Battery during the defence of Darwin in February 1942. The image was taken from a famous painting by Roy Hodgkinson.

Over the years there has been some deterioration of the landscaping surrounding the memorial and the Association is embarking on a project to upgrade the area around the site.

The Association plans to pave around the memorial and border the site on three sides with a low wall. The improvements will create a place of reflection and provide sufficient space for the Regiment to mount a Catafalque party and carry out other drill during memorial services. The wall will be a convenient height to sit, rest and reflect on the deeds accomplished by our predecessors and the outer surrounds of the site will be bordered by trees that will provide some protection from the elements and give a feeling of solitude and peace.



The memorial in its current condition showing the poor state of the surrounding landscaping.



An artist's impression of the upgrade work

We need your help – we are calling on supporters to provide the funds to accomplish the upgrade. Your support will be recognised with an engraved paver and laid near the memorial. This is an exclusive and limited offer for people and organisations to contribute to the landscaping of the memorial. Due to the restricted size of the area there are only a certain amount of pavers available.

To order your paver, please complete and return the order form or visit our online store at: www.aadaa.asn.au/store.



**AUSTRALIAN AIR DEFENCE
ARTILLERY ASSOCIATION**

A BOND NEVER FORGOTTEN
www.aadaa.asn.au



We Will Remember Them

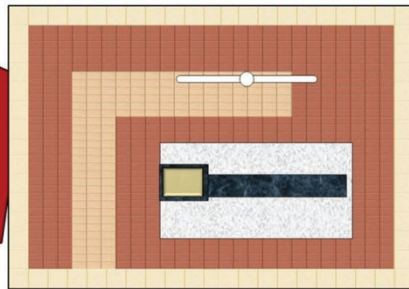


Anti Aircraft & Air Defence Memorial Woodside Army Barracks, South Australia

Make Your Mark!

Take up this exclusive and limited offer to display your pride in Air Defence.

LIMITED OFFER
Get yours before they are all taken



Rojo pavers will cover the bulk of the area, with sand pavers used to border the memorial and provide a path to the Regiment's flagpole.

Choose your preferred colour

| | |
|------|------|
| | |
| Sand | Rojo |

Refer to the layout diagram to see where the colours are used.

Single Paver
\$55.00

Have a single paver engraved as a permanent record of your service or simply name your business as a permanent record of your valued support.

3 lines of text are available, up to 16 characters per line.

Double Paver
\$105.00

Use a double paver to recognise you and your family, say a few words or make a dedication.

6 lines of text are available, up to 14 characters per line.

Large 300 x 300
\$250.00

This large 300 x 300 paver is ideal for Unit or Military logos and will border the memorial.

Please contact us to discuss your requirements.

To order your paver, please complete and return the order form or visit our online store at: www.aadaa.asn.au/store.



**AUSTRALIAN AIR DEFENCE
ARTILLERY ASSOCIATION**

A BOND NEVER FORGOTTEN
www.aadaa.asn.au





Memorial Paver Order Form

| | |
|----------|-----------------------|
| Name: | Phone: |
| Address: | State: Postcode: |
| Email: | |

SINGLE PAVER – 16 CHARACTERS PER LINE **\$55** Please indicate your colour*

Please print clearly using ALL CAPITALS.

| | | | | | | | | | | | | | | | |
|--|--|--|--|--|--|--|--|--|--|--|--|--|--|--|--|
| | | | | | | | | | | | | | | | |
| | | | | | | | | | | | | | | | |
| | | | | | | | | | | | | | | | |

DOUBLE PAVER – 14 CHARACTERS PER LINE **\$105** Please indicate your colour*

Please print clearly using ALL CAPITALS.

First Paver

| | | | | | | | | | | | | | |
|--|--|--|--|--|--|--|--|--|--|--|--|--|--|
| | | | | | | | | | | | | | |
| | | | | | | | | | | | | | |
| | | | | | | | | | | | | | |

Second Paver

| | | | | | | | | | | | | | |
|--|--|--|--|--|--|--|--|--|--|--|--|--|--|
| | | | | | | | | | | | | | |
| | | | | | | | | | | | | | |
| | | | | | | | | | | | | | |

Payment Method

| | | | |
|--|------------------------------------|--|----------------------------------|
| Money Order <input type="checkbox"/> | Cheque <input type="checkbox"/> | Direct Deposit <input type="checkbox"/> | Cash <input type="checkbox"/> |
| Cheques and Money Orders payable to: Australian Air Defence Artillery Association Post to: AADAA Villa 9/4 Fradd Road ANGLE VALE SA 5117 | | Direct Debit BSB: 085180 Acc #: 828503441 Ensure your name is entered as Payee, and reference to a paver purchase. | |

For other paver configurations, give us a call on 0437 008 569 or email memorialpaver@aadaa.asn.au

Other configurations include triples, 300cm x 300cm singles, and inclusion of certain logos such as the Rising Sun, Unit Logos etc. Call us to discuss your requirements.



Regimental Publications Index

Liaison Letter

| <i>Ser</i> | <i>Title</i> |
|------------|---|
| 1 | Director Royal Artillery Technical Liaison Letter 1/48+ |
| 2 | Director Royal Artillery Liaison Letter – 3 June 1954# |
| 3 | Director Royal Artillery Liaison Letter – 18 October 1954+ |
| 4 | Director Royal Artillery Liaison Letter – 24 November 1954+ |
| 5 | Director Royal Artillery Liaison Letter – February 1955+ |
| 6 | Director Royal Artillery Liaison Letter – 31 May 1955+ |
| 7 | Director Royal Artillery Liaison Letter – 30 September 1955# |
| 8 | Director Royal Artillery Liaison Letter – 20 January 1956+ |
| 9 | Director Royal Artillery Liaison Letter – 18 June 1956+ |
| 10 | Director Royal Artillery Liaison Letter – 26 November 1956# |
| 12 | Director Royal Australia Artillery Liaison Letter – 24 February 1957+ |
| 13 | Director Royal Artillery Liaison Letter – 26 November 1957# |
| 14 | Director Royal Artillery Liaison Letter – 30 April 1958# |
| 15 | Director Royal Artillery Liaison Letter – 28 November 1958+ |
| 16 | Director Royal Artillery Liaison Letter – 17 June 1959+ |
| 17 | Director Royal Artillery Liaison Letter – January 1960# |
| 18 | Director Royal Artillery Liaison Letter – 29 July 1960# |
| 19 | Director Royal Artillery Liaison Letter – 17 February 1961# |
| 20 | Director Royal Artillery Liaison Letter – 6 November 1961+ |
| 21 | Director Royal Artillery Liaison Letter – July 1962# |
| 22 | Director Royal Artillery Liaison Letter – October 1962# |
| 23 | Director Royal Artillery Liaison Letter – February 1971# |
| 24 | Director Royal Artillery Liaison Letter – September 1972# |
| 25 | Royal Australian Artillery Liaison Letter – February 1973# |
| 26 | Royal Australian Artillery Liaison Letter – September 1973# |
| 27 | Royal Australian Artillery Liaison Letter – March 1974# |
| 28 | Royal Australian Artillery Liaison Letter – September 1974# |
| 29 | Royal Australian Artillery Liaison Letter – March 1975# |
| 30 | Royal Australian Artillery Liaison Letter – September 1975# |
| 31 | Royal Australian Artillery Liaison Letter – March 1976# |
| 32 | Royal Australian Artillery Liaison Letter – September 1976# |
| 33 | Royal Australian Artillery Liaison Letter – March 1977# |
| 34 | Royal Australian Artillery Liaison Letter – September 1977# |
| 35 | Royal Australian Artillery Personnel Notes – October 1977# |
| 36 | Royal Australian Artillery Liaison Letter – May 1978# |
| 37 | Royal Australian Artillery Personnel Notes – 1978# |
| 38 | Royal Australian Artillery Liaison Letter – March 1980@ |
| 39 | Royal Australian Artillery Liaison Letter – December 1980@ |
| 40 | Royal Australian Artillery Liaison Letter – May 1981@ |

| <i>Ser</i> | <i>Title</i> |
|------------|--|
| 41 | Royal Australian Artillery Liaison Letter – November 1981@ |
| 42 | Royal Australian Artillery Liaison Letter – 1982 (Issue One)@ |
| 43 | Royal Australian Artillery Liaison Letter – 1983 (Issue One)@ |
| <i>Ser</i> | <i>Title</i> |
| 44 | Royal Australian Artillery Liaison Letter – 1983 (Issue Two)@ |
| 45 | Royal Australian Artillery Liaison Letter – 1984 (Issue Four)@ |
| 46 | Royal Australian Artillery Liaison Letter – 1986 (Issue One)# |
| 47 | Royal Australian Artillery Liaison Letter – 1986 (Issue Two) – 4 November 1986# |
| 48 | Royal Australian Artillery Liaison Letter – Issue One – 1987 – 18 June 1987# |
| 49 | Royal Australian Artillery Liaison Letter – Issue Two – 1987 – 11 November 1987# |
| 50 | Royal Australian Artillery Liaison Letter – Edition 1 – 1988 – 23 June 1988# |
| 51 | Royal Australian Artillery Liaison Letter – Edition 2 – 1988 – 14 November 1988# |
| 44 | Royal Australian Artillery Liaison Letter – Edition 1 – 1989# |
| 45 | Royal Australian Artillery Liaison Letter – Edition 2 – 1989# |
| 46 | Royal Australian Artillery Liaison Letter – Edition 1 – 1990# |
| 47 | Royal Australian Artillery Liaison Letter – Edition 2 – 1990# |
| 48 | Royal Australian Artillery Liaison Letter – Edition 1 – 1991# |
| 49 | Royal Australian Artillery Liaison Letter – 1992 – First Edition# |
| 50 | Royal Australian Artillery Liaison Letter – 1992 – Second Edition# |
| 51 | Royal Australian Artillery – August 1993 – Liaison Letter# |
| 52 | Royal Australian Artillery Liaison Letter – 1996 – First Edition# |
| 53 | Royal Australian Artillery Liaison Letter – 1996 – Second Edition# |
| 54 | 1997 – Royal Australian Artillery Liaison Letter# |
| 55 | 1998–99 RAA Liaison Letter+ |
| 56 | RAA Liaison Letter – 2000+ |
| 57 | RAA Liaison Letter – 2001+ |
| 58 | RAA Liaison Letter – 2002+ |
| 59 | RAA Liaison Letter 2003 – Autumn Edition+ |
| 60 | RAA Liaison Letter 2003 – Spring Edition+ |
| 61 | Royal Australian Artillery Liaison Letter 2004 – Autumn Edition+ |
| 62 | Royal Australian Artillery Liaison Letter 2004 – Spring Edition+ |
| 63 | Royal Australian Artillery Liaison Letter 2005 – Autumn Edition+ |
| 64 | Royal Australian Artillery Liaison Letter 2005 – Spring Edition+ |
| 65 | Royal Australian Artillery Liaison Letter 2006 – Autumn Edition+ |

| <i>Ser</i> | <i>Title</i> |
|------------|--|
| 66 | Royal Australian Artillery Liaison Letter 2006 – Spring Edition+ |
| 67 | Royal Australian Artillery Liaison Letter 2007 – Autumn Edition+ |
| 68 | Royal Australian Artillery Liaison Letter 2007 – Spring Edition+ |
| 69 | Royal Australian Artillery Liaison Letter 2008 – Autumn Edition+ |
| 70 | Royal Australian Artillery Liaison Letter 2008 – Spring Edition+ |
| 71 | Royal Australian Artillery Liaison Letter 2009 – Autumn Edition+ |
| 72 | Royal Australian Artillery Liaison Letter 2009 – Spring Edition+ |
| 73 | Royal Australian Artillery Liaison Letter 2010 – Autumn Edition+ |
| 74 | Royal Australian Artillery Liaison Letter 2010 – Spring Edition+ |
| 75 | Royal Australian Artillery Liaison Letter 2011 – Autumn Edition+ |
| 76 | Royal Australian Artillery Liaison Letter 2011 – Spring Edition+ |
| 77 | Royal Australian Artillery Liaison Letter 2012 – Autumn Edition+ |
| 78 | Royal Australian Artillery Liaison Letter 2012 – Spring Edition+ |
| 79 | Royal Australian Artillery Liaison Letter 2013 – Autumn Edition+ |
| 80 | Royal Australian Artillery Liaison Letter 2013 – Spring Edition+ |
| 81 | Royal Australian Artillery Liaison Letter 2014 – Autumn Edition+ |
| 82 | Royal Australian Artillery Liaison Letter 2014 – Spring Edition+ |
| 83 | Royal Australian Artillery Liaison Letter 2015 – Autumn Edition+ |
| 84 | Royal Australian Artillery Liaison Letter 2015 – Spring Edition+ |
| 85 | Royal Australian Artillery Liaison Letter 2016 – Autumn Edition+ |

Australian Gunner Magazine

| <i>Ser</i> | <i>Title</i> |
|------------|--|
| 1 | Australian Gunner – Vol. 1 No. 1* |
| 2 | Australian Gunner – Vol. 1.No. 2* |
| 3 | Australian Gunner – Vol. 2 No.1 – September 1979* |
| 4 | Australian Gunner – March 1980* |
| 5 | Australian Gunner – December 1980* |
| 6 | Australian Gunner – May 81* |
| 7 | Australian Gunner – November 81* |
| 8 | Australian Gunner – The Official Journal of the Royal Regiment of Australian Artillery – March 1997* |

Miscellaneous Regimental Publications

| <i>Ser</i> | <i>Title</i> |
|------------|--|
| 1 | DARTY Personnel Notes – December 1969# |
| 2 | Royal Australian Artillery Personnel Notes – 1978# |

Note:

*Copy held by SO to HOR

Copy held by Puckapunyal Area Library

+ Copy held by HOR at School of Artillery

@ Not available to HOR at School of Artillery

RAAHC

NEEDS YOUR SUPPORT



The Royal Australian Artillery Historical Company needs Your Help to Support the Preservation and Promotion of Artillery History and Heritage and the Management of the Regiments Collection Nationally



How Much Does It Cost?

\$30.00 (1 year), or \$120 (5 years)

All Gunners and friends of the Regiment are invited to join



What You Get In Return?

RAA Liaison Letter and Cannonball twice annually

Free access to the Artillery Museum (temporarily closed) and most other museums in the Australian Army Museum network

Use of the Artillery Museum's library resources

Personal satisfaction in supporting the preservation of Artillery heritage



How Does The Company Benefit?

They can add your weight to the membership numbers when seeking grants and other assistance from public and non-public sources

Your subscription assists with ongoing administration costs



How Do You Join?

A membership form can be found in this publication

Submit a form and start supporting a very worthwhile cause



RAAHC THANKS YOU FOR YOUR SUPPORT